

2005 Cadillac Truck SRX 2WD V6-3.6L VIN 7

Vehicle Level → Instrument Panel, Gauges and Warning Indicators → Cigarette Lighter → Service and Repair ←

Service and Repair

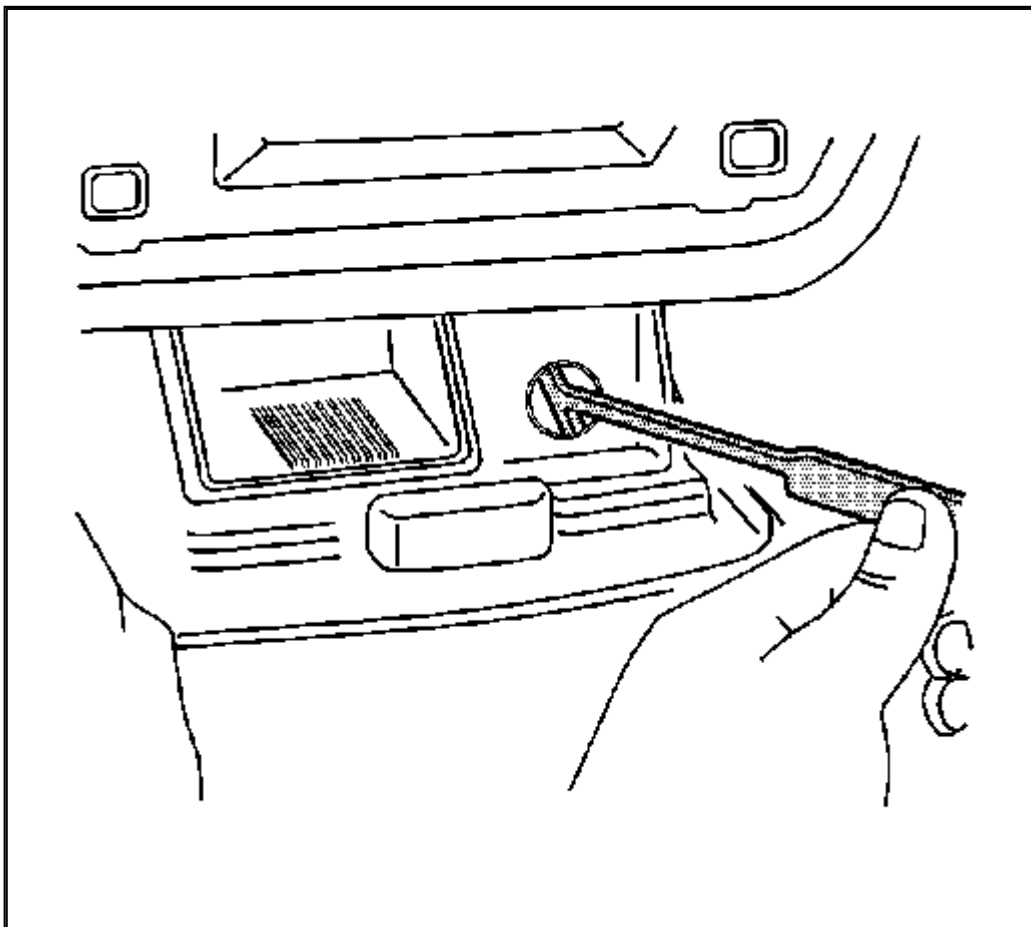
[Notes](#)

CIGAR LIGHTER HOUSING OR 12 VOLT ACCESSORY POWER RECEPTACLE REPLACEMENT

TOOLS REQUIRED

J 42059 Cigar Lighter Socket Remover

REMOVAL PROCEDURE

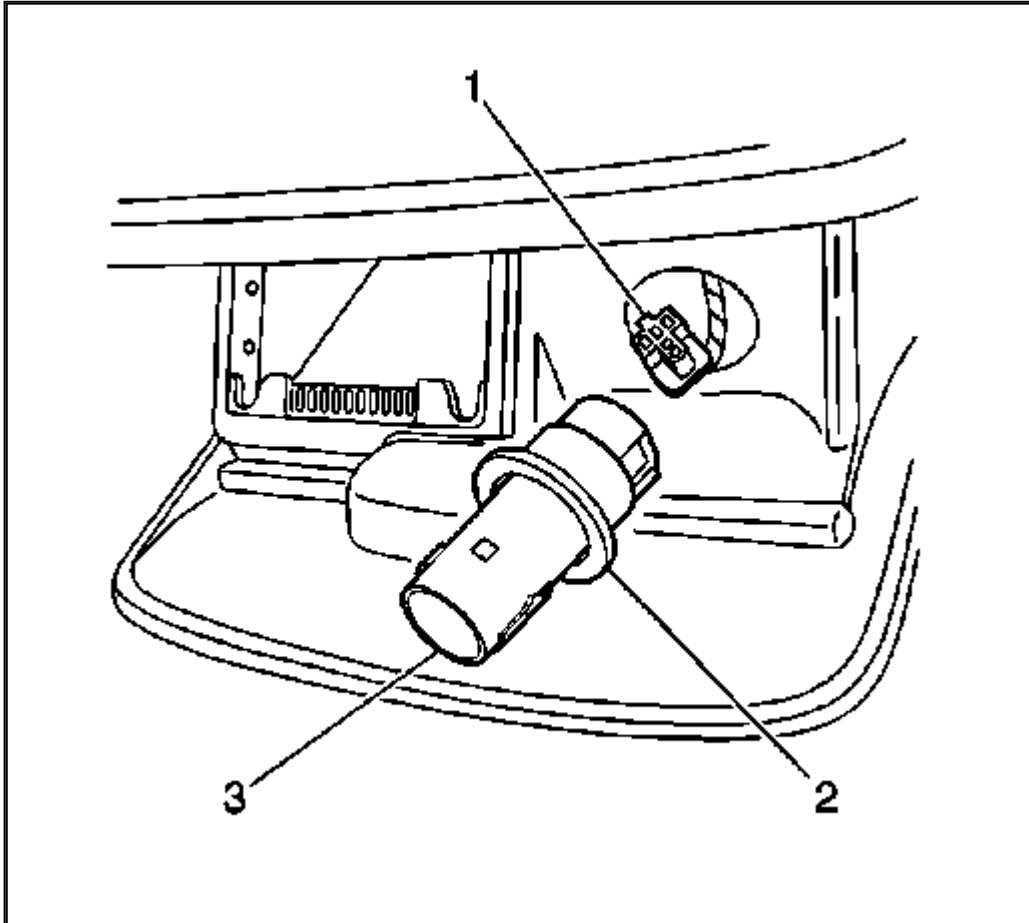


Zoom

Sized for Print

1. Remove the cigar lighter fuse.

2. Remove the cigar lighter element.
3. Remove the cigar lighter housing by placing one side of the T portion of J 42059 into the tab window and the other side into the opposite tab window. Pull the lighter housing straight out.
4. Remove the tool from the lighter housing.



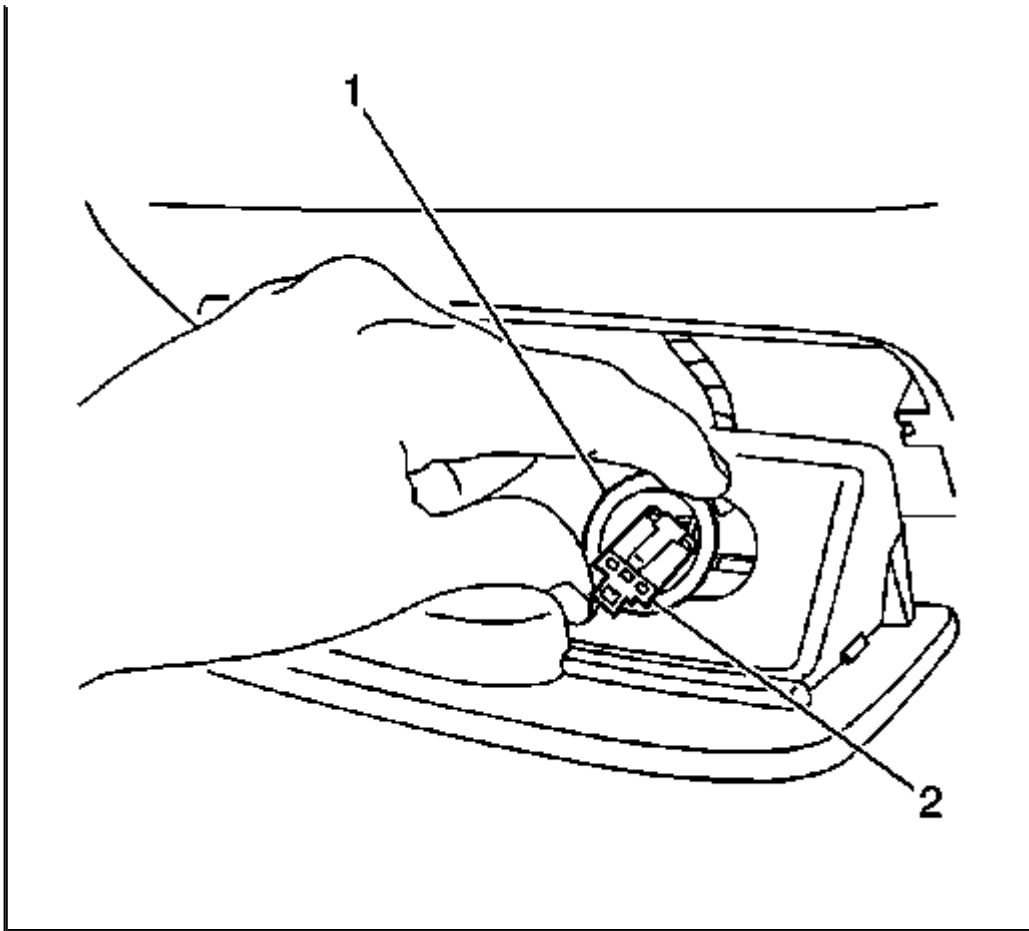
Zoom

Sized for Print

5. Pull the housing (3) and the retainer (2) out of the ash tray.
6. Disconnect the electrical connector (1) from the housing.
7. Remove the retainer from the housing.

INSTALLATION PROCEDURE



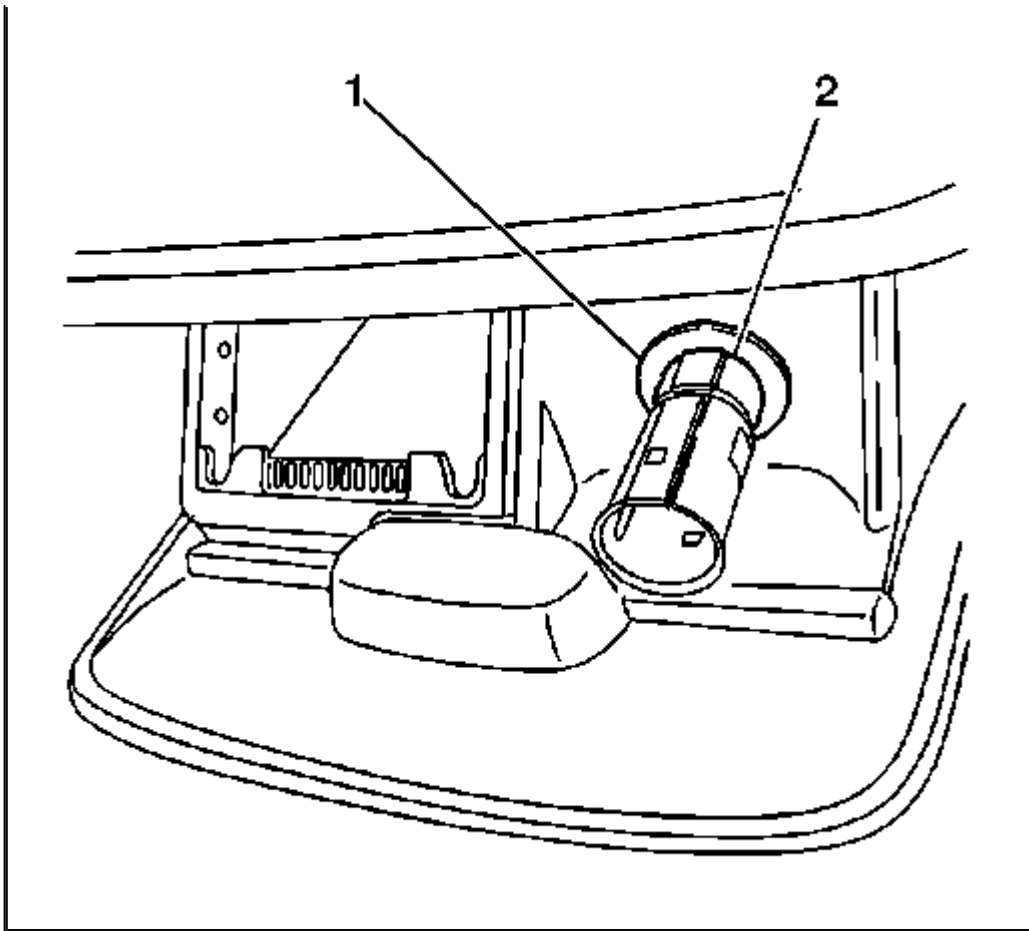


Zoom

Sized for Print

1. Install the cigar lighter retainer (1) to the ash tray, by pressing the retainer into place until fully seated.
2. Connect the electrical connector (2) to the retainer.

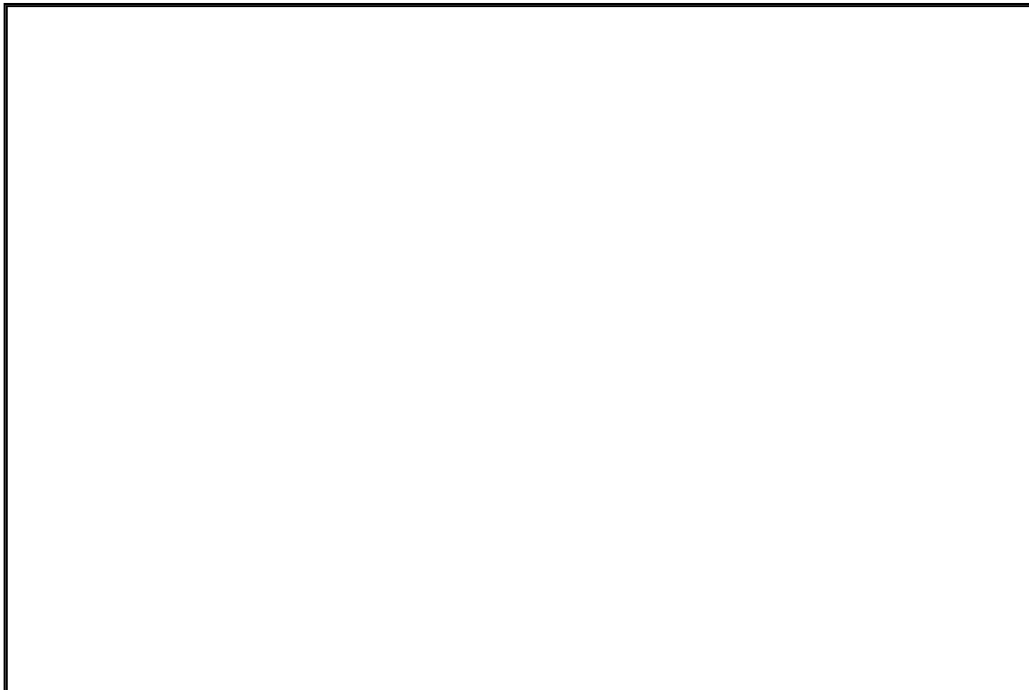


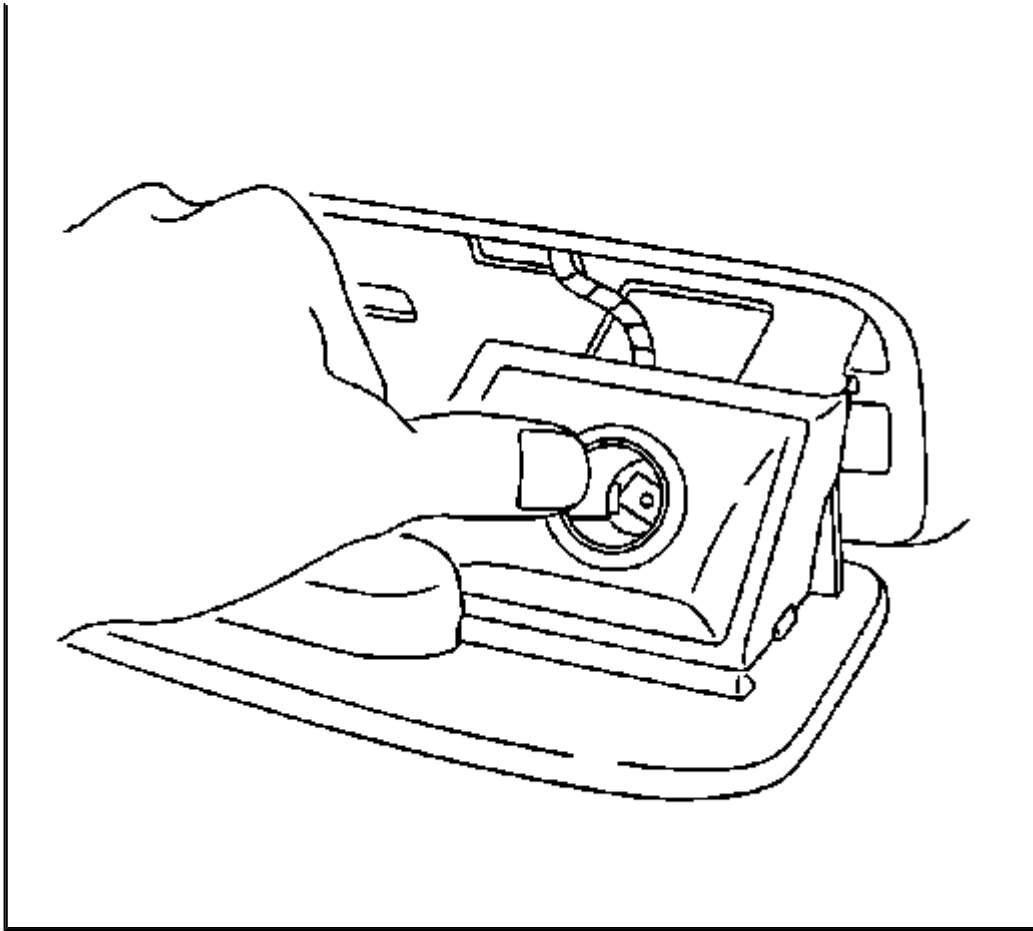


Zoom

Sized for Print

3. Align the housing (2) key way, to the key slot in the retainer ring (1).





Zoom

Sized for Print

4. Press the housing into place until the housing is fully seated.
5. Install the cigar lighter fuse.
6. Install the cigar lighter element.

© 2010 ALLDATA LLC. All rights reserved.
[Terms of Use](#)