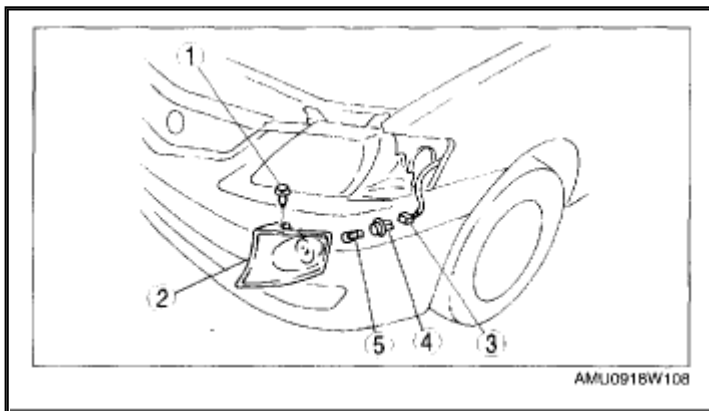


2002 Mazda Truck MPV V6-3.0L DOHC

Vehicle Level → Lighting and Horns → Headlamp → Service and Repair → Front Combination Light ←

Front Combination Light[Notes](#)**FRONT COMBINATION LIGHT REMOVAL/INSTALLATION**

1. Disconnect the negative battery cable.



Zoom

Sized for Print

2. Remove in the order indicated below.

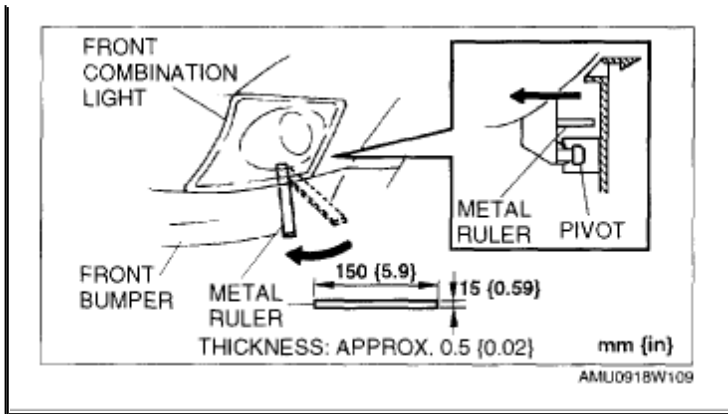
1. Fastener
2. Front combination light (See Front Combination Light Removal Note)
3. Connector
4. Socket
5. Front turn light/side marker light bulb

3. Install in the reverse order of removal.

Front Combination Light Removal Note

CAUTION: To prevent the front combination light and bumper from being scratched, attach protective tape to the metal ruler and the bumper.





Zoom

Sized for Print

1. Insert a **15 mm {0.59 in}** maximum width metal ruler into the end of the front combination light approximately **75 - 80 mm {3.0 - 3.1 in}** . Rotate the metal ruler towards the front of the vehicle and remove the front combination light.