

Select Vehicle | New TSBs | Technician's Reference Component Search:

OK

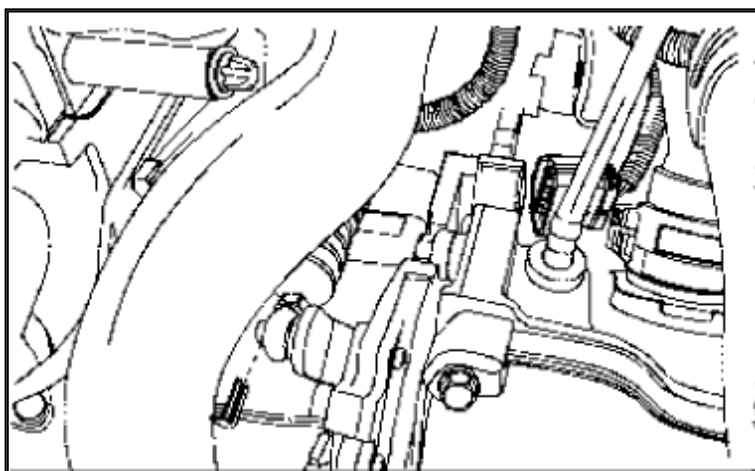
Conversion Calculator

**2006 Suzuki Forenza L4-2.0L**

Vehicle Level → Transmission and Drivetrain → Sensors and Switches - Transmission and Drivetrain  
→ Sensors and Switches - A/T → Transmission Position Switch/Sensor → Service and Repair ←

**Service and Repair**[Notes](#)**Park/Neutral Start Switch Removal and Installation****Removal**

1. Disconnect the negative battery cable.
2. Disconnect the park/neutral position switch electrical connector.

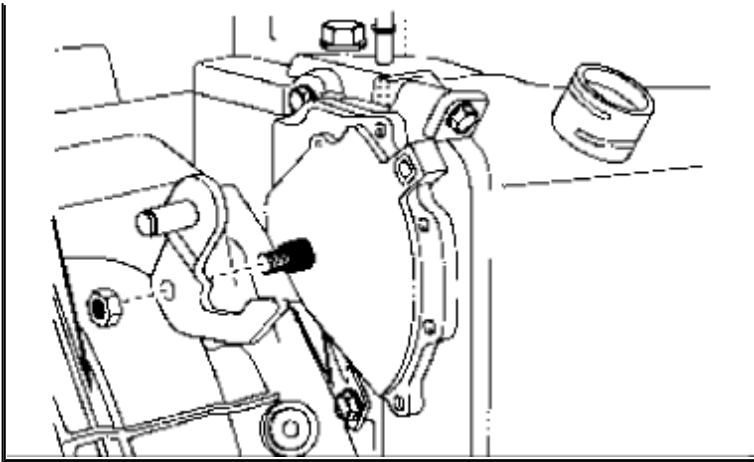


Zoom

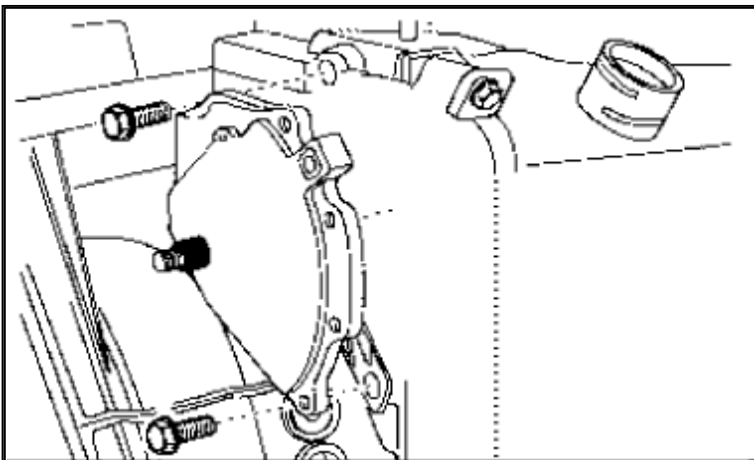
Sized for Print

3. Disconnect the shift control cable and the retaining clip.



[Zoom](#)[Sized for Print](#)

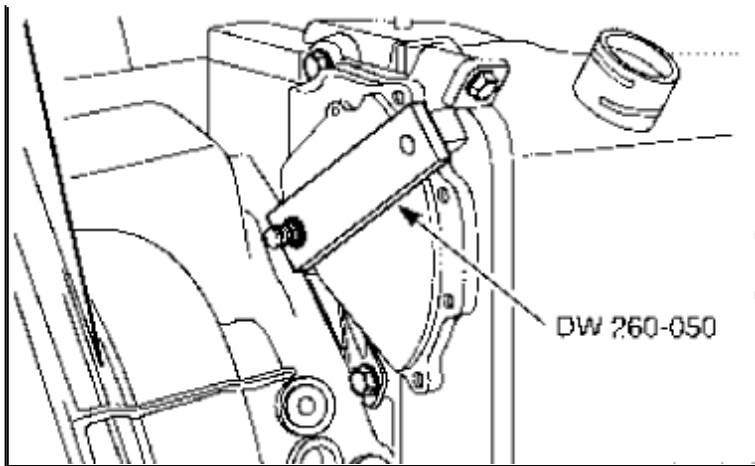
4. Remove the shift lever nut and the shift lever.

[Zoom](#)[Sized for Print](#)

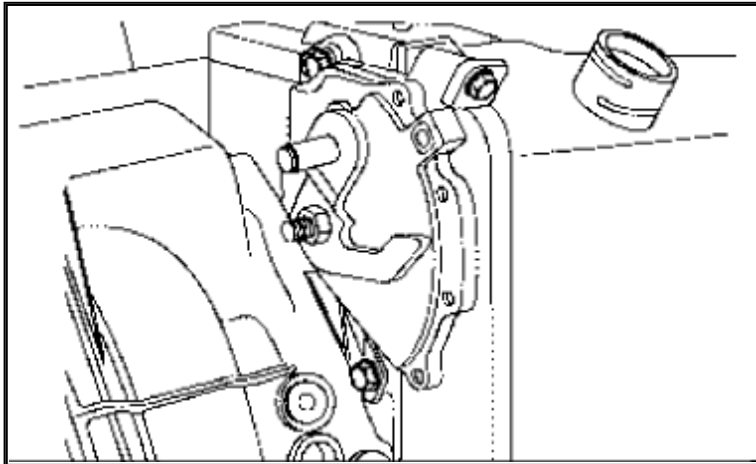
5. Remove the park/neutral start switch. **Installation Tools Required:** DW260-050 P/N Switch Installer

1. Install the park/neutral start switch.
  - Tighten the bolts to **10 Nm (89 inch lbs.)**.

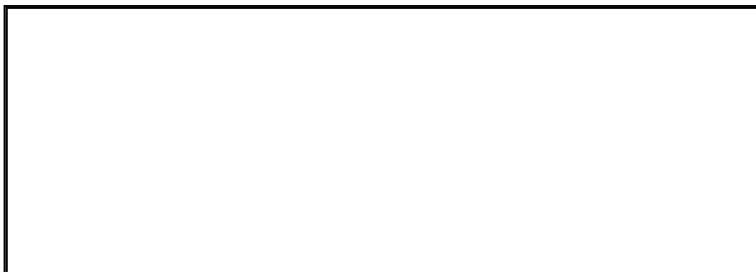


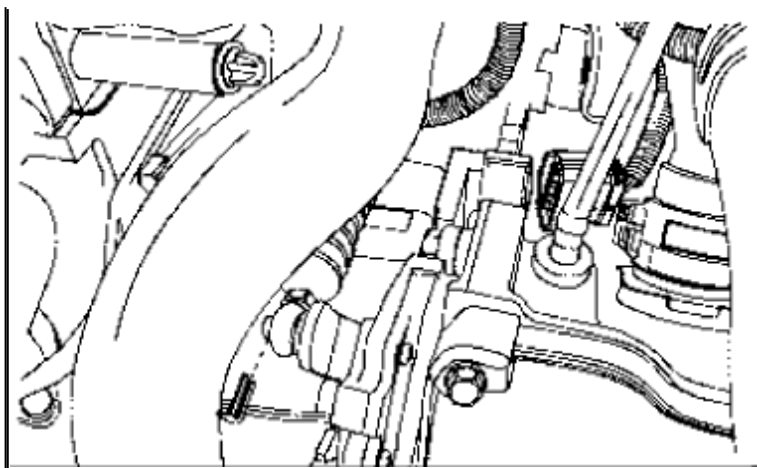
[Zoom](#)[Sized for Print](#)

2. Adjust the park/neutral switch using the P/N switch installer DW260-050.

[Zoom](#)[Sized for Print](#)

3. Install the shift lever and the shift lever nut.
  - Tighten the shift lever nut to **10 Nm (89 inch lbs.)** .
4. Connect the shift control cable and the retaining clip.
5. Connect the park/neutral position switch electrical connector.





Zoom

Sized for Print

6. Connect the negative battery cable.

© 2010 ALLDATA LLC. All rights reserved.  
[Terms of Use](#)