

**2004 GMC Truck Yukon XL 2500 4WD V8-6.0L VIN U**

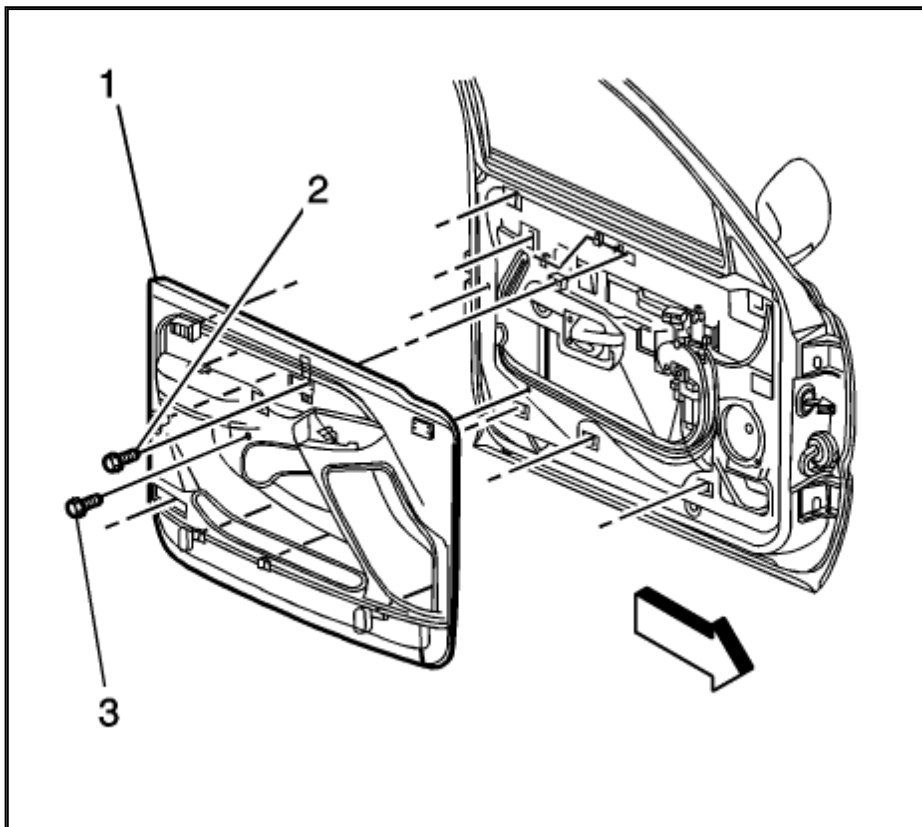
Vehicle Level → [Body and Frame](#) → [Doors, Hood and Trunk](#) → [Front Door Panel](#) → [Service and Repair](#)  
→ [Front Door Panel Replacement](#) → [Trim Panel Replacement - Side Front Door \(With YE9 Early Production\)](#) ←

**Trim Panel Replacement - Side Front Door (With YE9 Early Production)**

[Notes](#)

[Trim Panel Replacement - Side Front Door \(With YE9 Early Production\)](#)

**Removal Procedure**



Zoom

Sized for Print

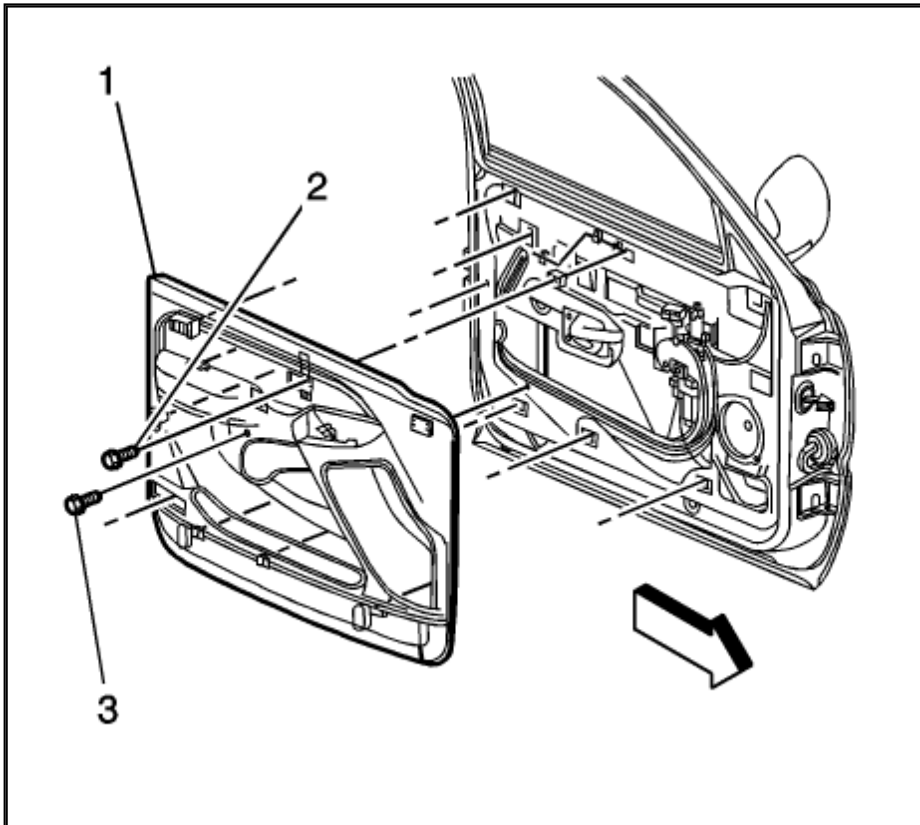
1. Remove the door handle bezel.
2. Remove the door [trim panel](#) upper extension.
3. Using a suitable flat-bladed tool, gently pry the manual lock lever from the door [trim panel](#).
4. Remove the [trim panel](#) screws.
  - Remove the screw (2) from within the opening where the manual door

lock lever resides.

- Remove the screw (3) from the opening in front of the armrest.

5. Carefully slide the [trim panel](#) up in order to release the retainers from the door.
6. Disconnect the electrical connectors.

### Installation Procedure



Zoom

Sized for Print

1. Connect the electrical connectors.
  2. Carefully align the panel, and slide the panel into the retainer slots in order to install the [trim panel](#) to the door. **Notice:** Refer to Fastener Notice in Service Precautions.
  3. Install the [trim panel](#) screws (2,3). **Tighten the [trim panel](#) screws (2,3) to 2 N.m (18 lb in).**
  4. Install the manual lock lever to the [trim panel](#).
1. Align the manual lock lever to the opening in the door [trim panel](#).
  2. Push inward until the manual lock lever is fully seated into the [trim panel](#).
5. Install the door [trim panel](#) upper extension.
  6. Install the door handle bezel.

© 2010 ALLDATA LLC. All rights reserved.  
[Terms of Use](#)