

2007 Acura TL V6-3.2L

Vehicle Level → Body and Frame → Interior Moulding / Trim → Console → Service and Repair → Center Console Rear Section ←

Center Console Rear Section

[Notes](#)

Center Console Rear Section Removal/Installation

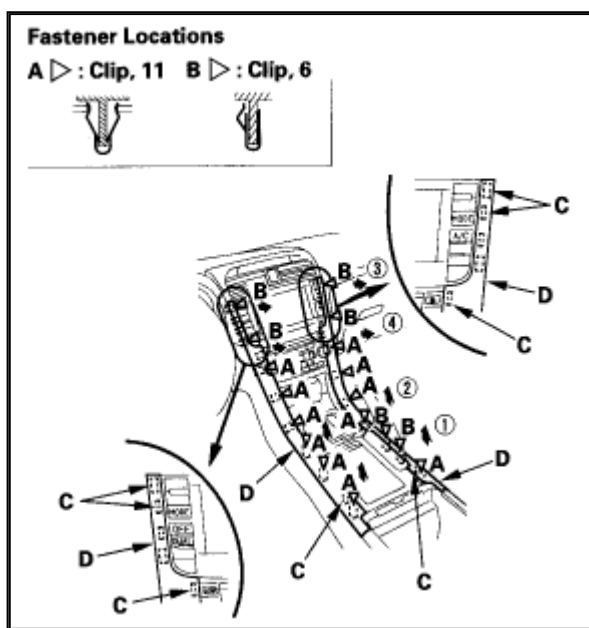
Special Tools Required

KTC trim tool set SOJATP2014 *

* Available through the American Honda Tool and Equipment Program.

NOTE:

- Use the appropriate tool from the KTC trim tool set to avoid damage when removing components.
- Take care not to scratch the front seat, dashboard, and related parts.

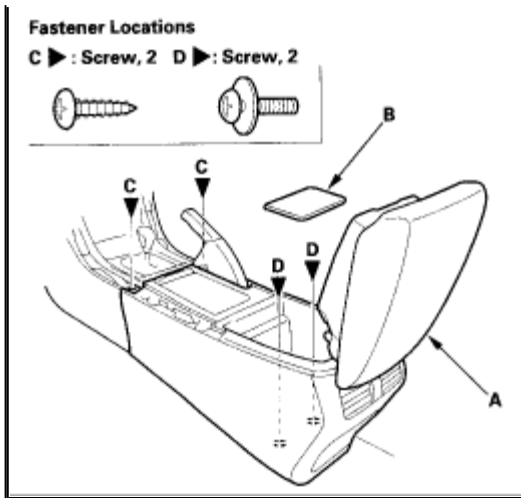


Zoom

Sized for Print

1. Detach the clips (A, B), and release the hooks (C) by pulling the center console trim (D) from both sides.

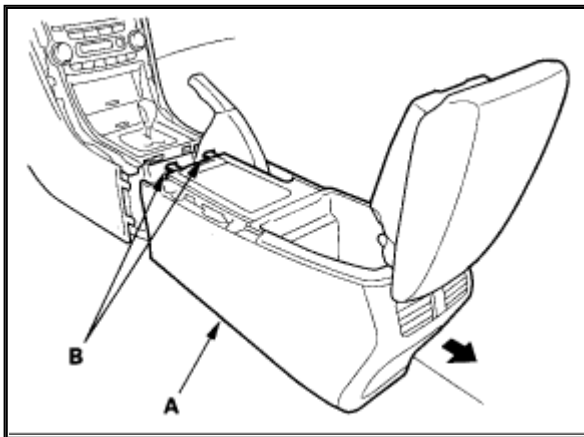




Zoom

Sized for Print

2. Open the console box lid (A) then remove the console mat (B) and screws (C, D).

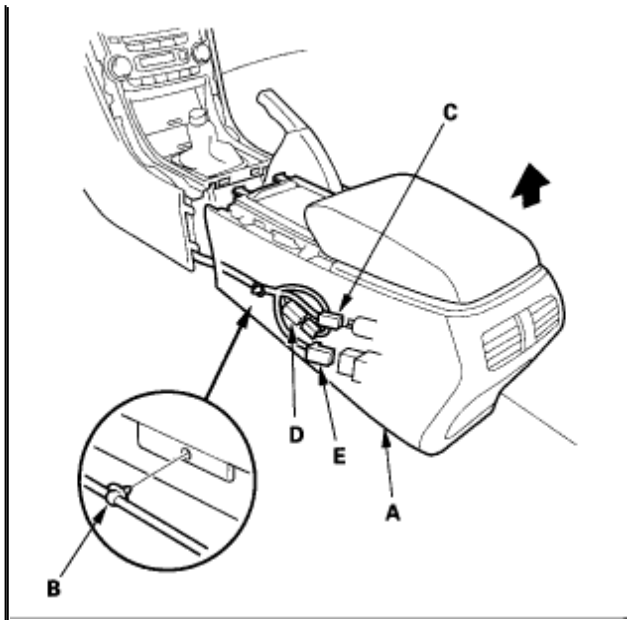


Zoom

Sized for Print

3. Slide the rear section of the center console (A) rearward to release the hooks (B).



[Zoom](#)[Sized for Print](#)

4. Lift up the rear of the console (A). Release the harness retainer clip (B) from the air duct, and disconnect the console accessory power socket connector (C), the light bulb socket connector (D), and the AUX connector (E), then remove the rear section of the center console.
5. Install the console in the reverse order of removal, and note these items:
 - Check if the clips are damaged or stress-whitened, and if necessary, replace them with new ones.
 - Push the clips into place securely.
 - Make sure the console accessory power socket connector and the AUX connector are plugged in properly, and the light bulb socket is connected securely.

© 2010 ALLDATA LLC. All rights reserved.

[Terms of Use](#)