

**2000 Chevy Truck S10/T10 Blazer 4WD V6-4.3L VIN W**

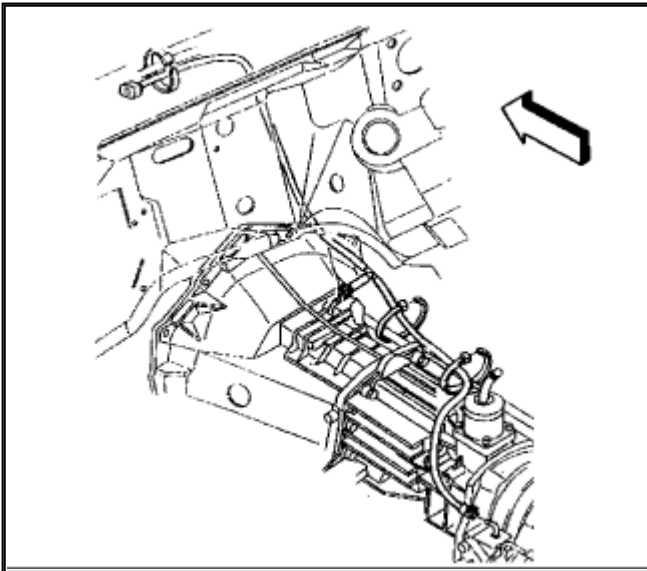
[Vehicle Level](#) → [Transmission and Drivetrain](#) → [Transfer Case](#) → [Service and Repair](#) → [NVG 233/243-NP1](#)
→ [Transfer Case Replacement](#) ←

Transfer Case Replacement

[Notes](#)

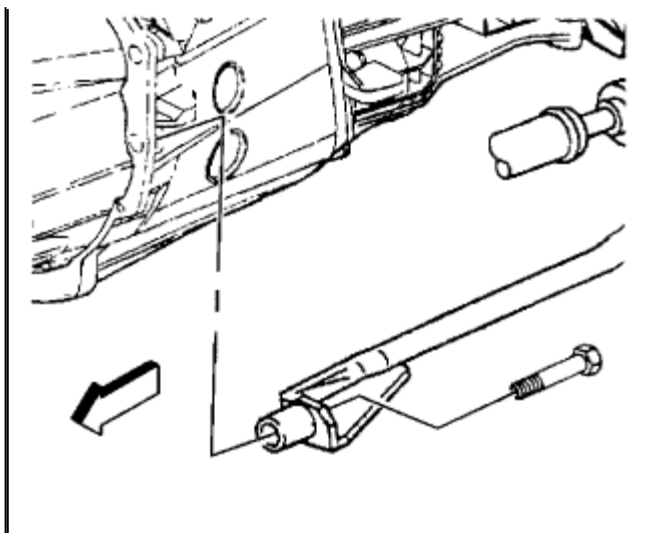
Removal Procedure

1. Raise the vehicle. Refer to Vehicle Lifting.
2. Remove the front propeller shaft. Refer to Propeller Shaft Replacement-Front.
3. Remove the rear propeller shaft. Refer to Propeller Shaft Replacement-Rear.
4. Remove the vent hose from the transfer case.
5. Disconnect the vehicle speed sensor electrical connectors.
6. Remove the electrical connectors from the transfer case motor/encoder.

[Zoom](#)[Sized for Print](#)

7. Remove any [wiring harness](#) from the transfer case.
8. Support the transfer case with a transmission jack.

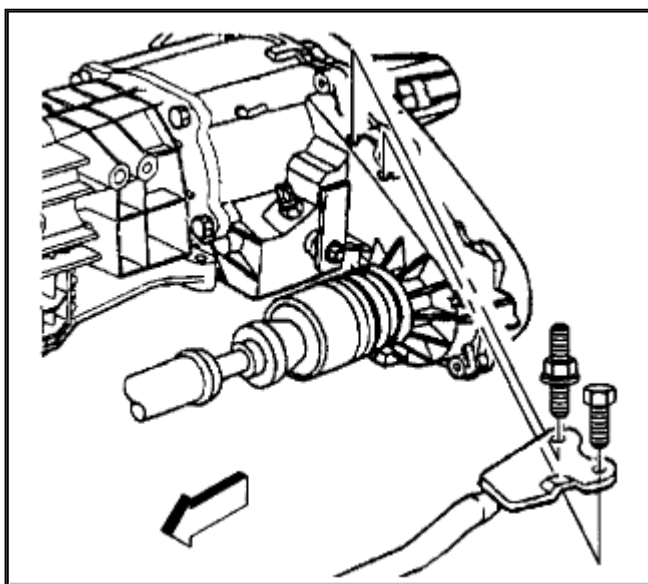




Zoom

Sized for Print

9. If equipped with a manual transmission, remove the bolt securing the left side support brace to the transmission.

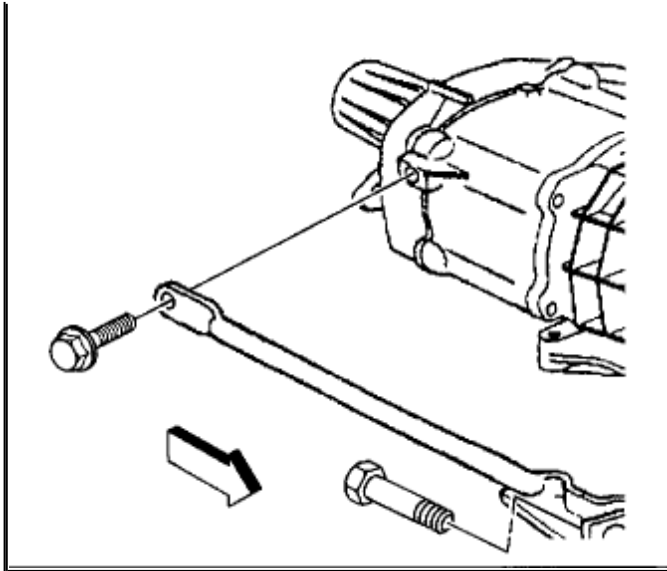


Zoom

Sized for Print

10. If equipped with a manual transmission, remove the bolt and stud securing the left side support brace to the transfer case.

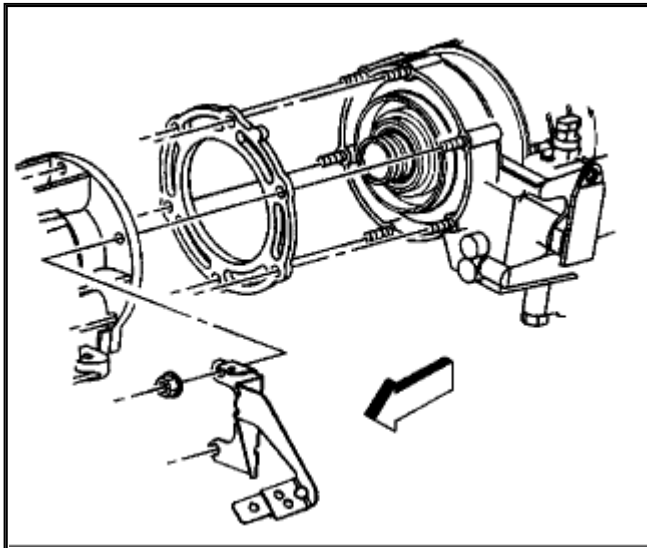




Zoom

Sized for Print

11. If equipped with a manual transmission, remove the two bolts securing the right side support brace to the transmission and transfer case.
12. For vehicles equipped with a manual transmission, remove the six nuts securing the transfer case and bracket to the transmission.

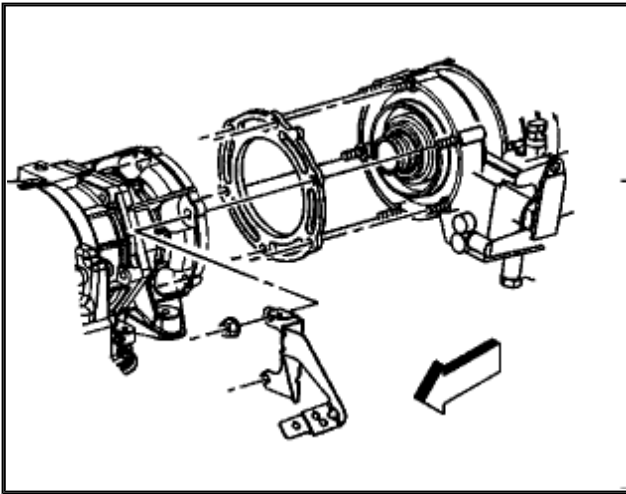


Zoom

Sized for Print

13. Remove the transfer case.
 - Start by pulling the transfer case straight back from the transmission.
 - After the transfer case is pulled out from the transmission turn and lower the transfer case.

14. For vehicles equipped with a automatic transmission, remove the six nuts securing the transfer case and bracket to the transmission adapter.



Zoom

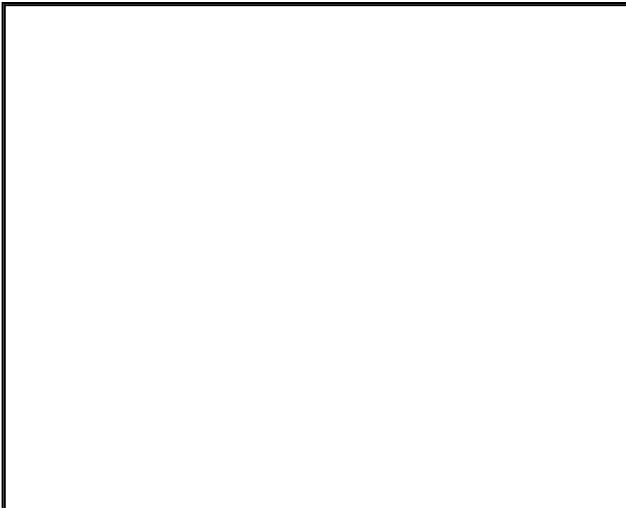
Sized for Print

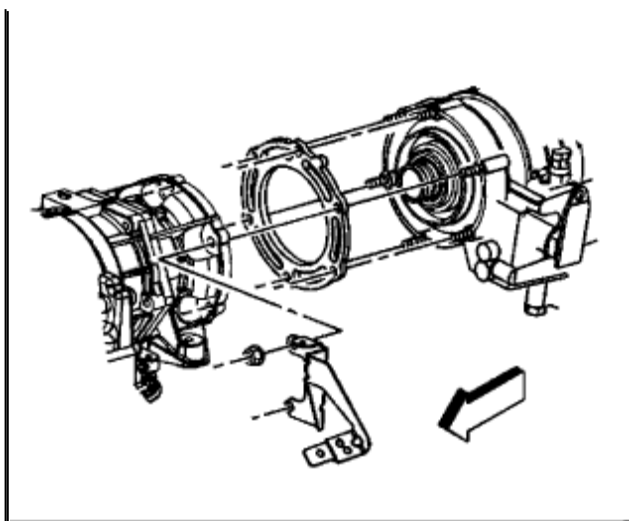
15. Remove the transfer case.
 - Start by pulling the transfer case straight back from the transmission.
 - After the transfer case is pulled out from the transmission turn and lower the transfer case.

16. Remove and discard the gasket.

Installation Procedure

1. Install a new gasket to the transmission. Use sealer GM P/N 12346004 in order to hold the gasket in place.
2. Raise and position the transfer case to the vehicle **Notice:** Refer to Fastener Notice in Service Precautions.



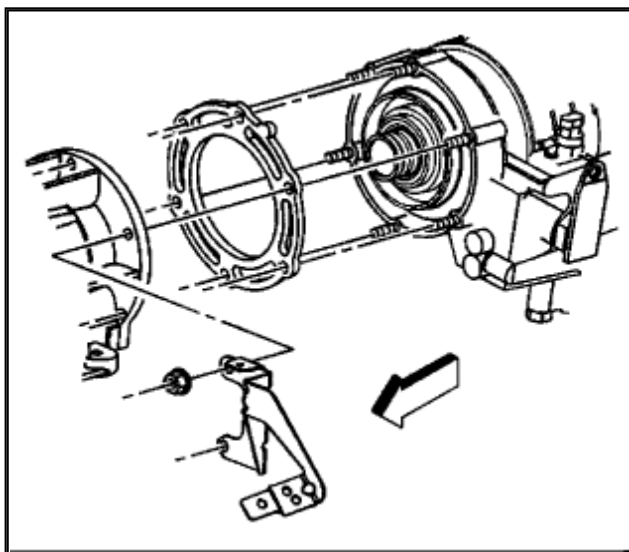


Zoom

Sized for Print

3. For vehicles equipped with a automatic transmission, install the six nuts securing the transfer case and bracket to the transmission adapter.

- Tighten the nuts to **47 Nm (35 lb ft)** .



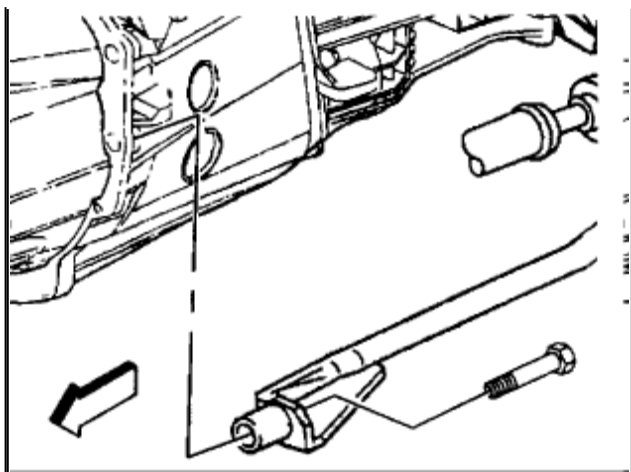
Zoom

Sized for Print

4. For vehicles equipped with a manual transmission, install the six nuts securing the transfer case and bracket to the transmission.

- Tighten the nuts to **47 Nm (35 lb ft)** .



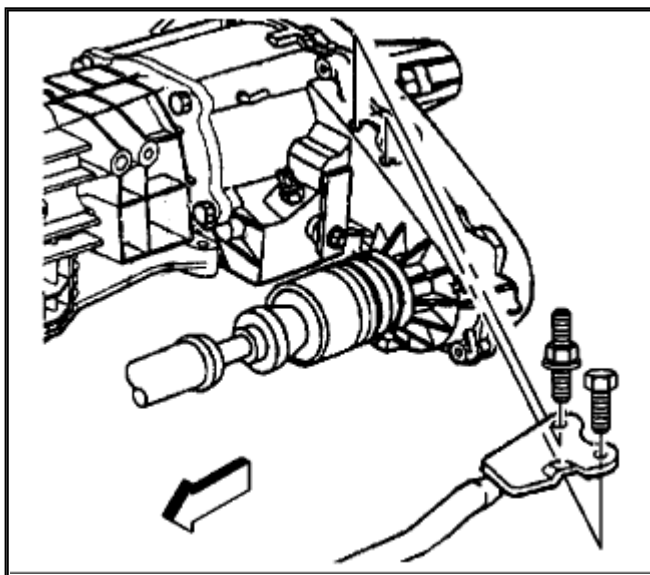


Zoom

Sized for Print

5. If equipped with a manual transmission, install the bolt securing the left side support brace to the transmission.

- Tighten the bolt to **47 Nm (35 lb ft)** .



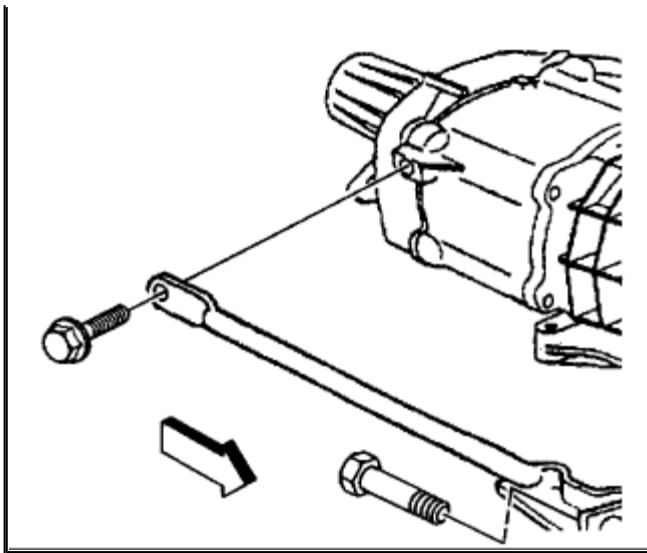
Zoom

Sized for Print

6. If equipped with a manual transmission, install the bolt and stud securing the left side support brace to the transfer case.

- Tighten the bolt and stud to **47 Nm (35 lb ft)** .



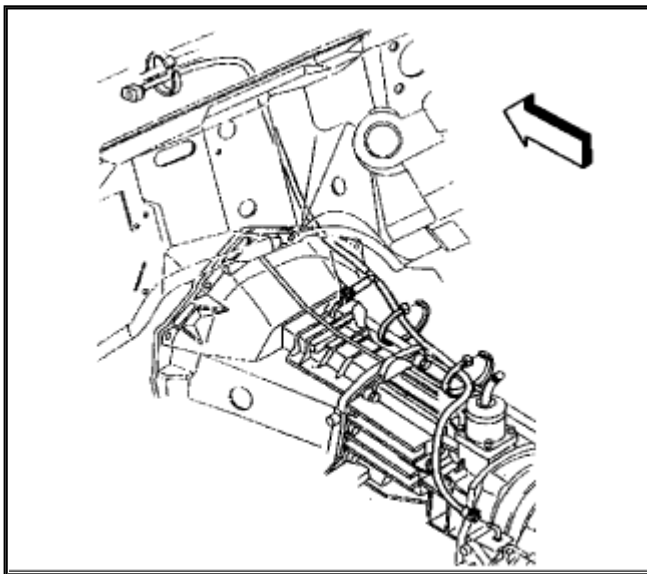


Zoom

Sized for Print

7. If equipped with a manual transmission, install the two bolts securing the right side support brace to the transmission and transfer case.

- Tighten the bolts to **47 Nm (35 lb ft)** .



Zoom

Sized for Print

8. Install the vent hose to the transfer case.
9. Check the transfer case oil level. Refer to Oil Replacement.
10. Connect the [speed sensor](#) electrical connectors.
11. Install the electrical connectors to the transfer case motor/encoder.
12. Install any [wiring harness](#) to the transfer case.
13. Install the rear propeller shaft. to Propeller Shaft Replacement-Rear.

14. Install the front propeller shaft. Refer to Propeller Shaft Replacement-Front.
15. Lower the vehicle.

© 2010 ALLDATA LLC. All rights reserved.
[Terms of Use](#)