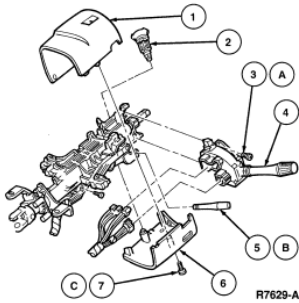


Cluster Finish Panel

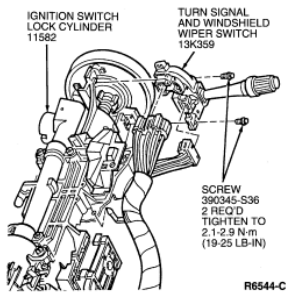
Removal and Installation

1. Disconnect positive battery cable.
2. Engage parking brake.
3. Remove ignition switch lock cylinder .
4. If equipped with tilt column, tilt column to full down position and remove tilt wheel handle and shank (3F609) .



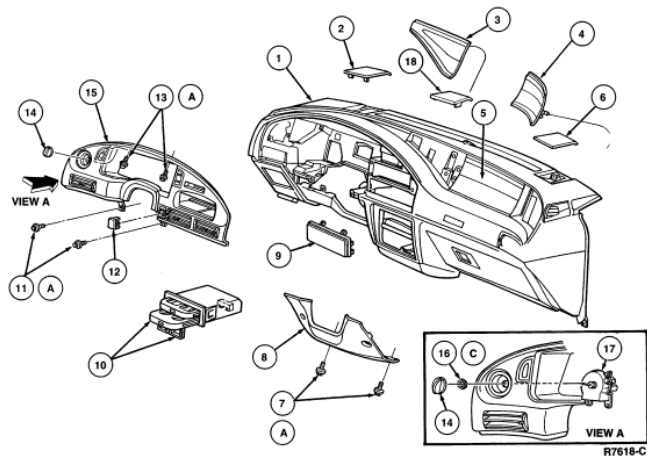
Item	Part Number	Description
1	3530	Steering Column Shroud
2	11582	Ignition Switch Lock Cylinder
3A	390345-S36	Screw (2 Req'd)
4	13K359	Turn Signal and Windshield Wiper Switch
5B	3F609	Tilt Wheel Handle and Shank
6	3530	Steering Column Shroud-Lower
7C	55929-S2	Screw (3 Req'd)
A		Tighten to 2.1-2.9 Nm (19-25 Lb-In)
B		Tighten to 3.5-5 Nm (31-44 Lb-In)
C		Tighten to 0.6-1.1 Nm (7-10 Lb-In)

5. Remove four bolts and instrument panel steering column cover (04459) from under steering column tube.
6. Remove steering column shroud (3530) . Disconnect all electrical connections from turn signal and windshield wiper switch (13K359) .
7. Remove two screws retaining turn signal and windshield wiper switch and remove turn signal and windshield wiper switch.



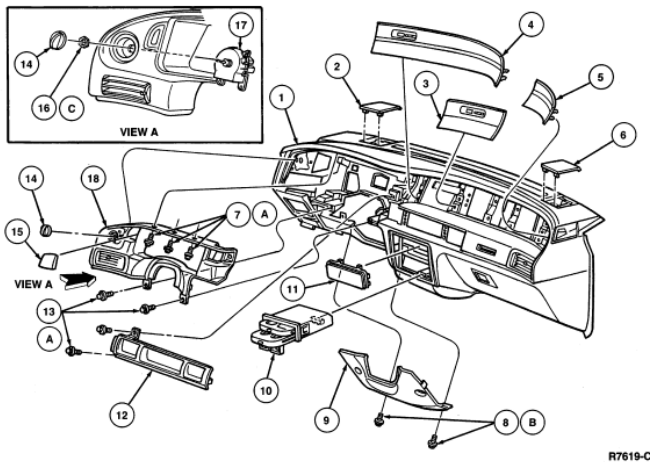
8. Pull transmission selector lever arm and support to the full down position (column shift).
9. Remove four (Taurus), five (Sable) instrument panel finish panel retaining screws.
10. Remove instrument panel finish panel by pulling toward driver to unsnap snap-in retainers and disconnect wiring from switches, electric clock (15000) and warning lamps.
11. To install, reverse Removal procedure.

Taurus



Item	Part Number	Description
1	4320	Instrument Panel Assy
2	045G11	LH Instrument Panel Upper Outer Finish Panel
3	44A90	LH Instrument Panel Upper Finish Panel
4	44A90	RH Instrument Panel Upper Finish Panel
5	044A74	Passenger Side Air Bag Module
6	045G10	RH Instrument Panel Upper Outer Finish Panel
7B	N806715-S36B	Screw 4 (Req'd)
8	4459	Instrument Panel Steering Column Cover
9	4371	Instrument Panel Radio Opening Cover
10	13530	Utility Tray
11A	N804306-S36B	Screw (2 Req'd)
12	44F58	Instrument Panel Control Opening Cover Assy
13A	N804306-S36B	Screw (2 Req'd)
14	11666	Light Switch Knob
15	10A862	Instrument Cluster Opening Cover
16C	N803442-S36	Nut
17	11654	Headlamp Switch
18	046B74	Center Cover Instrument Panel
A		Tighten to 2-3 Nm (18-26 Lb-In)
B		Tighten to 9-14 Nm (80-123 Lb-In)
C		Tighten to 6-8 Nm (53-71 Lb-In)

Sable



Item	Part Number	Description
1	4320	Instrument Panel Assy

2	045G11	LH Instrument Panel Upper Outer Finish Panel
3	44A90	LH Instrument Panel Upper Finish Panel (With Air Bag)
4	044A70	RH Instrument Panel Finish Panel (Without Air Bag)
5	44A90	RH Instrument Panel Upper Finish Panel (With Air Bag)
6	045G10	RH I/P Upper Outer Finish Panel
7A	N804306-S36B	Screw (3 Req'd)
8B	N806715-S36B	Screw (4 Req'd)
9	4459	Instrument Panel Steering Column Cover
10	13530	Utility Tray
11	4371	Instrument Panel Radio Opening Cover
12	44A92	Center Finish Panel
13A	N804306-S36B	Screw (4 Req'd)
14	11666	Light Switch Knob Assy
15	44F58	Instrument Panel Control Opening Cover
16C	N803442-S36	Light Switch Nut
17	11654	Headlamp Switch
18	10A862	Instrument Panel Cluster Opening Panel Assy
A		Tighten to 2-3 Nm (18-26 Lb-In)
B		Tighten to 9-14 Nm (80-123 Lb-In)
C		Tighten to 6-8 Nm (53-71 Lb-In)