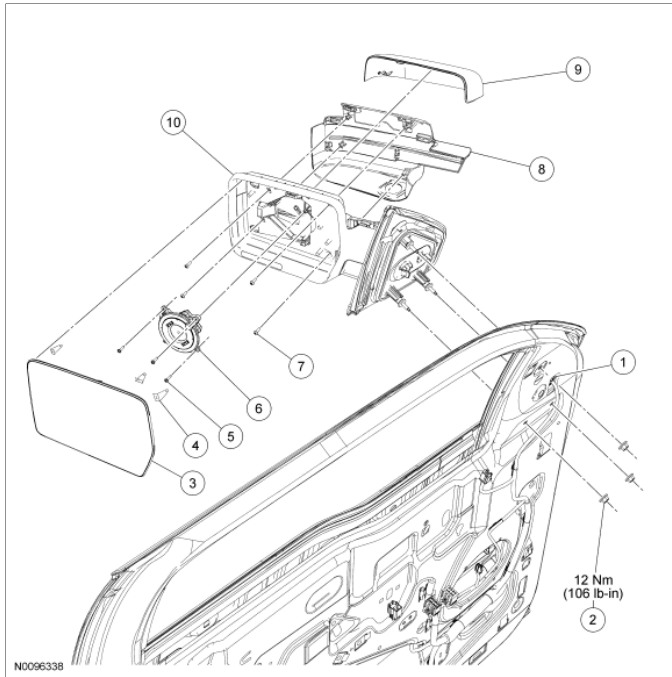
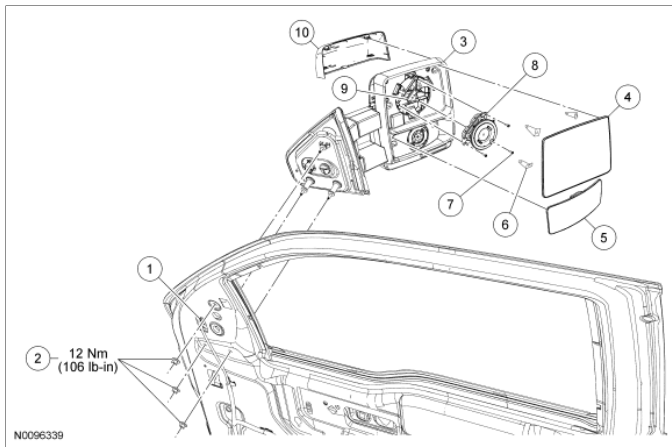


**Exterior Mirrors — Exploded View**  [Printable View \(364 KB\)](#)**Aero-Style Mirror****NOTE:** LH exterior mirror shown, RH exterior mirror similar.

Item	Part Number	Description
1	14631	Exterior mirror electrical connector
2	W705760	Exterior mirror nut (3 required)
3	17K707	Exterior mirror glass
4	—	Dampener springs (part of 17K707)
5	—	Exterior mirror motor screw (3 required) (part of 17D696)
6	17D696	Exterior mirror motor
7	—	Exterior mirror lower cover screw (3 required) (part of 17682 RH/ 17683 LH)
8	—	Exterior mirror lower cover (part of 17682 RH/ 17683 LH)
9	17D742 RH/ 17D743 LH	Exterior mirror upper cover
10	17682 RH/ 17683 LH	Exterior mirror

**Trailer Tow Mirror****NOTE:** RH exterior mirror shown, LH exterior mirror similar.



Item	Part Number	Description
1	14630	Exterior mirror electrical connector
2	W705760	Exterior mirror nuts (3 required)
3	17682 RH/ 17683 LH	Exterior mirror assembly
4	17K707A	Exterior mirror glass
5	17K707B	Exterior mirror spotter glass
6	—	Dampener springs (part of 17K707A)
7	—	Exterior mirror motor screw (3 required)
8	17D696	Exterior mirror motor
9	—	Exterior mirror wire harness (part of 17682 RH/ 17683 LH)
10	17D742 RH/ 17D743 LH	Exterior mirror cover (painted or black plastic)

1. For additional information, refer to the procedures in this section.
2. For additional information on the mirror-mounted puddle lamps and turn signals, refer to [Section 417-01](#).