

2003 Cadillac DeVille V8-4.6L VIN Y

Vehicle Level → [Body and Frame](#) → [Doors, Hood and Trunk](#) → [Rear Door Panel](#) → [Service and Repair](#)
→ [Rear Side Door Trim Panel Replacement](#) ←

Rear Side Door Trim Panel Replacement

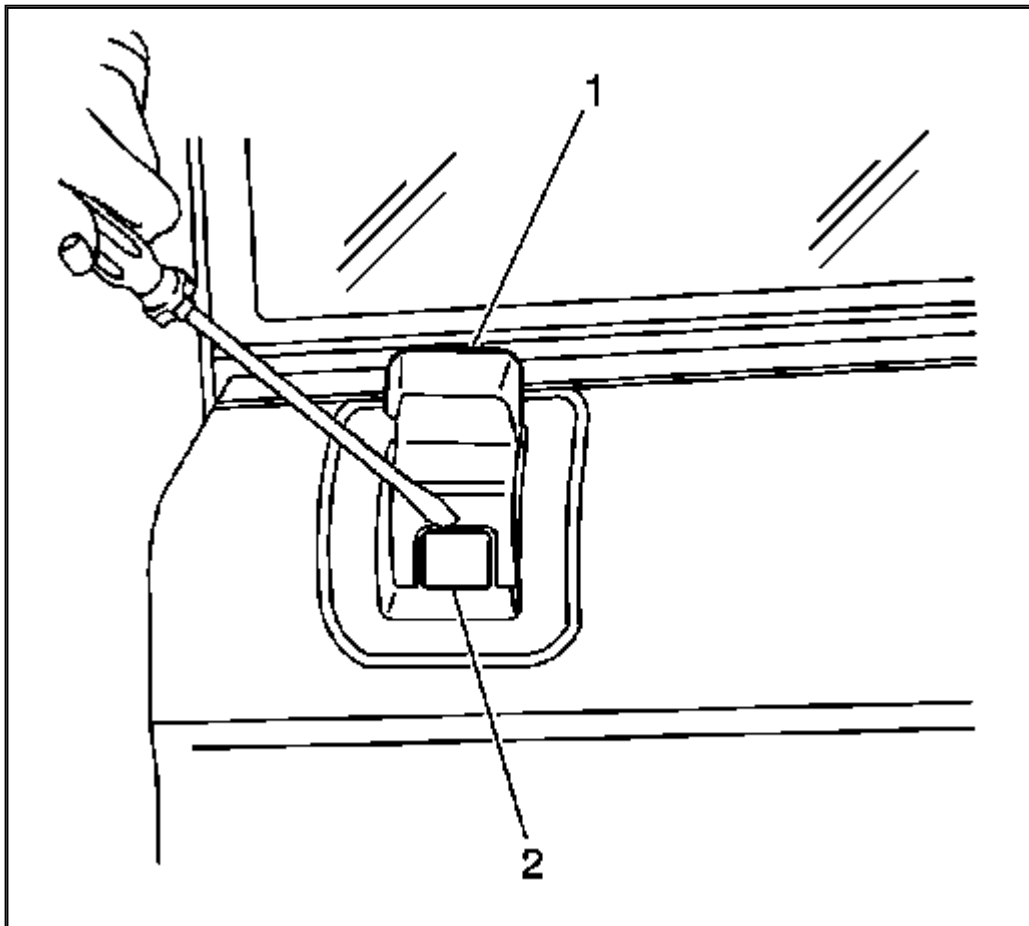
[Trim Panel Replacement - Side Rear Door](#)

Tools Required

J 36796 Clip Zip Clip Removal Tool or J 38778 Door Trim Pad Clip Remover

Removal Procedure

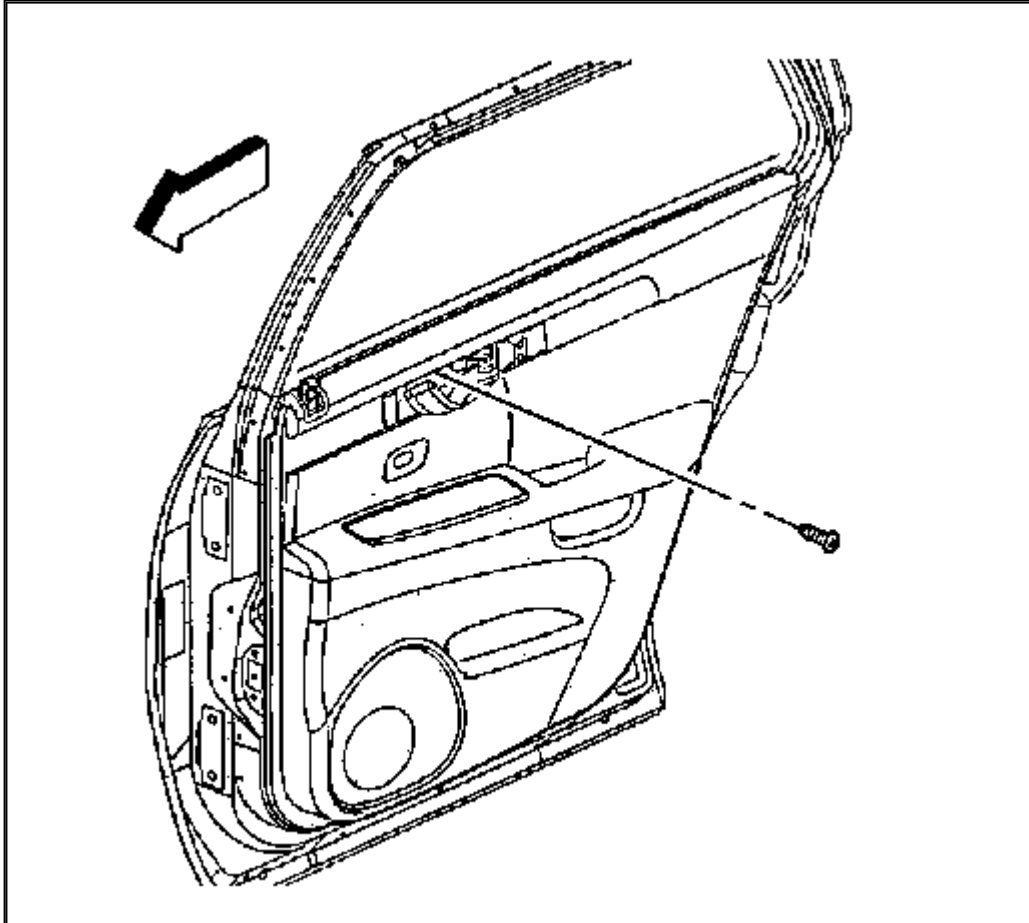
1. Position the window fully downward.



Zoom

Sized for Print

2. Ensure the manual lock knob (1) is in the unlock position.
3. Insert a flat bladed tool into the top service notch in order to disengage the locking clip (2) located at the front of the manual lock knob (1).
4. Remove the manual lock knob (1).

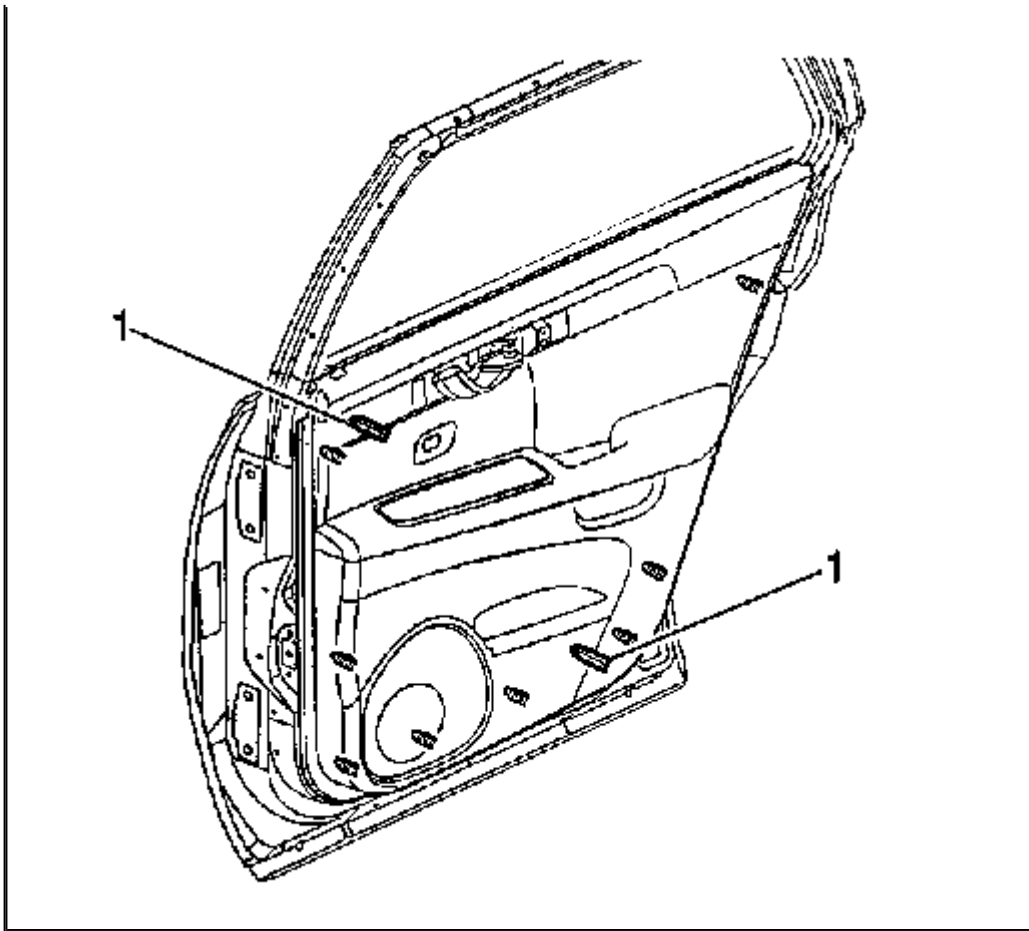


Zoom

Sized for Print

5. Remove the inside handle bezel from the inner door panel in the following order:
 1. Hold the inside handle to the open position.
 2. Insert a flat bladed tool at the front lower corner of the bezel.
 3. Pry outward on the bezel.
 4. Remove the bezel from the inner door panel.
6. Remove the screw attaching the inside door handle to the sheet metal.



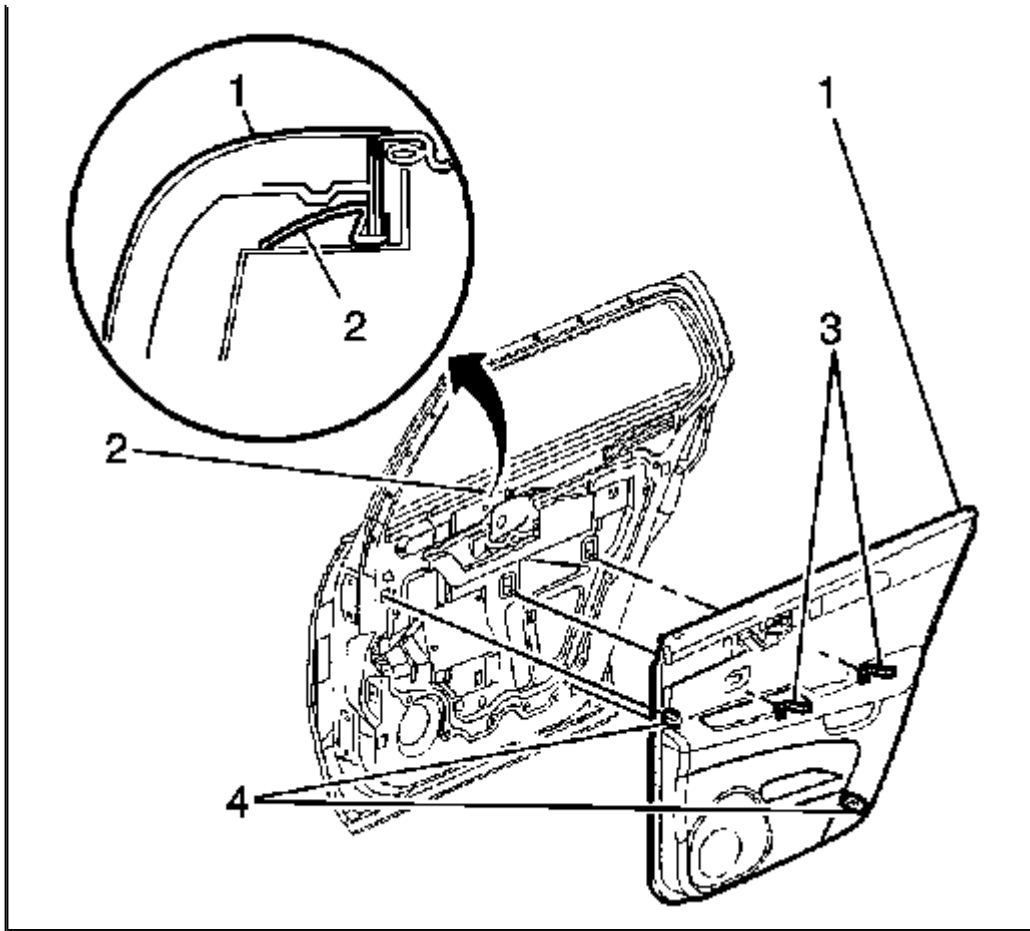


Zoom

Sized for Print

7. Use the J 36796 or J 38778 in order to release the eight retainers (1) around the outside edges of the door [trim panel](#).





Zoom

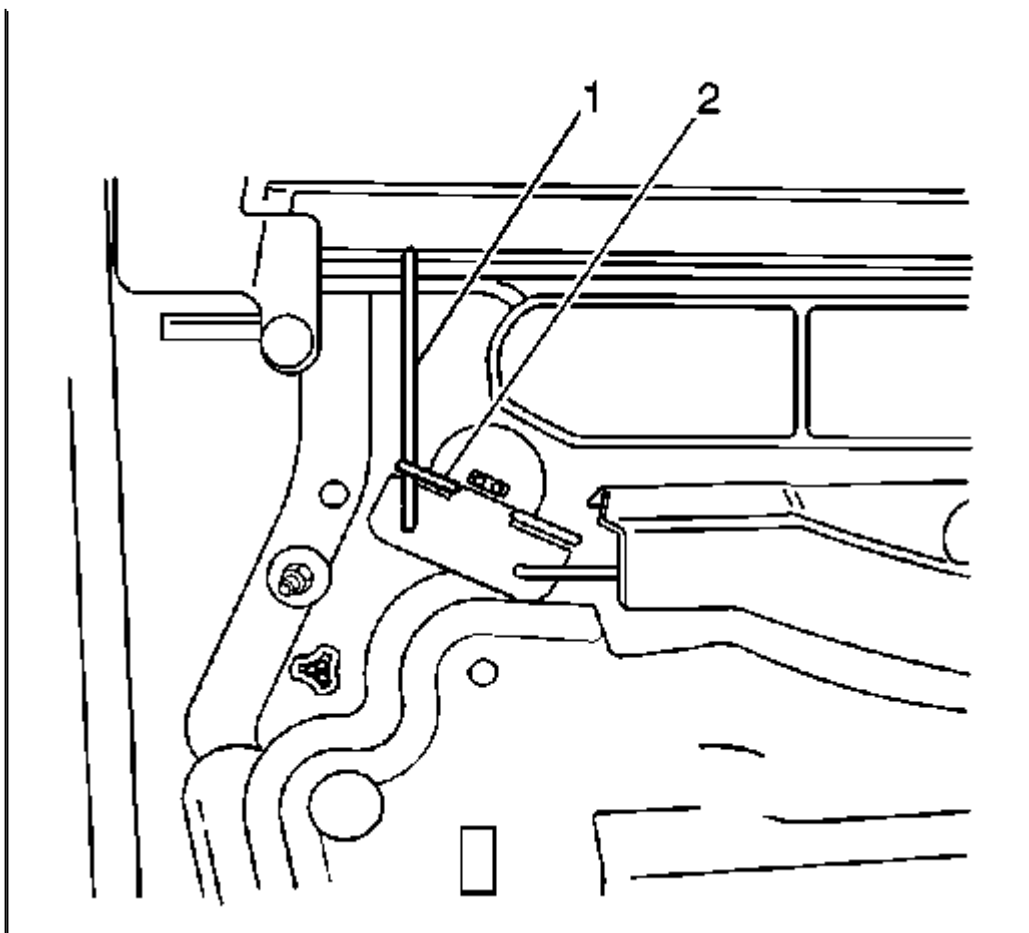
Sized for Print

8. Slide the door [trim panel](#) (1) upwards to release it from the following:
 - The alignment datums (4)
 - The eight retainers
 - The [arm rest](#) steel retainer clips (3)
 - The inner belt molding (2)

9. Disconnect the door [trim panel](#) electrical connector.

Installation Procedure

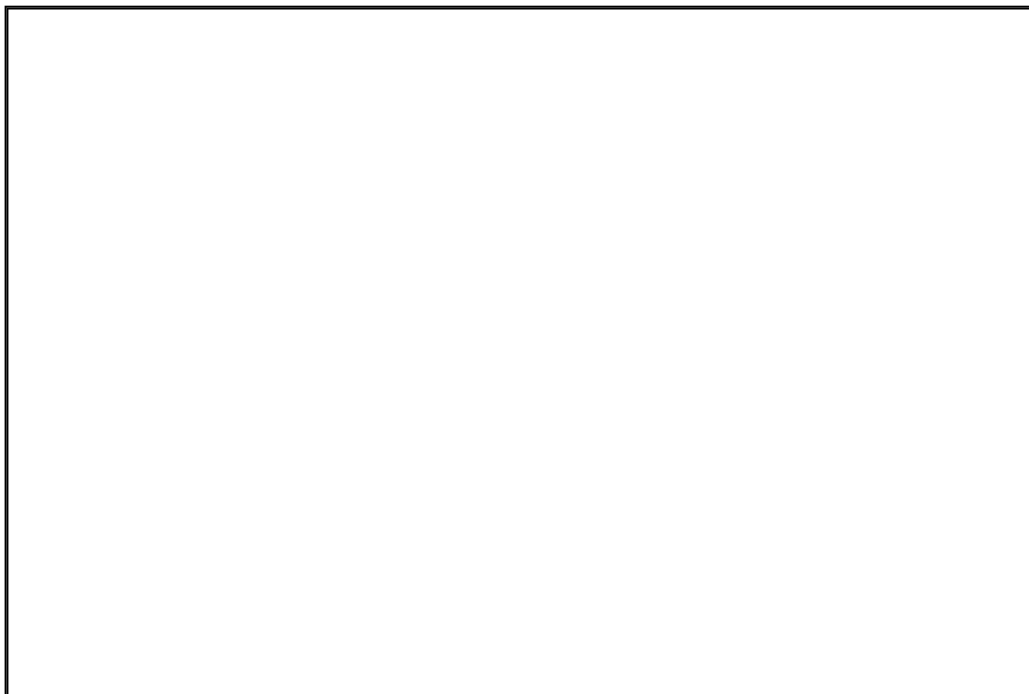


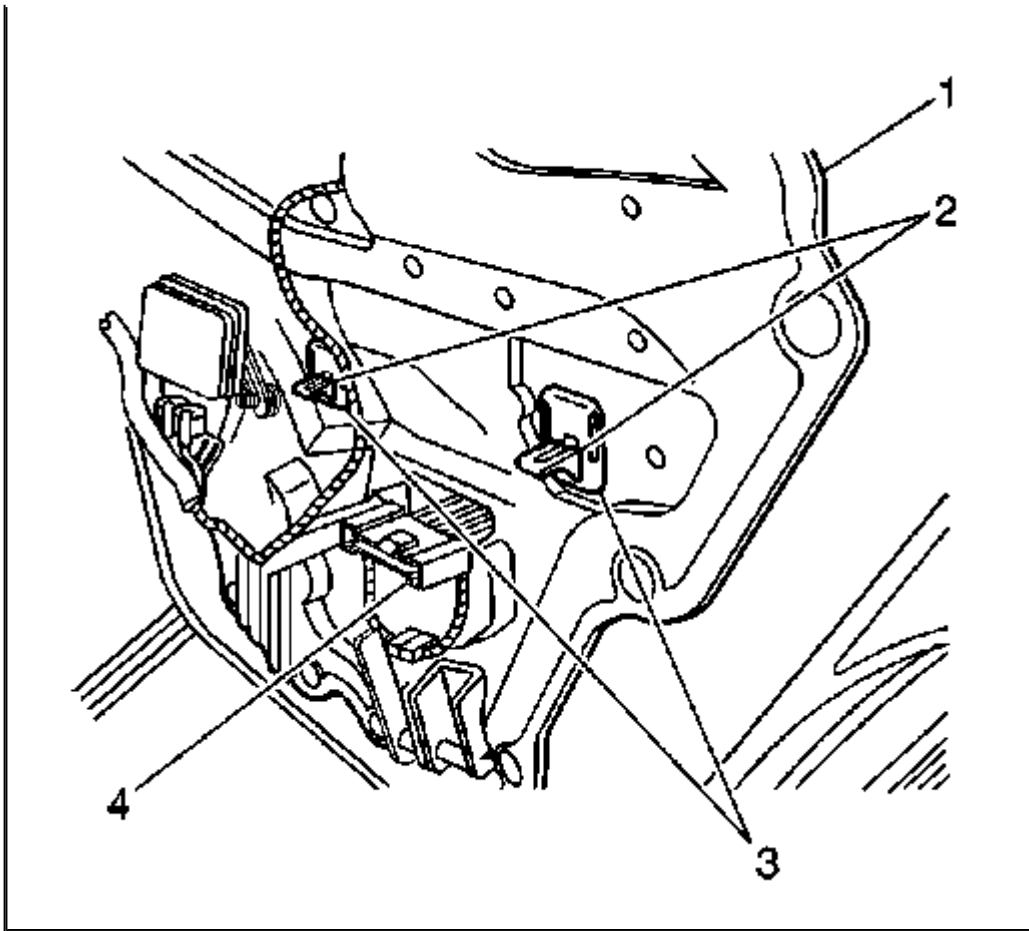


Zoom

Sized for Print

1. Position the manual lock rod (1) vertically into the bell crank retainer clip (2).



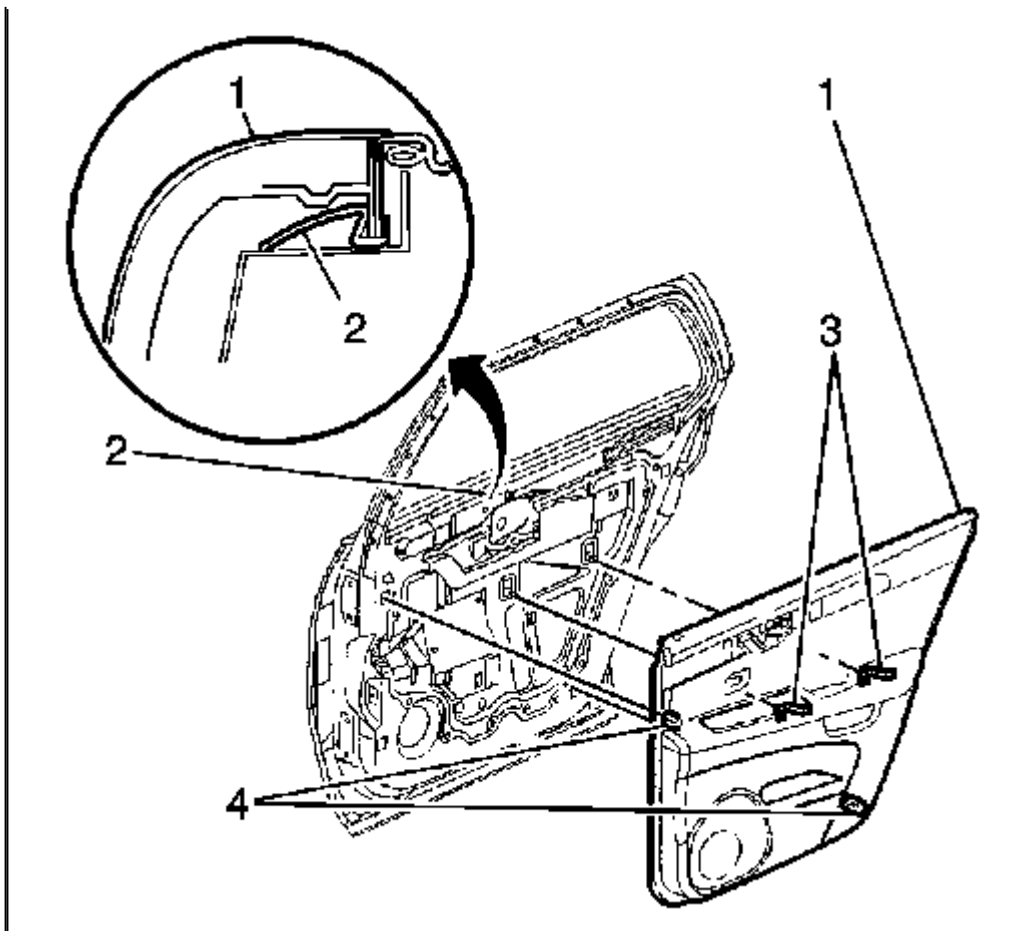


Zoom

Sized for Print

2. Slide the electrical connector (4) into position on the water deflector (1).
3. Remove the steel retainer clips (2) from the [arm rest](#) pull handle brackets.
4. Slide the steel clips (2) into the nylon nuts (3).





Zoom

Sized for Print

5. Install the door [trim panel](#) to the inner door in the following order:

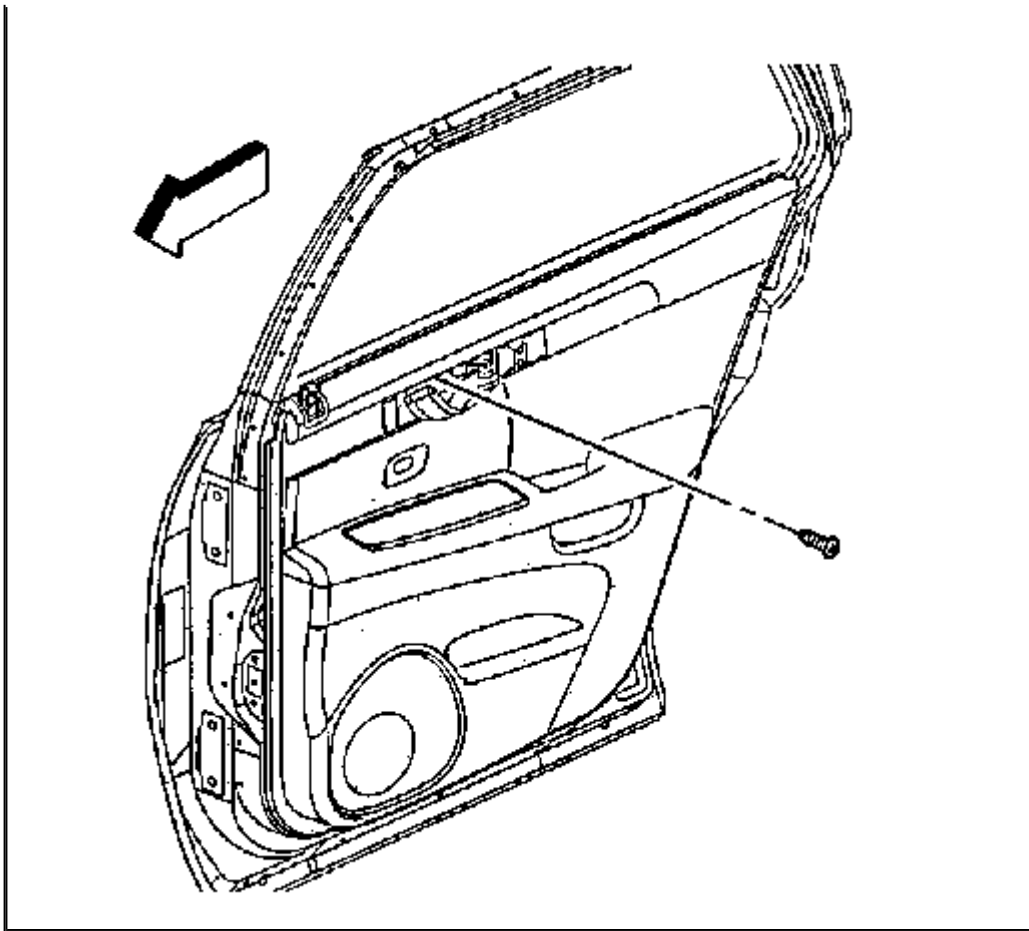
1. Position the door [trim panel](#) (1) downward over the following:

- The manual lock rod
- The inner belt molding (2)

2. Engage the door [trim panel](#) simultaneously into the following:

- The alignment datums (4)
- The electrical connector
- The armrest pull handle retainer clips (3)
- The eight retainers

Caution: This screw must be properly installed. This screw is critical in order to maintain retention of the inside handle to the slider-glide mechanism. Failure to properly install this screw may allow the door to unlatch during a collision, resulting in personal injury.



Zoom

Sized for Print

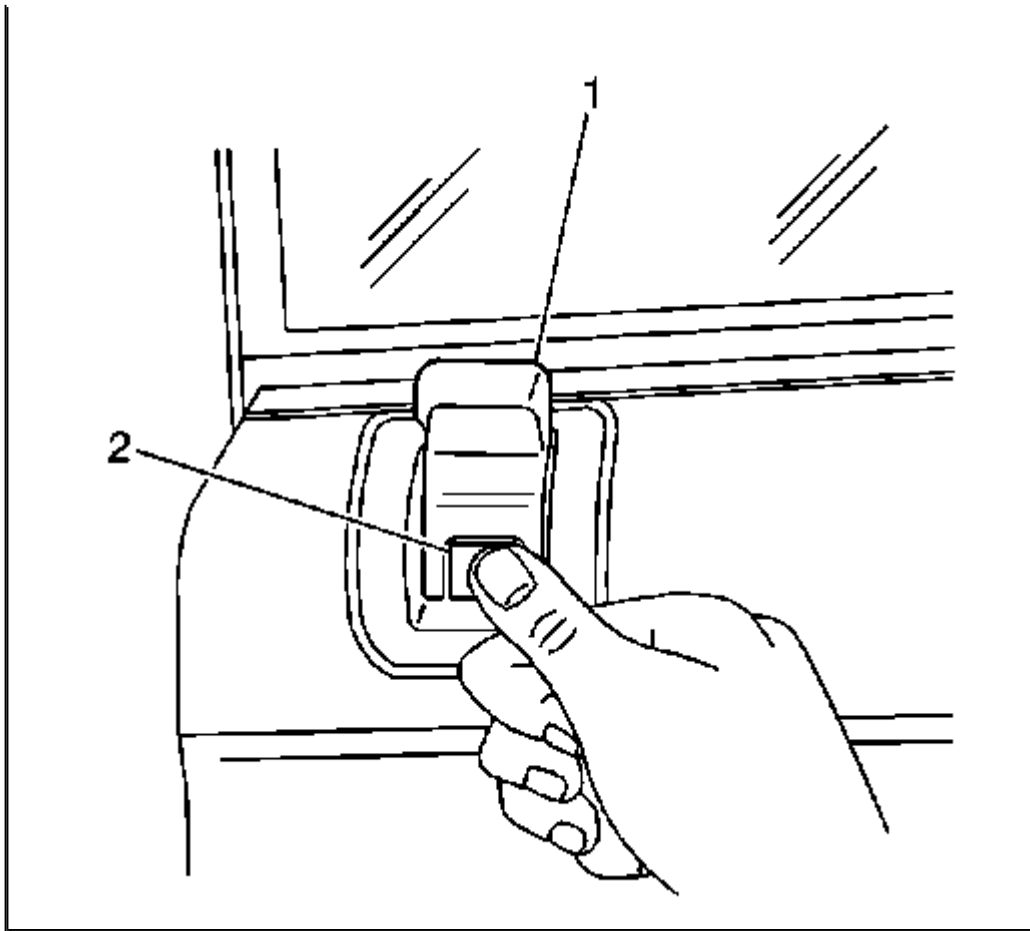
Notice: Refer to Fastener Notice in Cautions and Notices.

6. Install the screw attaching the inside door handle to the sheet metal.

Tighten the screw to 0.5 N.m (4 lb in).

7. Install the inside handle bezel to the inner door panel in the following order:
 1. Hold the inside handle to the open position.
 2. Insert the rear hook on the bezel to the wood trim tab.
 3. Press the forward end of the bezel inward until it is fully seated.





Zoom

Sized for Print

Important: Ensure the manual lock rod is in the full up/unlocked position.

8. Position the manual lock knob (1) into the bezel opening until the locking clip (2) bottoms out on the bezel.
9. Engage the locking clip (2) located at the front of the lock knob (1) to the lock rod.