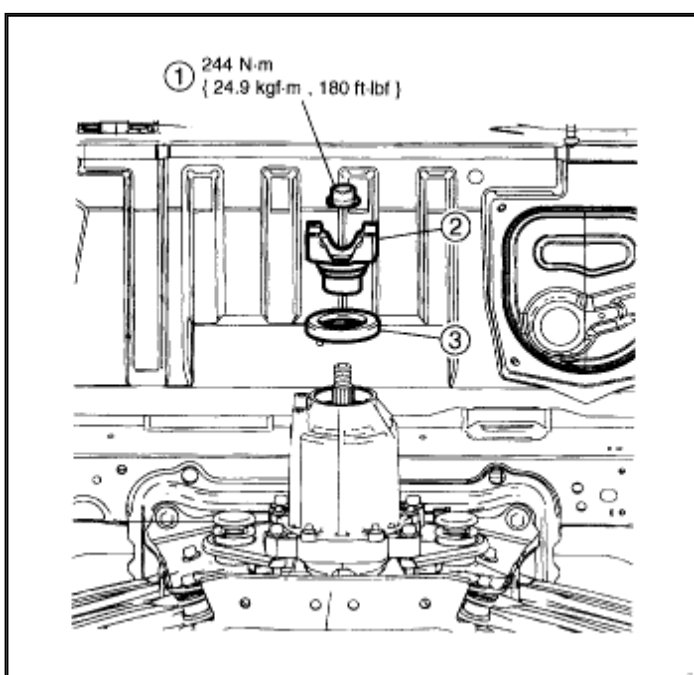


2005 Mazda Truck Tribute 4WD V6-3.0L DOHC

[Vehicle Level](#) → [Transmission and Drivetrain](#) → [Differential Assembly](#) → [Seals and Gaskets](#) → [Service and Repair](#) ←

Service and Repair

REAR AXLE FLANGE, SEAL [GEAR](#), BEARINGS, CUP AND SHAFTS

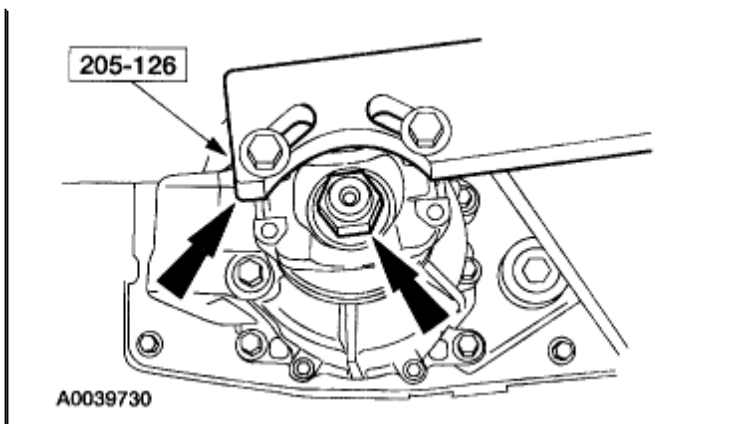


1	Pinion nut
2	Rear axle pinion flange
3	Rear pinion oil seal

Removal

1. Remove the rear driveshaft assembly.

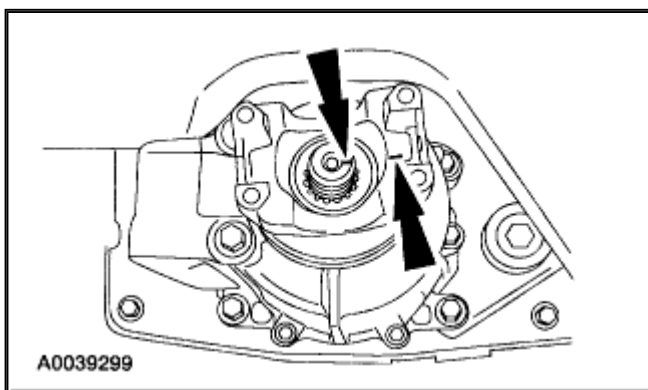




Zoom

Sized for Print

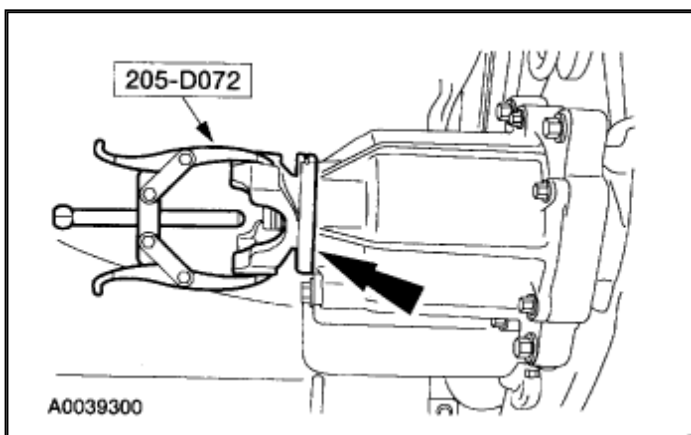
2. Using the special tool, remove the pinion nut.



Zoom

Sized for Print

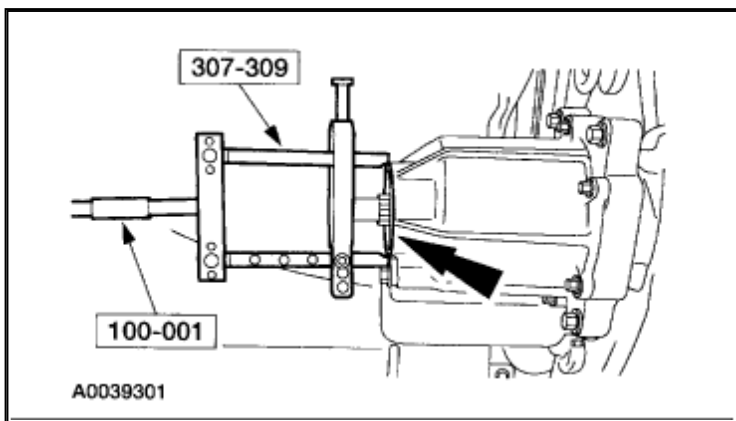
3. Index-mark the location of the rear axle [pinion flange](#).



Zoom

Sized for Print

- Using the special tool, remove the rear axle [pinion flange](#).



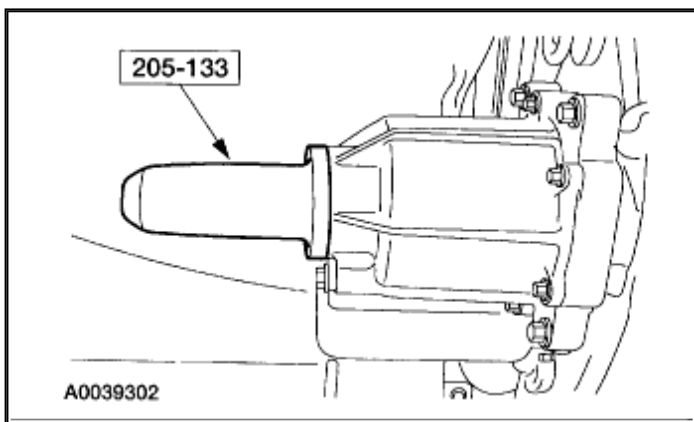
Zoom

Sized for Print

- Using the special tool, remove the rear pinion oil seal.

### Installation

**Note:** Make sure that the mating surface is clean before installing the new seal.



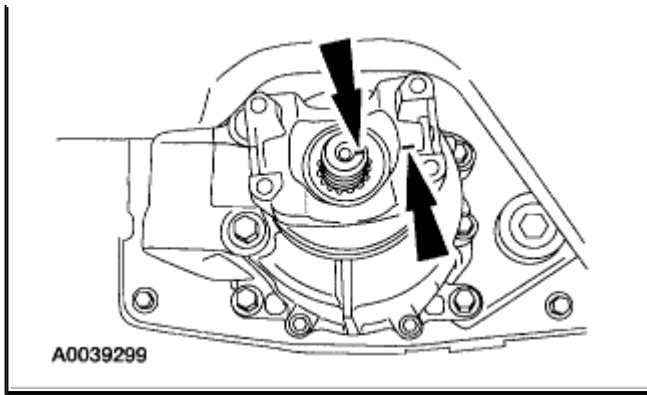
Zoom

Sized for Print

- Using the special tool, install a new rear pinion oil seal.

**Note:** Lubricate the [pinion flange](#) with grease.

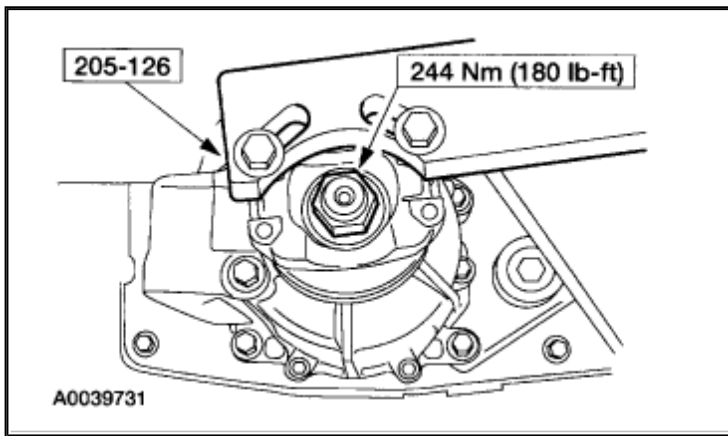




Zoom

Sized for Print

2. Line up the index marks and position the [pinion flange](#).



Zoom

Sized for Print

3. Using the special tool, install a new pinion nut.
4. Install the rear driveshaft assembly.