

Select Vehicle | New TSBs | Technician's Reference

Component Search:

OK

Conversion Calculator

2005 Mazda Truck Tribute 4WD L4-2.3L

[Vehicle Level](#) → [Steering and Suspension](#) → [Technical Service Bulletins](#) → [All Technical Service Bulletins](#)
→ [Tires/Wheels - Body Vibration/Steering Wheel Shimmy](#) ←

Tires/Wheels - Body Vibration/Steering Wheel Shimmy

02-004/05

2000-2006 MULTI-MODEL - BODY VIBRATION OR STEERING WHEEL SHIMMY

Note : This bulletin supersedes the following TSB(s): 02-001/03. Please update your records accordingly.

BULLETIN NOTE This bulletin supersedes the previous bulletin 02-001/03, issued on 02/24/03.

The APPLICABLE

MODEL(S)/VINS and DESCRIPTION have been revised.

APPLICABLE MODEL(S)/VINS

2000-2003 Protege
2002-2003 Protege5
2000-2002 626
2000-2002 Millenia
2000-2006 Miata
2004-2006 RX-8
2004-2006 Mazda3
2006 Mazda5
2003-2006 Mazda6
2000-2006 MPV
2001-2006 Tribute
2000-2006 B-Series Truck

DESCRIPTION

If a vehicle has body vibration or steering wheel shimmy while driving, and the root cause is determined to be tire balance, re-balance the [tires](#) using a Hunter GSP 9700/9712 balance machine. When using the Hunter GSP 9700/9712, be sure to use the following centering cones and cone/wheel set up listed below.

Using the appropriate centering cone ensures that the wheel will be properly centered to the centering cone.

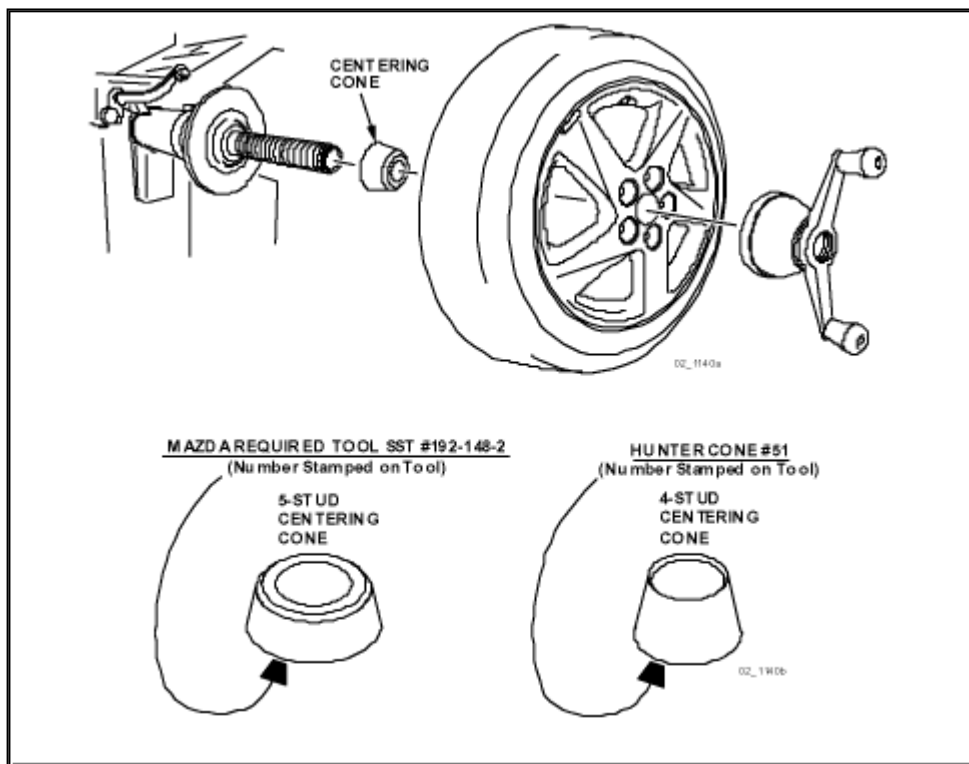
To find the location of a GSP 9700/9712 near your dealer, visit Hunter's web site at www.gsp9700.com and click on "Find a GSP9700 Near You".

REPAIR PROCEDURE

1. Select the appropriate centering cone and use the following setup:

^ 4-stud [wheels](#) - use Hunter Cone #)51

^ 5-stud [wheels](#) - use Mazda Required Tool SST #)192-148-2



Zoom

Sized for Print

NOTE : Wheel balance cones have an ID (inside diameter) of 40 mm which will fit most tire balancers.