

Select Vehicle | New TSBs | Technician's Reference | Component Search:

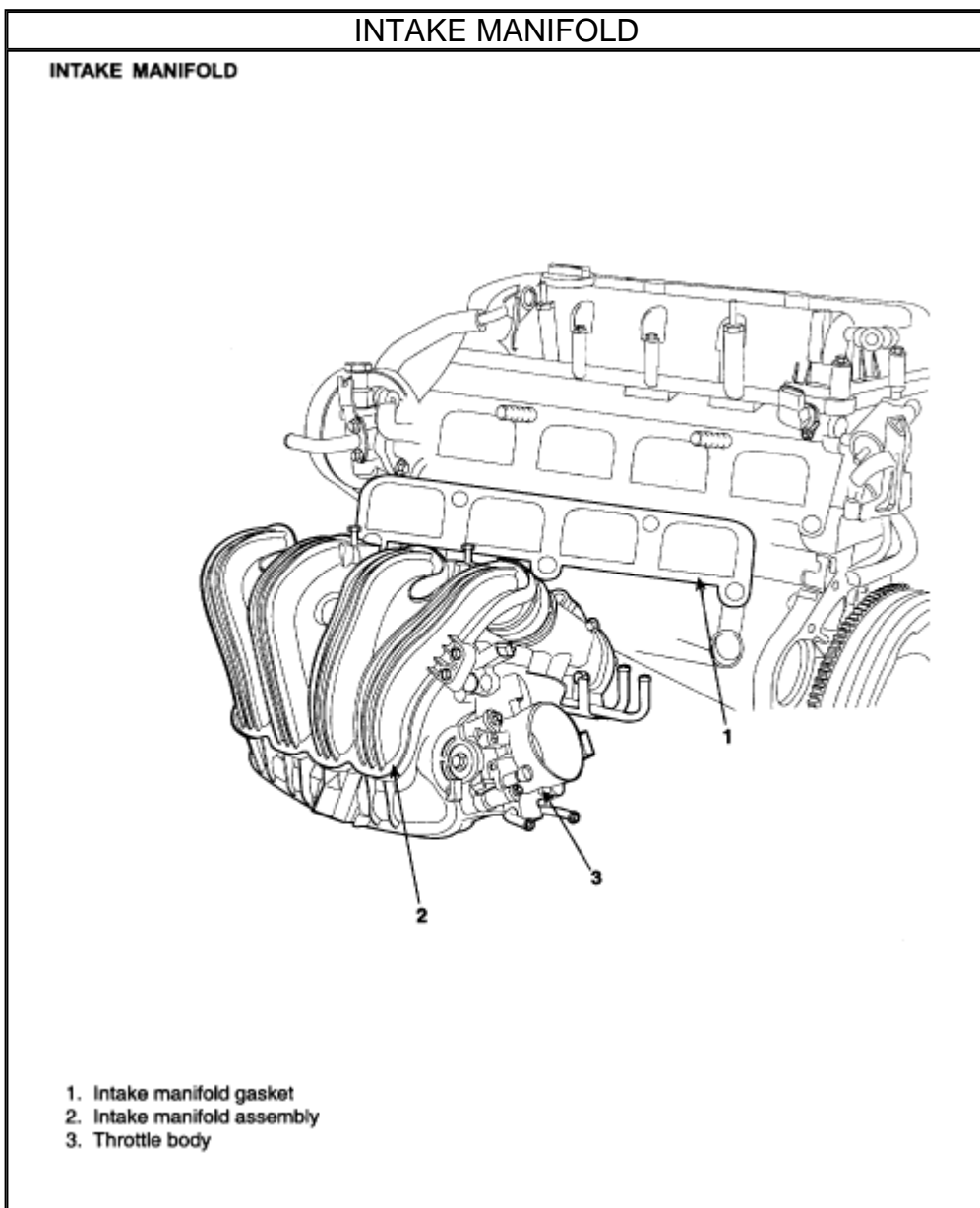
 Conversion Calculator

2006 Hyundai Sonata L4-2.4L

[Vehicle Level](#) → [Engine, Cooling and Exhaust](#) → [Engine](#) → [Intake Manifold](#) → [Service and Repair](#) ←

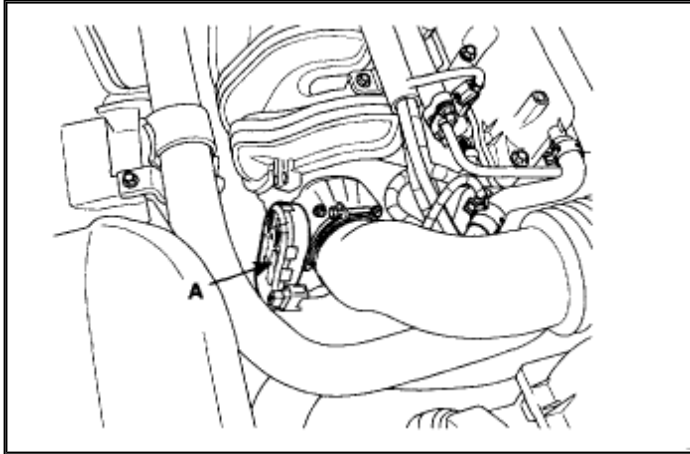
Service and Repair

INTAKE MANIFOLD

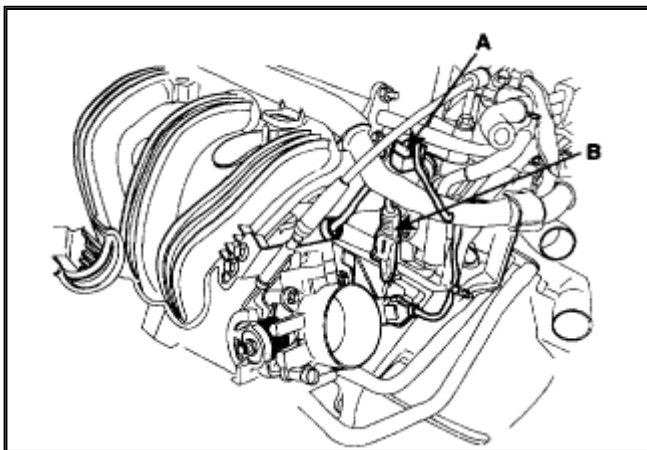


REMOVAL

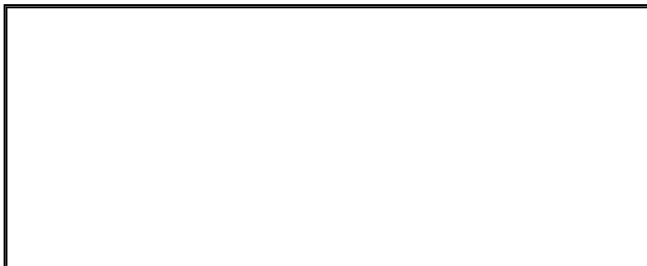
1. Remove the engine cover.

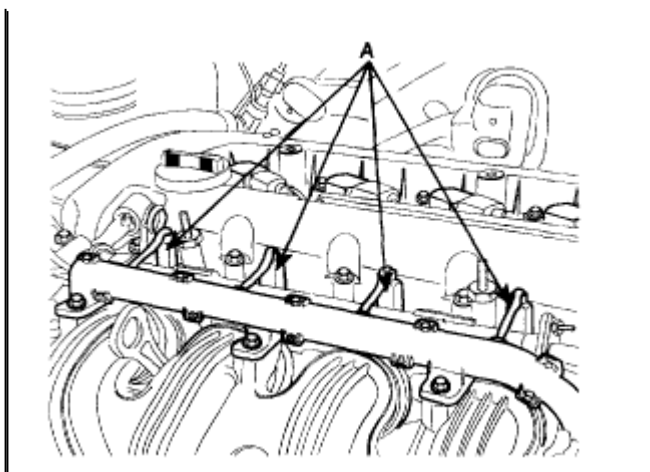
[Zoom](#)[Sized for Print](#)

2. Disconnect ETS connector (A)

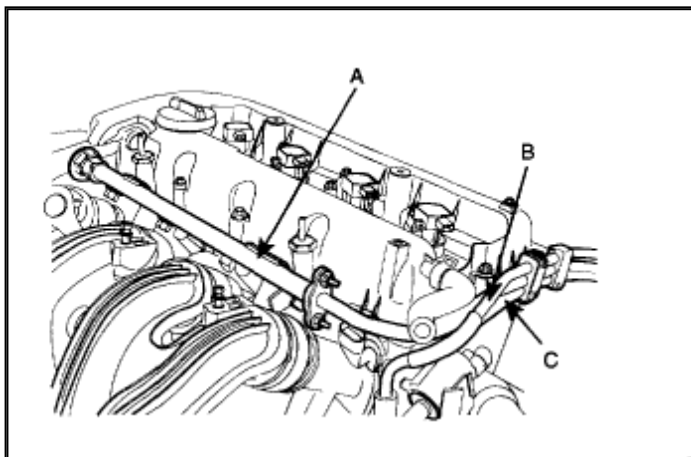
[Zoom](#)[Sized for Print](#)

3. Disconnect CMP connector (A), and knock sensor connector (B).

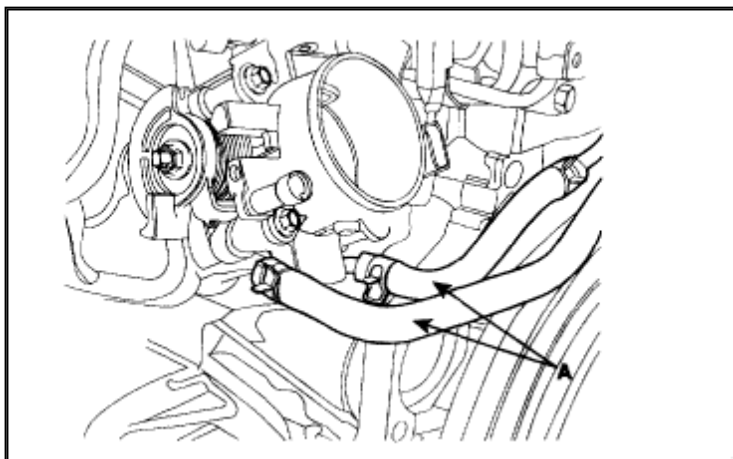


[Zoom](#)[Sized for Print](#)

4. Disconnect injector connector (A).

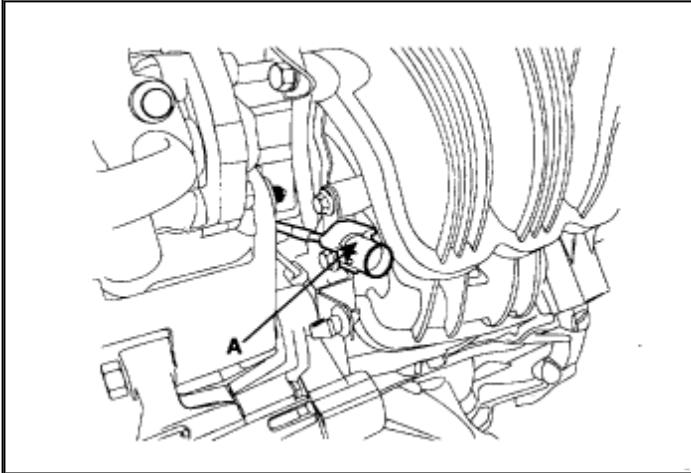
[Zoom](#)[Sized for Print](#)

5. Remove the delivery pipe (A), brake vacuum hose (B), and PCSV hose (C).

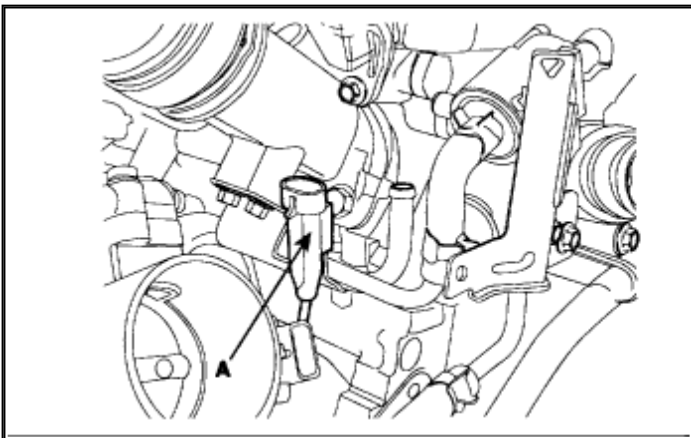


[Zoom](#)[Sized for Print](#)

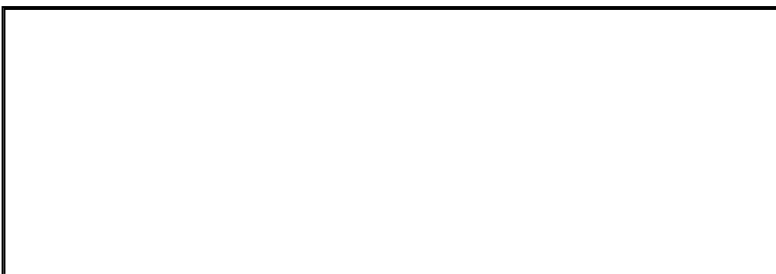
6. Remove coolant hose (A) from throttle body.

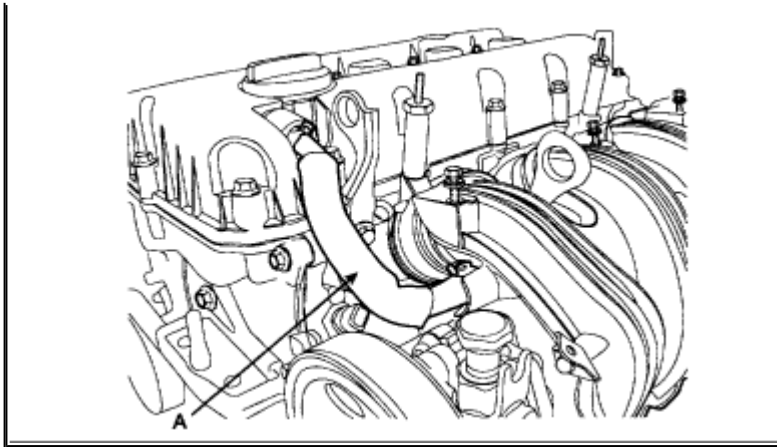
[Zoom](#)[Sized for Print](#)

7. Remove oil pressure switch connector (A) from bracket.

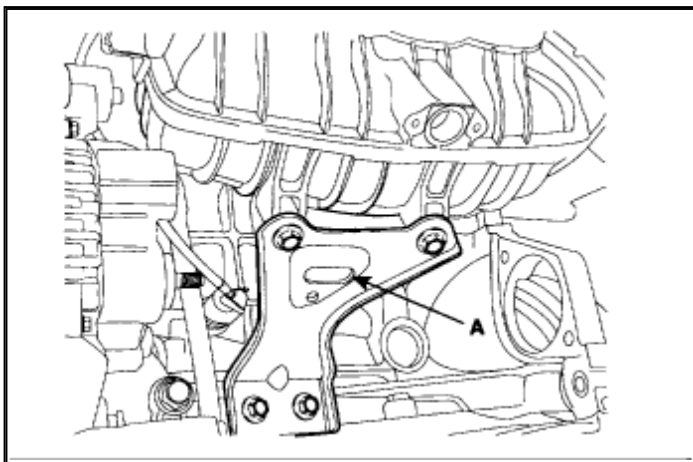
[Zoom](#)[Sized for Print](#)

8. Remove knock sensor connector (A) from bracket.



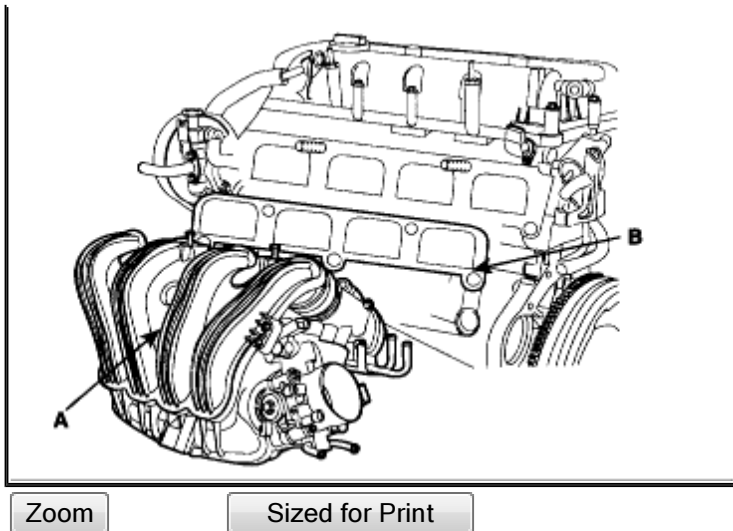
[Zoom](#)[Sized for Print](#)

9. Remove PCV hose (A).
10. Remove oil level gauge.

[Zoom](#)[Sized for Print](#)

11. Remove intake manifold stay (A).





12. Remove intake manifold (A) and gasket (B).

INSTALLATION

1. Install intake manifold. Tightening torque **18.62 - 27.44 Nm (1.9 - 2.8 kgf.m, 13.7 - 20.2 ft. lbs.)**
2. Install intake manifold stay. Tightening torque **18.6 - 27.44 Nm (1.9 - 2.8 kgf.m, 13.7 - 20.2 ft. lbs.)**
3. Install oil level gauge
4. Install PCV hose
5. Install air cleaner assembly
6. Install engine cover.