

Select Vehicle | New TSBs | Technician's Reference

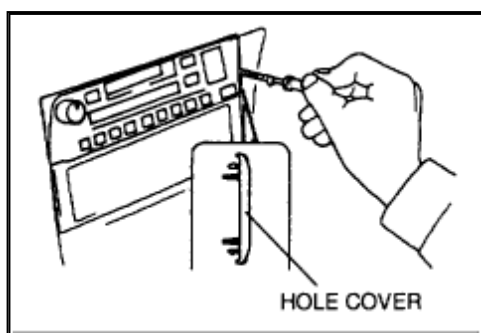
Component Search:

OK

Conversion Calculator

**1998 Mazda Truck MPV ES 2WD V6-3.0L SOHC**[Vehicle Level](#) → [Accessories and Optional Equipment](#) → [Radio, Stereo, and Compact Disc](#) → [Service and Repair](#) ←**Service and Repair****REMOVAL**

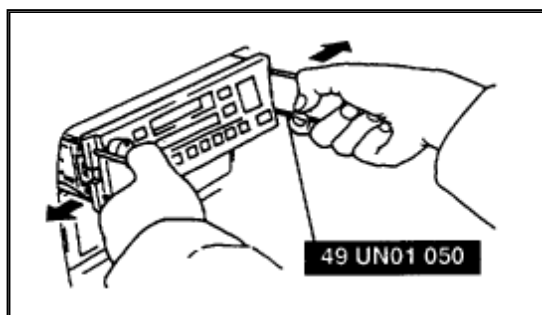
1. Disconnect the negative battery cable.



Zoom

Sized for Print

2. Remove the hole covers by inserting a small, tape-wrapped, flathead screwdriver into the slot and carefully prying them off without scratching the center lower panel. Pry up and pull off the hole covers carefully to prevent the posts from breaking off.
3. With the beveled parts of the SST facing inward, insert them into the audio unit.



Zoom

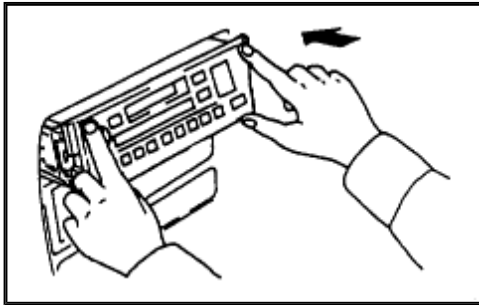
Sized for Print

4. Pull the SST as shown to slide out the audio unit.
5. Disconnect the audio unit connector and [antenna](#) jack to remove the audio unit.

## INSTALLATION

### CAUTION:

- Make certain that the wiring harness and [antenna](#) feeder are not caught between the audio unit and center lower panel. If the harness or antenna feeder is caught between the audio unit and center lower panel, it may become the cause of trouble or malfunctions.



Zoom

Sized for Print

1. Connect the audio unit connector and [antenna](#) jack.
2. Insert the audio unit until each clip clicks.
3. Insert the hole covers.
4. Connect the negative battery cable.