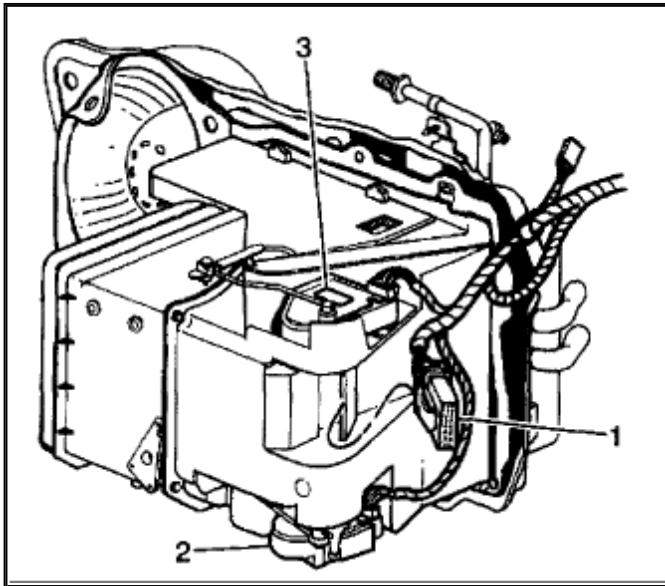


**1999 Cadillac DeVille V8-4.6L VIN Y**

[Vehicle Level](#) → [Heating and Air Conditioning](#) → [Air Door](#) → [Air Door Actuator / Motor](#) → [Service and Repair](#)  
→ [Air Mix Actuator Replacement - Driver](#) ←

**Air Mix Actuator Replacement - Driver**

Zoom

Sized for Print

**REMOVAL PROCEDURE**

1. Remove the right sound insulator.
2. Remove the instrument panel compartment.
3. Unsnap the rod from the plastic retainer on the actuator arm.
4. Remove the two screws from the actuator (2).
5. Disconnect the electrical connector (1).
6. Remove the actuator (2).
7. Inspect the air mix door for free travel.

**INSTALLATION PROCEDURE**

**IMPORTANT** : After replacing the actuator (2), recalibrate the actuator (2) for proper travel. Cycle the ignition ON for 3 minutes to allow the [programmer](#) and the actuator (2) to recalibrate for proper travel.

1. Install the actuator (2).
2. Connect the electrical connector (1).

**NOTE** : Refer to Fastener Notice in Service Precautions.

3. Install the two screws to the actuator (2).

**Tighten**

Tighten the screws to **1.2 N.m (12 lb in)** .

4. Snap the rod to the plastic retainer on the actuator arm.
5. Install the instrument panel compartment.
6. Install the right sound insulator.

© 2010 ALLDATA LLC. All rights reserved.

[Terms of Use](#)