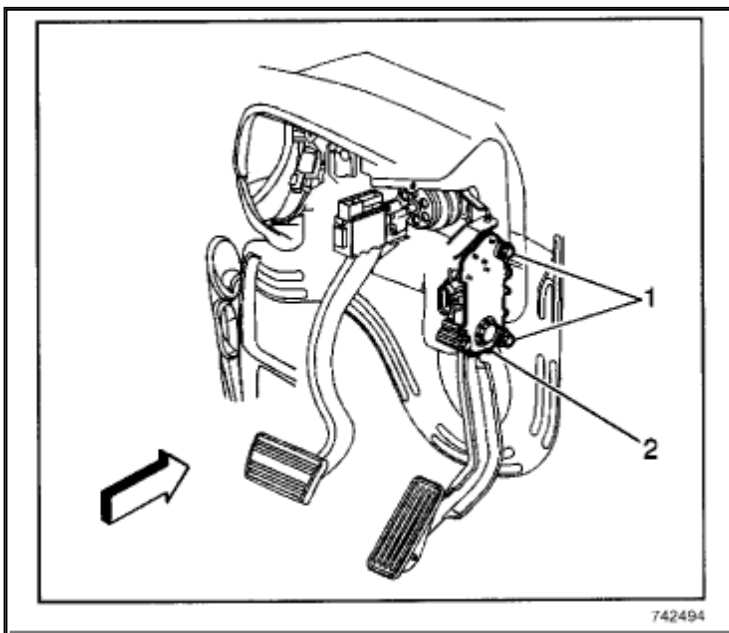


**2003 GMC Truck Envoy 2WD L6-4.2L VIN S**

[Vehicle Level](#) → [Powertrain Management](#) → [Computers and Control Systems](#) → [Accelerator Pedal Position Sensor](#) → [Service and Repair](#) ←

**Service and Repair**

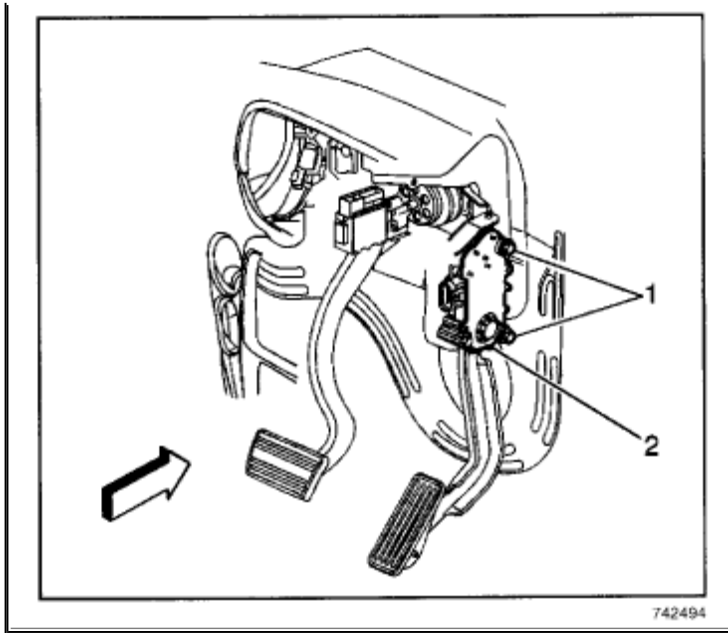
**REMOVAL PROCEDURE**



1. Disconnect the accelerator pedal position (APP) sensor electrical connector.
2. Remove the APP sensor retaining fasteners.
3. Remove the APP sensor (2) from the vehicle.

**INSTALLATION PROCEDURE**





1. Install the APP sensor (2) to vehicle.
2. Install the APP sensor retaining fasteners (1).

**NOTE:** Refer to Fastener Notice in Service Precautions.

**Tighten**

Tighten the retaining fasteners to **10 N.m (89 lb in)** .

3. Connect the APP sensor electrical connector.