

2002 Mazda Protege LX L4-2.0L DOHC

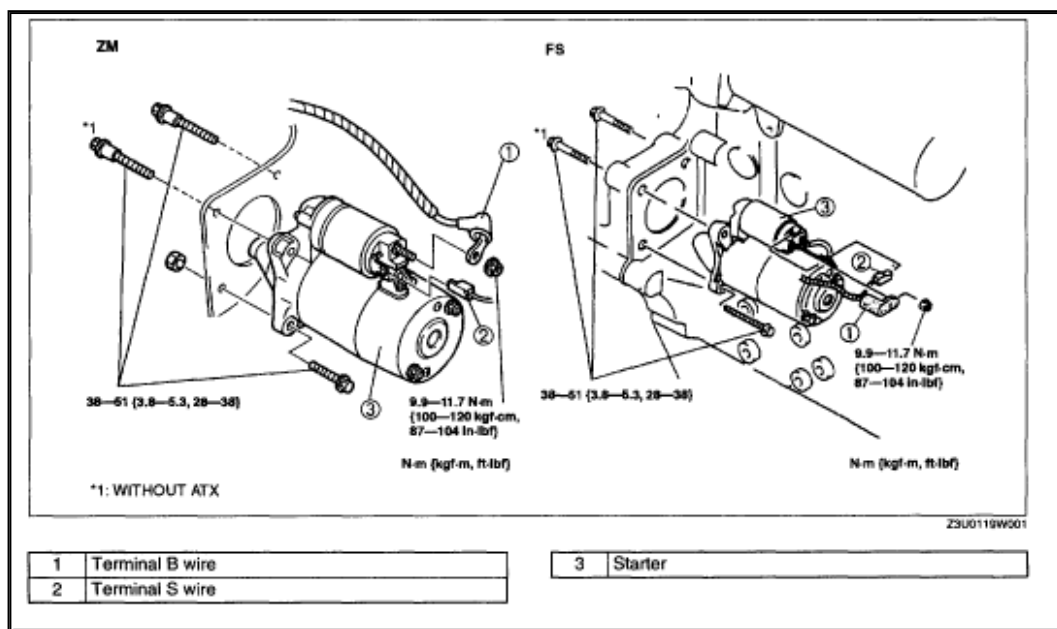
[Vehicle Level](#) → [Starting and Charging](#) → [Starting System](#) → [Starter Motor](#) → [Service and Repair](#) ←

Service and Repair

STARTER REMOVAL/INSTALLATION

WARNING: When the [battery cables](#) are connected, touching the vehicle body with starter terminal B will generate sparks. This can cause personal injury, fire, and damage to the electrical components. Always disconnect the [battery](#) before performing the following operation.

1. Disconnect the negative [battery cable](#).
2. Remove the [battery](#).
3. Remove the intake manifold bracket.



4. Remove in the order indicated in the table.
5. Install in the reverse order of removal.