

**2005 Mazda 6 L4-2.3L**

[Vehicle Level](#) → [Brakes and Traction Control](#) → [Antilock Brakes / Traction Control Systems](#) → [Hydraulic Control Assembly - Antilock Brakes](#) → [Service and Repair](#) ←

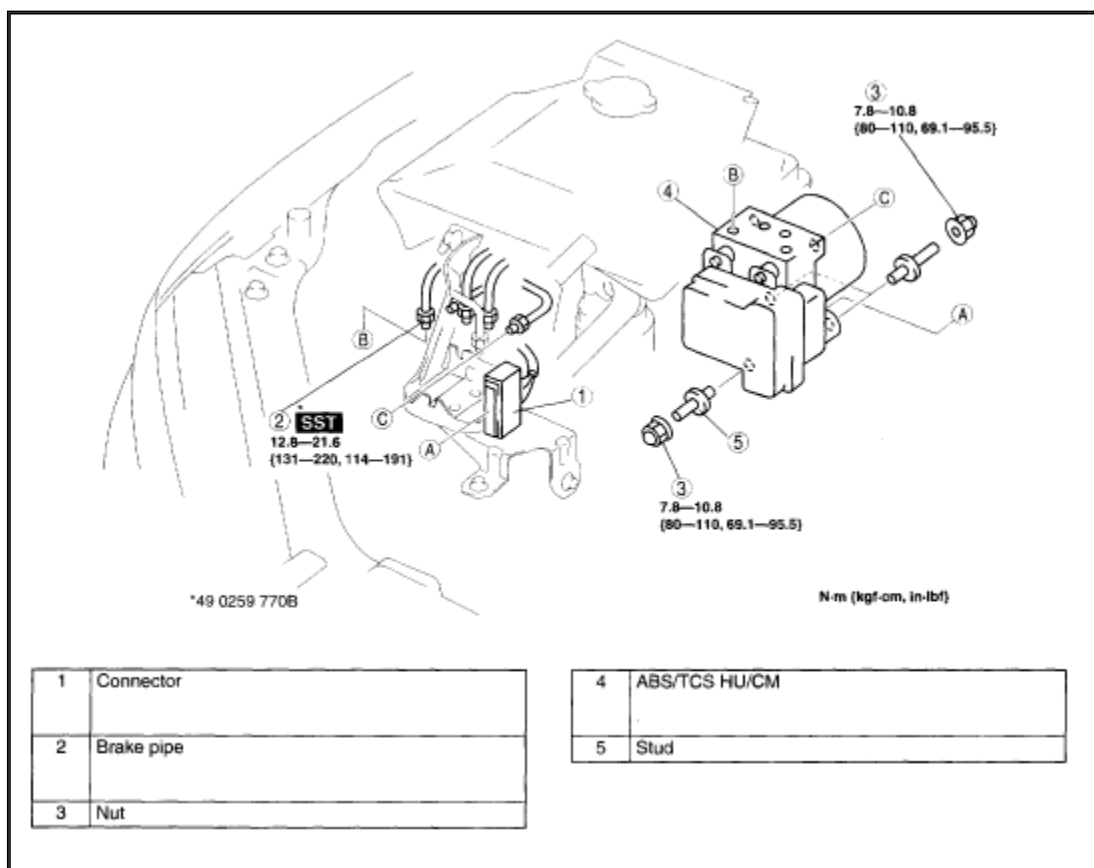
**Service and Repair**

**ABS/TCS HU/CM REMOVAL/INSTALLATION**

**Caution:**

- When replacing the ABS/TCS HU/CM, the configuration procedure must be done before removing the ABS/TCS HU/CM. If the configuration is not completed before removing the ABS/TCS HU/CM, TCS will not work properly after installation of the ABS/TCS HU/CM.
- Do not drop the ABS/TCS HU/CM. Replace it if it is subjected to an impact.

1. Configure the ABS/TCS HU/CM (only when replacing it).
2. Remove in the order indicated in the table.

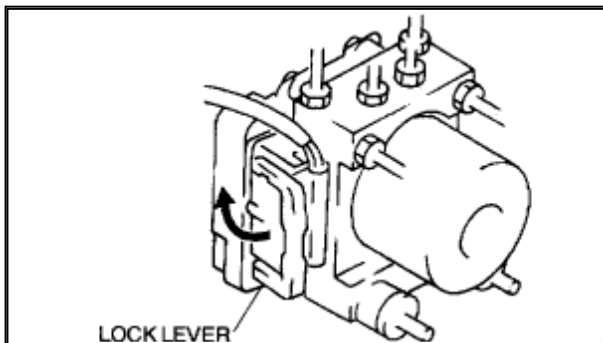


[Zoom](#)[Sized for Print](#)

3. Install in the reverse order of removal.

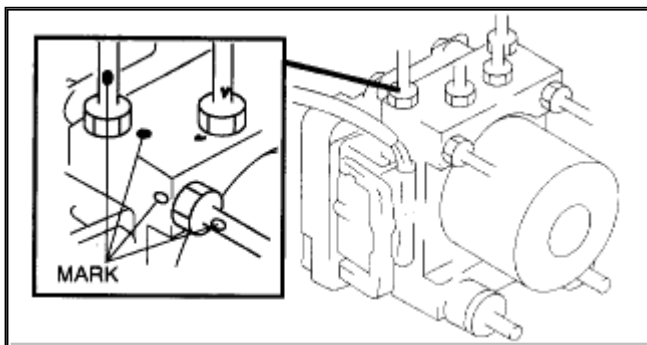
### Connector Removal Note

1. Release the lock lever to unlock it.

[Zoom](#)[Sized for Print](#)

2. Remove the connector.

### Brake Pipe Removal Note

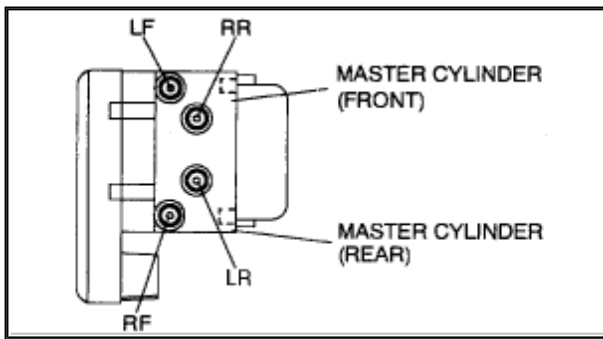
[Zoom](#)[Sized for Print](#)

1. Mark the brake pipe connecting positions before removal for reference during installation.

### ABS/TCS HU/CM Removal/Installation Note

1. When removing/installing the ABS/TCS HU/CM from/to the vehicle, attach a strip of protective tape on the ABS/TCS HU/CM connector to prevent brake fluid from entering.

## Brake Pipe Installation Note

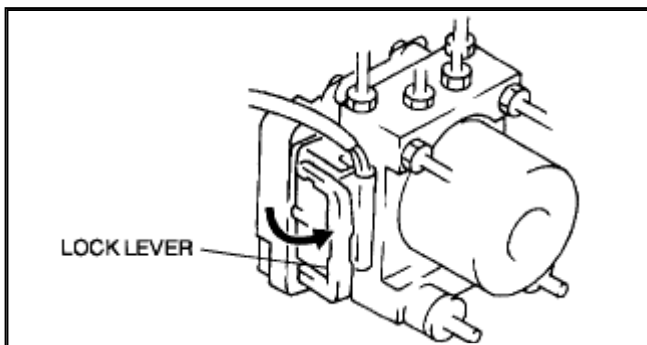


Zoom

Sized for Print

1. When installing the brake pipe, align the marks made before removal with the ABS/TCS HU/CM as shown in the figure.

## Connector Installation Note



Zoom

Sized for Print

1. Verify that the lock lever of the harness connector is securely locked.