

2002 Cadillac DeVille V8-4.6L VIN Y

[Vehicle Level](#) → [Steering and Suspension](#) → [Steering](#) → [Steering Gear](#) → [Service and Repair](#) → [Power Steering Gear Replacement](#) ←

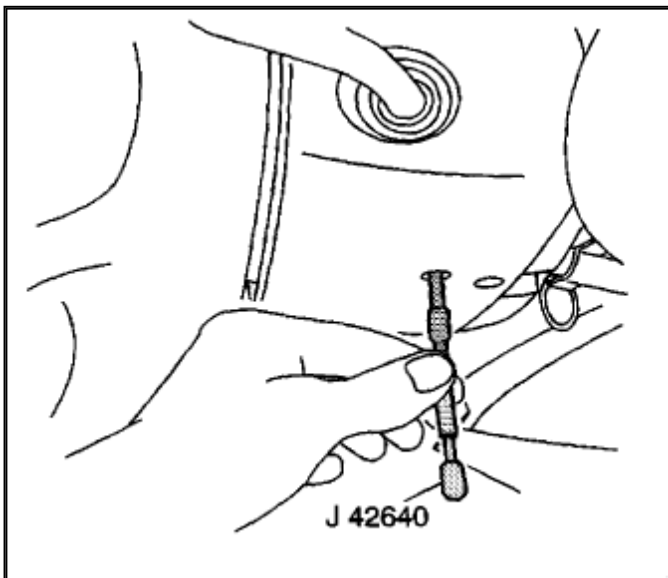
Power Steering Gear Replacement

Power Steering Gear Replacement

- **Tools Required**
- J 42640 [Steering Column](#) Antirotation Pin
- J 24319-B [Steering](#) Linkage and [Tie Rod](#) Puller

Removal Procedure

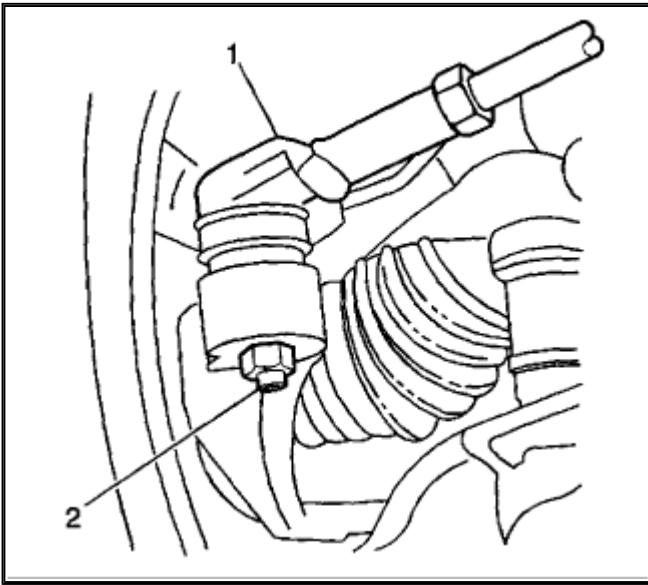
Notice: The [wheels](#) of the vehicle must be straight ahead and the [steering column](#) in the LOCK position before disconnecting the steering column or intermediate shaft from the steering gear. Failure to do so will cause the coil assembly in the steering column to become uncentered which will cause damage to the coil assembly.



Zoom

Sized for Print

1. Install J 42640 into the [steering column](#) access hole in order to lock the steering column. This will maintain the correct [steering](#) orientation.
2. Raise and support the vehicle. Refer to [Vehicle Lifting](#).
3. Remove the [tires](#) and [wheels](#).

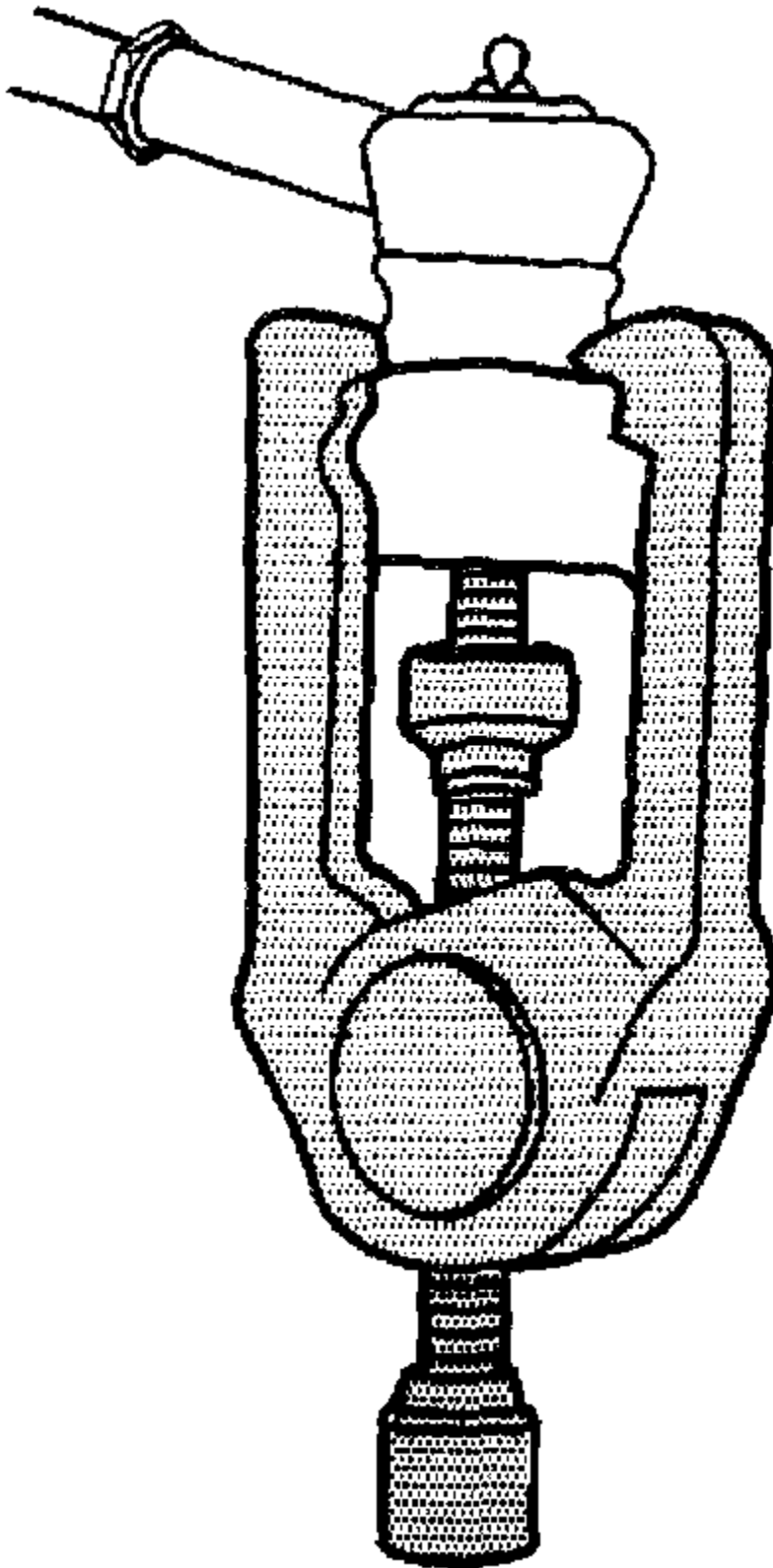


Zoom

Sized for Print

4. Remove the outer [tie rods](#) retaining nuts (2).

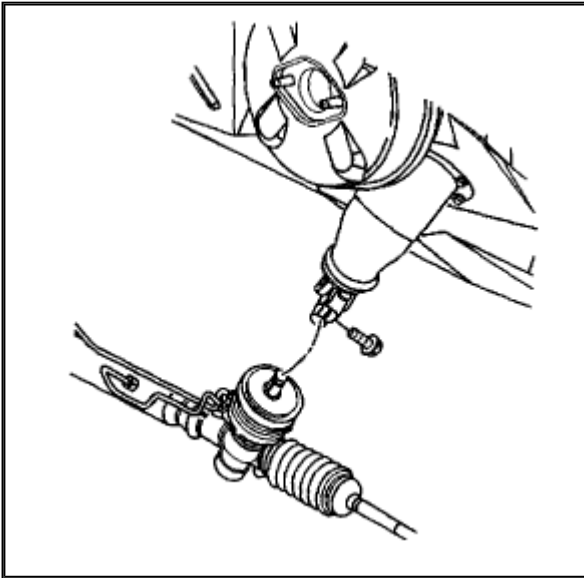




Zoom

Sized for Print

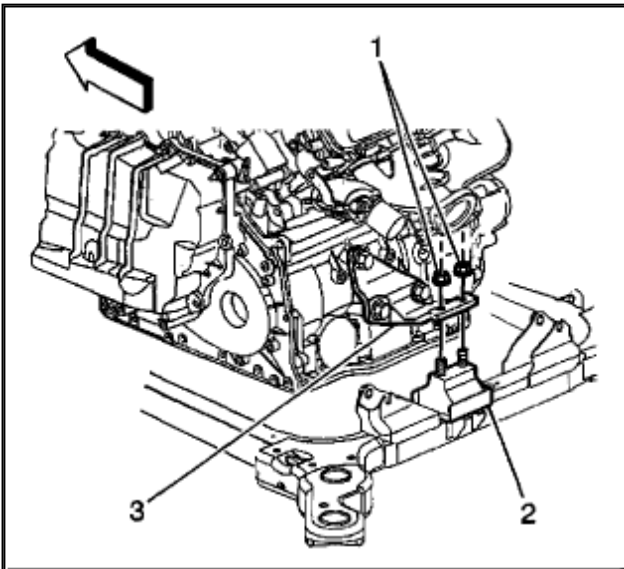
- Using J24319-B remove the outer [tie rod](#) from the [steering knuckle](#).



Zoom

Sized for Print

- Remove the intermediate shaft pinch bolt.
- Disconnect the intermediate shaft from the power steering gear.
- Remove the steering gear heat shield.

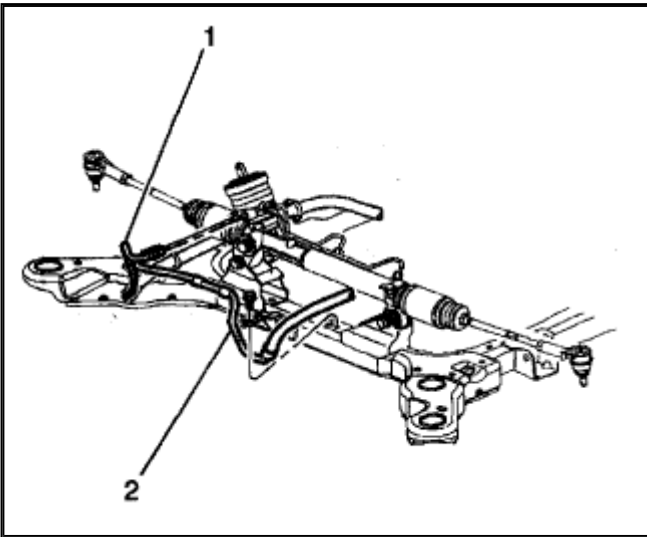


Zoom

Sized for Print

- Remove the rear transmission mount upper mounting nuts (1).
- Disconnect the variable effort [steering](#) electrical connector, if equipped.

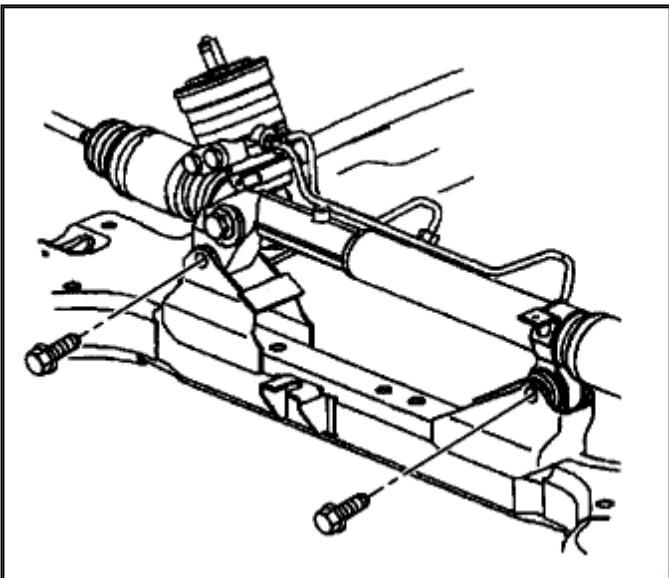
11. Install a drain pan under the vehicle.



Zoom

Sized for Print

12. Remove the [power steering](#) pressure and return hoses from the power steering gear.

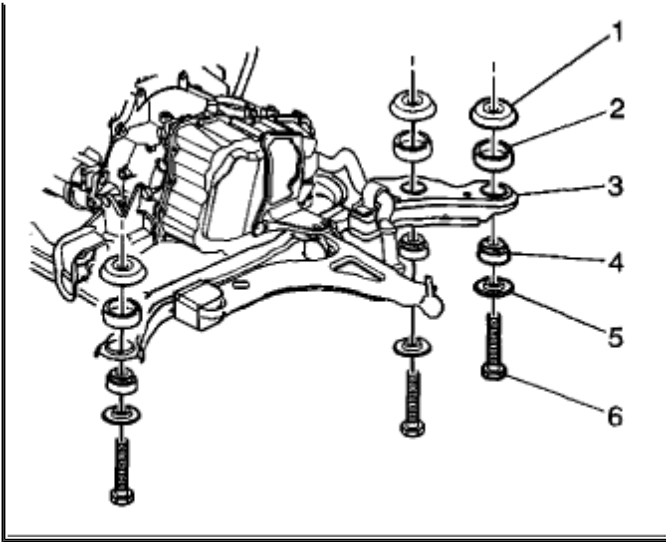


Zoom

Sized for Print

- 13. Remove the steering gear mounting bolts.
- 14. Install a jack under the rear portion of the frame.





Zoom

Sized for Print

15. Remove the rear mounting bolts from the frame.

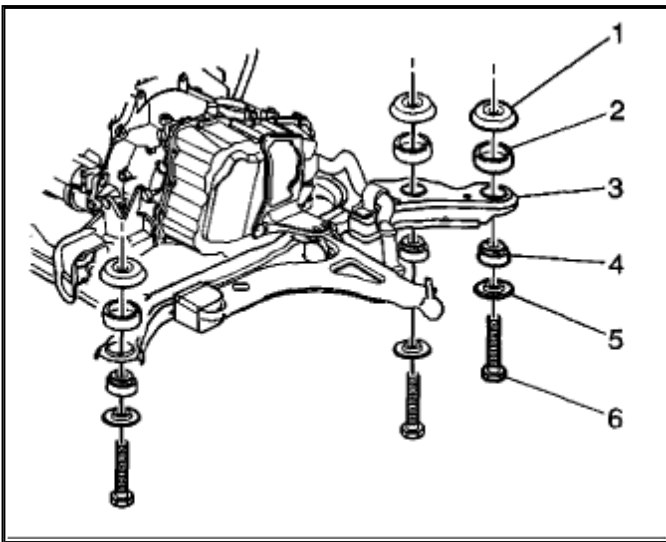
Caution: The frame must be properly supported before partially lower log. The frame should not be lowered any further than needed to gain access, to the steering gear.

16. Lower the rear portion of the frame.

17. Remove the rack and pinion from the drivers side of the vehicle.

18. Transfer necessary components.

Installation Procedure



Zoom

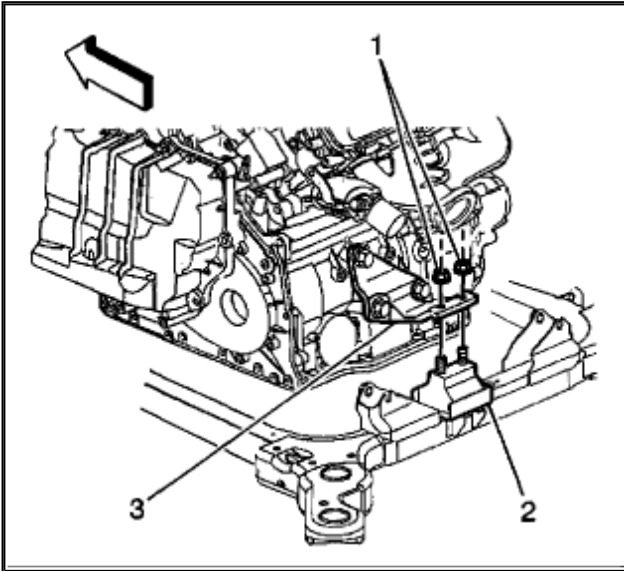
Sized for Print

1. Install the rack and pinion to the vehicle.

2. Raise the rear portion of the frame.

Notice: Refer to Fastener Notice in Service Precautions.

3. Install the frame mounting bolts.
 - Tighten the frame mounting bolts to **192 Nm (142 ft. lbs.)** .

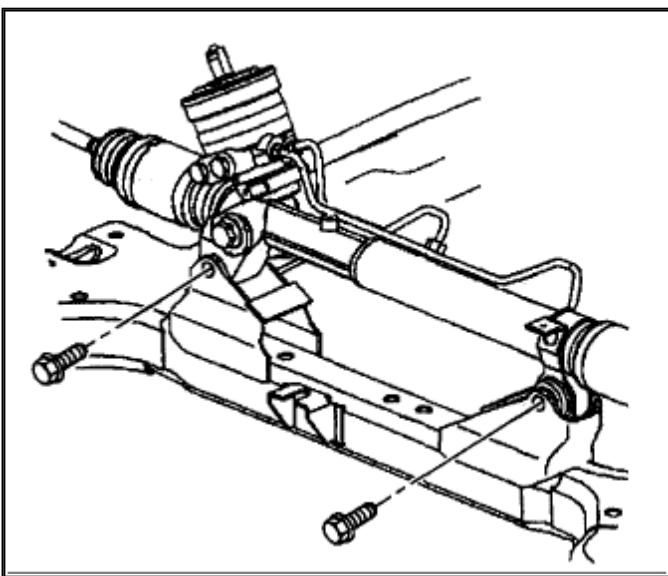


Zoom

Sized for Print

4. Install the transmission mount mounting nuts (1).

- Tighten the transmission mounting nuts (1) to **75 Nm (55 ft. lbs.)** .

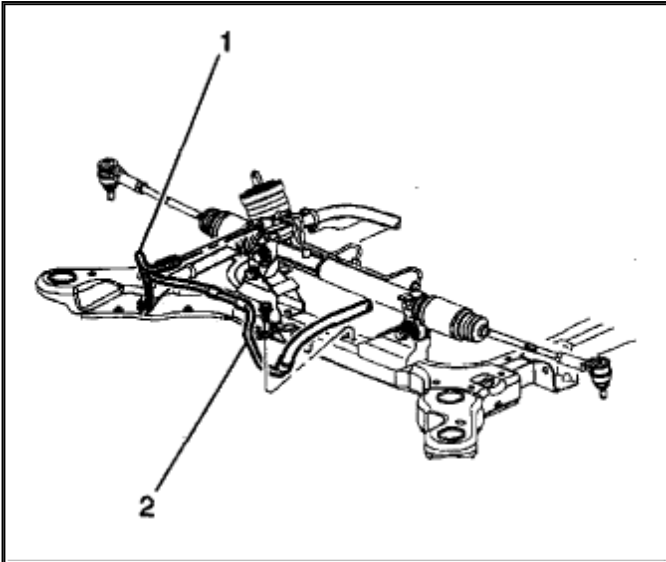


Zoom

Sized for Print

5. Install the rack and pinion mounting bolts.

- Tighten the rack and pinion mounting bolts to **95 Nm (70 ft. lbs.)** .



Zoom

Sized for Print

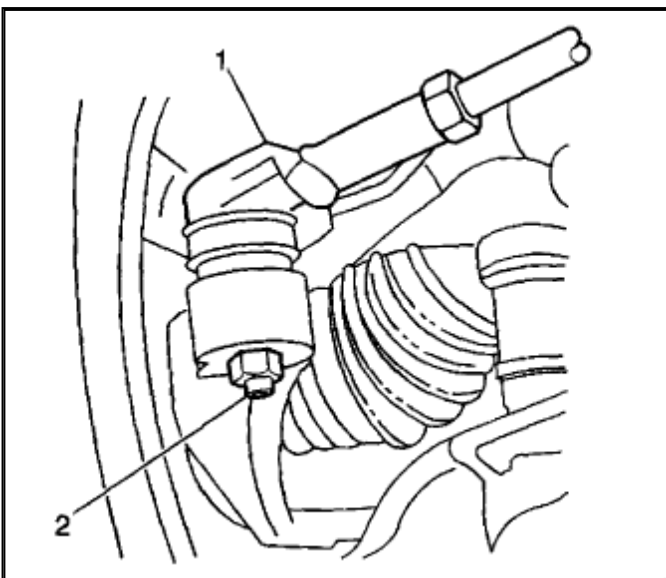
6. Install the [power steering](#) pressure and return hoses to the power steering gear.

- Tighten the [power steering](#) pressure and return hoses to **27 Nm (20 ft. lbs.)** .

7. Remove the drain pan from under the vehicle.

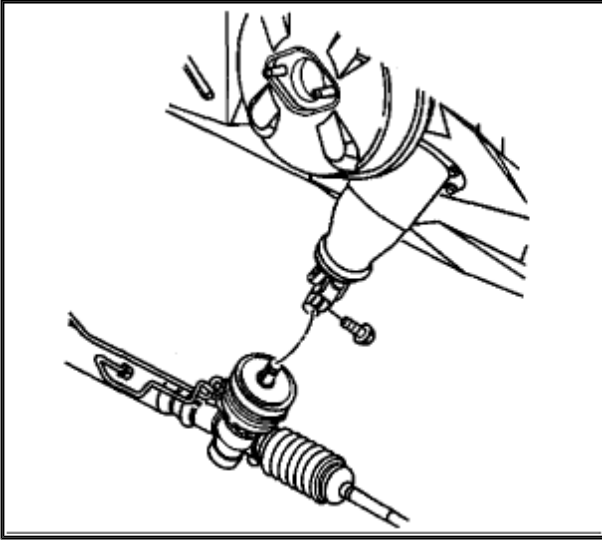
8. Connect the variable effort [steering](#) electrical connector.

9. Install the power steering gear heat shield.



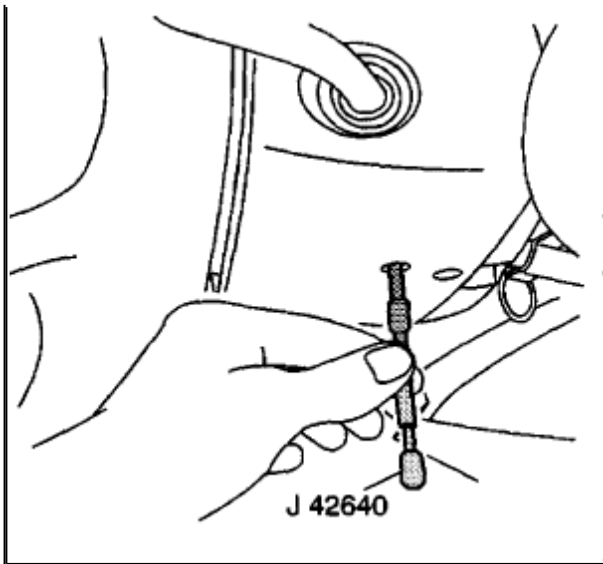
[Zoom](#)[Sized for Print](#)

10. Install the outer [tie rods](#) to the [steering knuckles](#).
11. Install the outer [tie rods](#) retaining nuts.
 - Tighten the outer [tie rod](#) retaining nut (2) to **47 Nm (35 ft. lbs.)** .
 - Tighten the outer [tie rod](#) retaining nut (2) up to 1/6 additional turn, or **70 Nm (52 ft. lbs.)** maximum.

[Zoom](#)[Sized for Print](#)

12. Install the intermediate shaft to the steering gear.
13. Install the intermediate shaft pinch bolt.
 - Tighten the intermediate shaft pinch bolt to **45 Nm (33 ft. lbs.)** .
14. Install the [tires](#) and [wheels](#).
15. Lower the vehicle.





Zoom

Sized for Print

16. Remove J 42640 from the [steering column](#) access hole.
17. Bleed the [power steering](#) system.
18. Adjust front toe.

© 2010 ALLDATA LLC. All rights reserved.
[Terms of Use](#)