

Select Vehicle | New TSBs | Technician's Reference

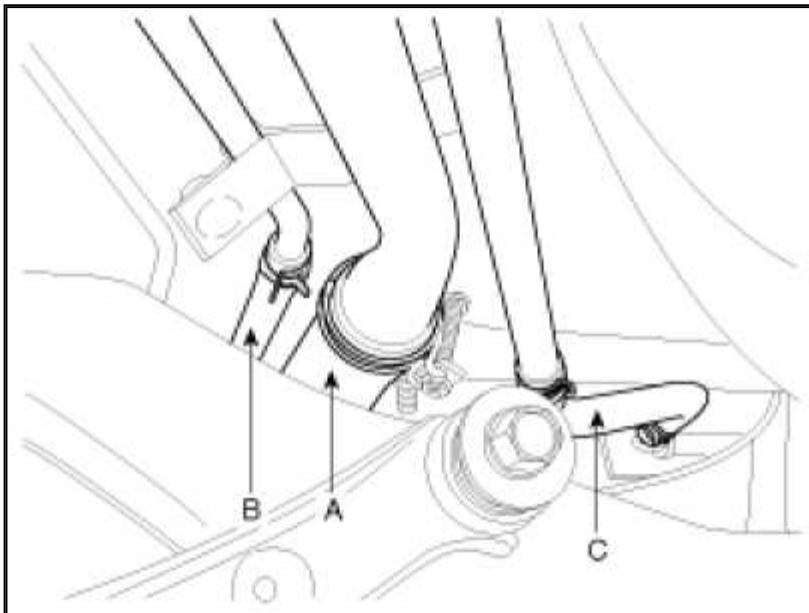
Component Search:

OK

Conversion Calculator

2009 Hyundai Elantra L4-2.0L[Vehicle Level](#) → [Powertrain Management](#) → [Fuel Delivery and Air Induction](#) → [Fuel Filler Neck](#) → [Service and Repair](#) ←**Service and Repair****Removal**

1. Disconnect the fuel filler hose (A), the leveling hose (B) and the vacuum hose (C).

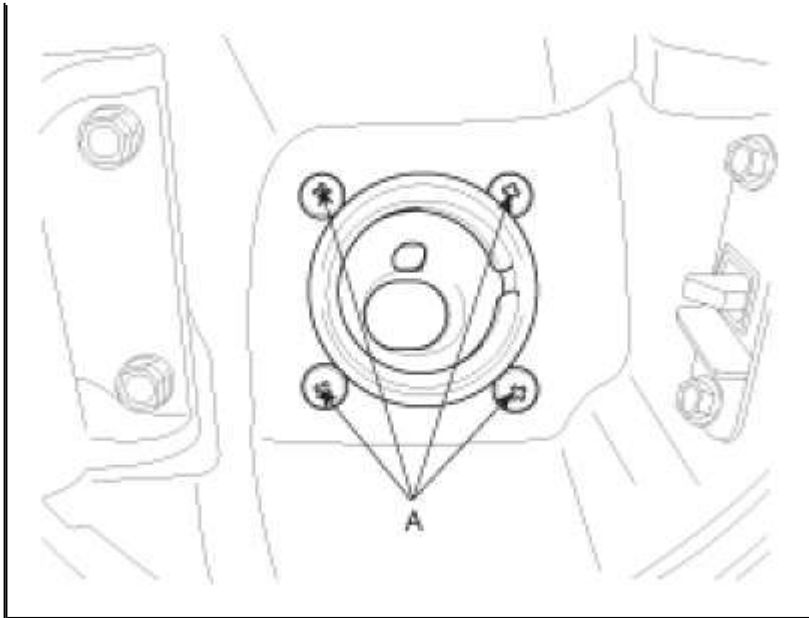


Zoom

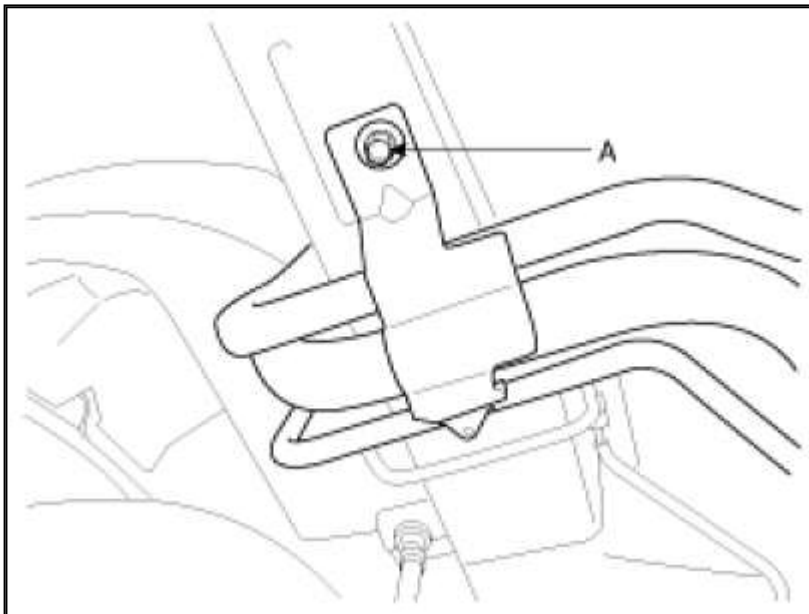
Sized for Print

2. Open the fuel filler door and unfasten the filler-neck assembly mounting screws (A).



[Zoom](#)[Sized for Print](#)

3. Remove the rear-LH wheel, tire, and the inner wheel house.
4. Remove the bracket mounting bolts (A) and remove the filler-neck assembly.

[Zoom](#)[Sized for Print](#)

Installation

1. Installation is reverse of removal.

© 2010 ALLDATA LLC. All rights reserved.
[Terms of Use](#)