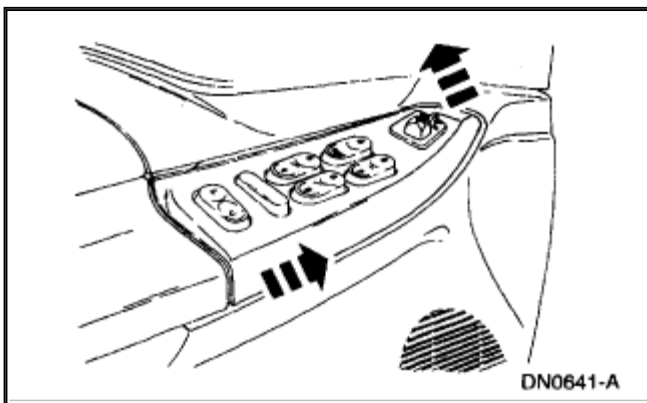


2001 Ford Truck F 250 2WD Super Duty V8-7.3L DSL Turbo VIN F

[Vehicle Level](#) → [Body and Frame](#) → [Locks](#) → [Power Door Lock Switch](#) → [Service and Repair](#) ⇄

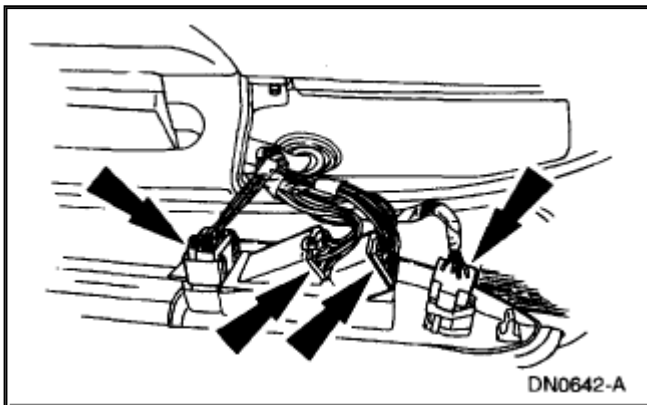
Service and Repair

REMOVAL

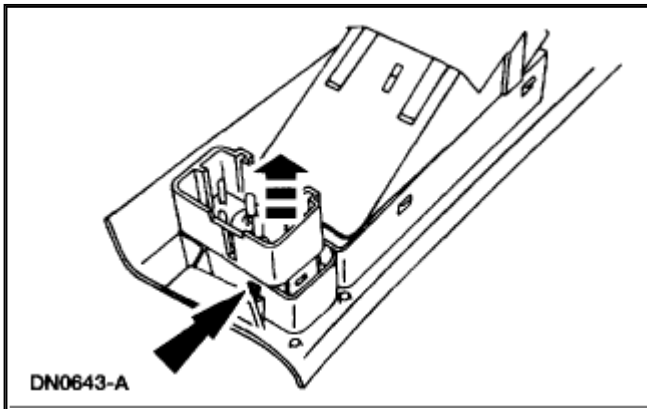


1. Remove the door command center enough to gain access to the electrical connectors.

NOTE : The left front door with power windows and power mirror is shown. The other doors and vehicles without power windows or power mirrors are similar.



2. Disconnect the electrical connectors.
3. Remove the door command center.



Zoom

Sized for Print

4. Release the front and back retaining clips on the door lock control switch and remove the switch.

INSTALLATION

1. To install, reverse the removal procedure.

© 2010 ALLDATA LLC. All rights reserved.

[Terms of Use](#)