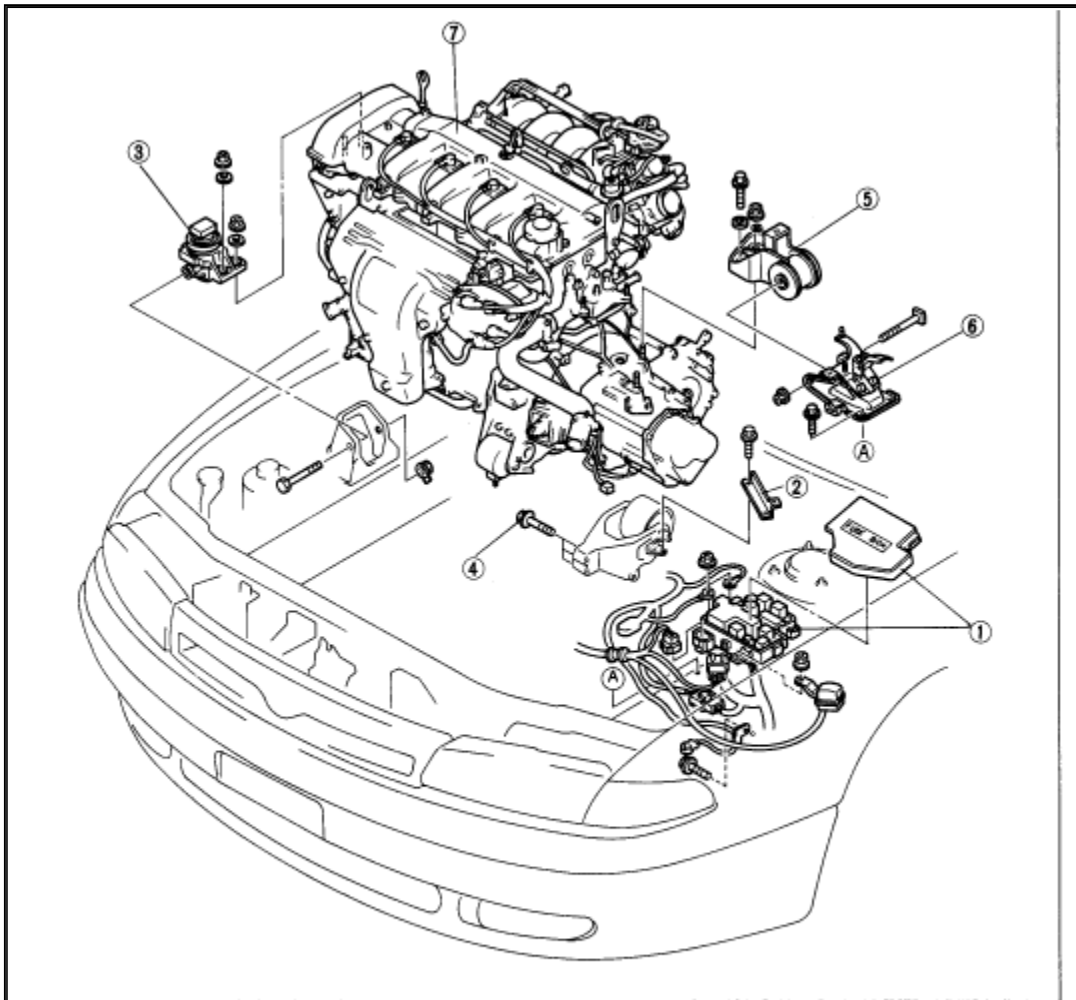


1993 Mazda 626 L4-1991cc 2.0L DOHC

Vehicle Level → Engine, Cooling and Exhaust → Engine → Engine Mount → Service and Repair  
→ Removal ←

Removal

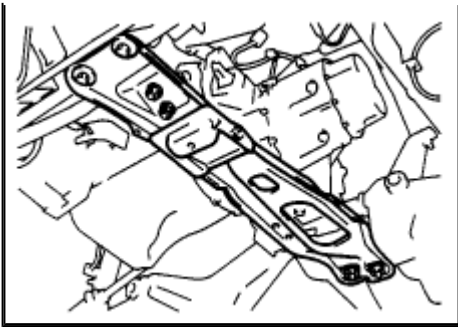


- 1. Fuse box
  - 2. Engine mount No.1 stay bracket
  - 3. Engine mount No.3 rubber
  - 4. Engine mount No.1 bolts
  - 5. Engine mount No.4 rubber
  - 6. Engine mount No.4 bracket
  - 7. Engine and transaxle assembly
- Removal Note..... below

Zoom

Sized for Print

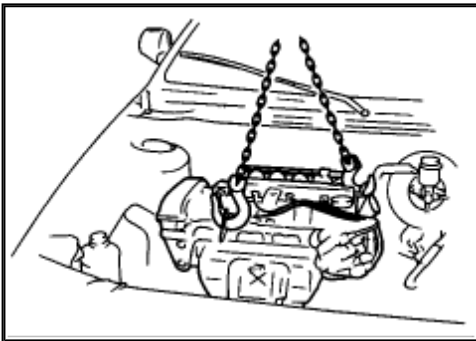


[Zoom](#)[Sized for Print](#)

## Engine mount member

### Caution

- Support the engine before removing the member.

[Zoom](#)[Sized for Print](#)

1. Suspend the engine by using a chain block.
2. Remove the engine mount No.2 nuts.
3. Remove the engine mount member bolts and nuts and remove the engine mount member.

## Removal note: Engine and transaxle assembly

### Caution

Do not damage any components in the engine compartment. Lift the engine and transaxle assembly out as a unit.