

Select Vehicle | New TSBs | Technician's Reference

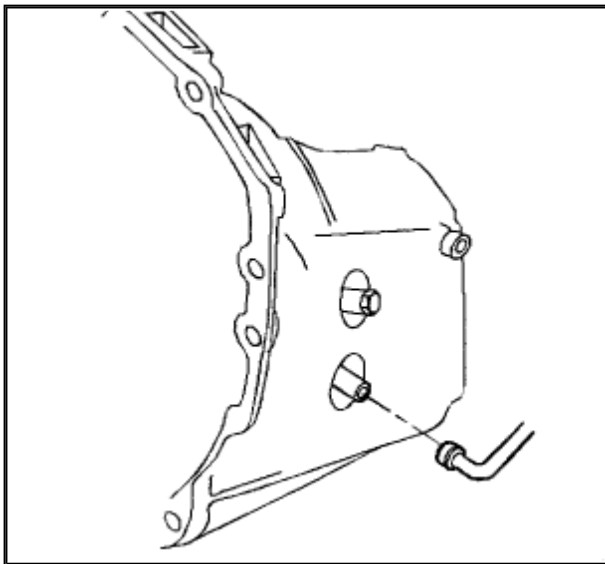
Component Search:

OK

Conversion Calculator

2002 Chevy Truck K 2500 Truck 4WD V8-8.1L VIN G[Vehicle Level](#) → [Transmission and Drivetrain](#) → [Manual Transmission/Transaxle](#) → [Service and Repair](#)
→ [NV4500](#) → [Transmission Replacement](#) ←**Transmission Replacement****Transmission Replacement**

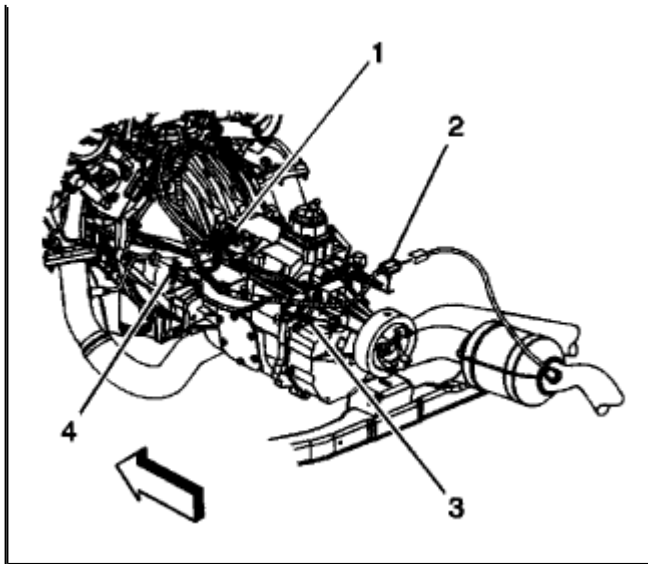
- **Tools Required**
- J 42371 Hydraulic Clutch Line Separator

Removal Procedure

Zoom

Sized for Print

1. Shift the transmission into 3rd or 4th [gear](#).
2. Remove the shift lever assembly.
3. Drain the transmission fluid.
4. If vehicle is a 2 wheel drive (2WD), remove the propeller shaft.
5. If vehicle is a 4 wheel drive (4WD), remove the [transfer case](#).
6. Using J 42371, push back on the white plastic sleeve on the quick connect in order to separate the hydraulic clutch line from the [clutch actuator](#) quick connect.



Zoom

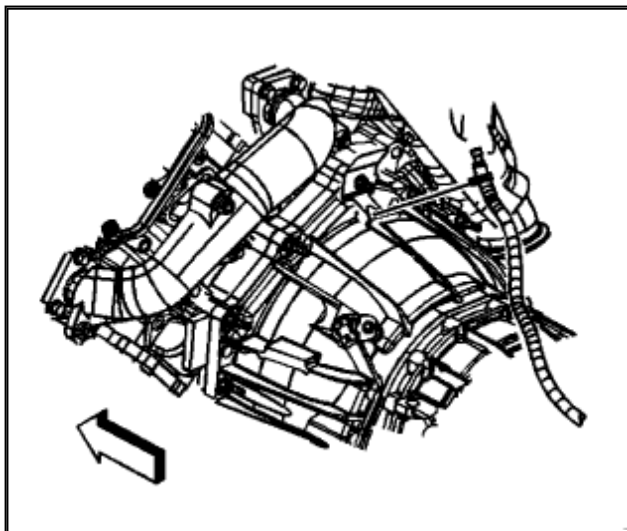
Sized for Print

7. Disconnect the following engine [wiring harness](#) electrical connectors:

- Backup lamp switch (1)
- Vehicle speed sensor (VSS) (3)
- Oxygen sensor (4)

8. Remove the oxygen sensor (2) from the transmission bracket.

9. Remove the engine harness clips from the fuel feed/return line clip/bracket.

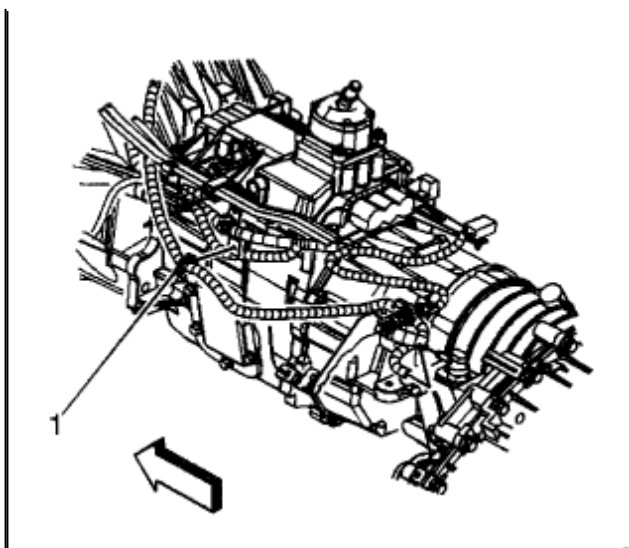


Zoom

Sized for Print

10. If equipped with 4WD, remove the vent hose clip from the bracket.

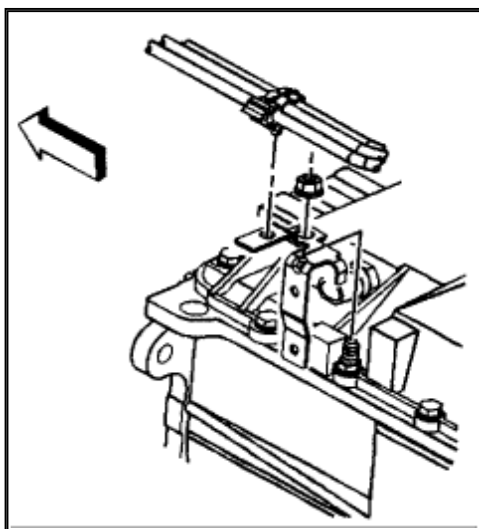




Zoom

Sized for Print

11. If equipped with 4WD, remove the vent hose clip (1) from the fuel feed/return hose bracket.

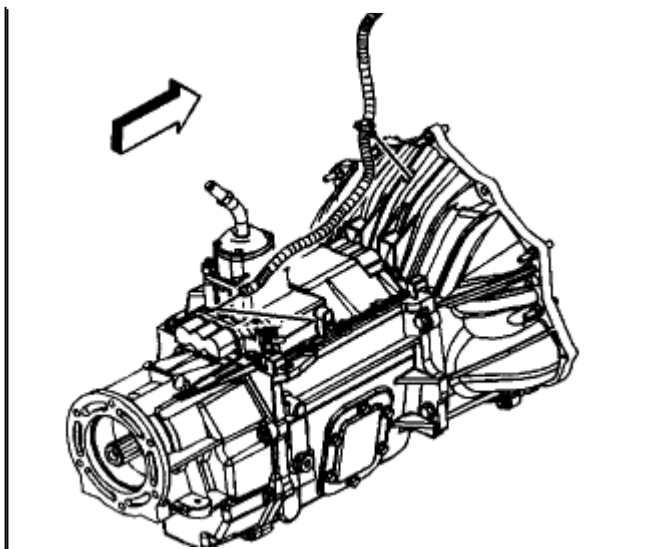


Zoom

Sized for Print

12. If equipped with 4WD, remove the fuel feed/return hose clip from the bracket.
13. Remove the starter.
14. Support the transmission using a suitable transmission jack.
15. Remove the transmission support.

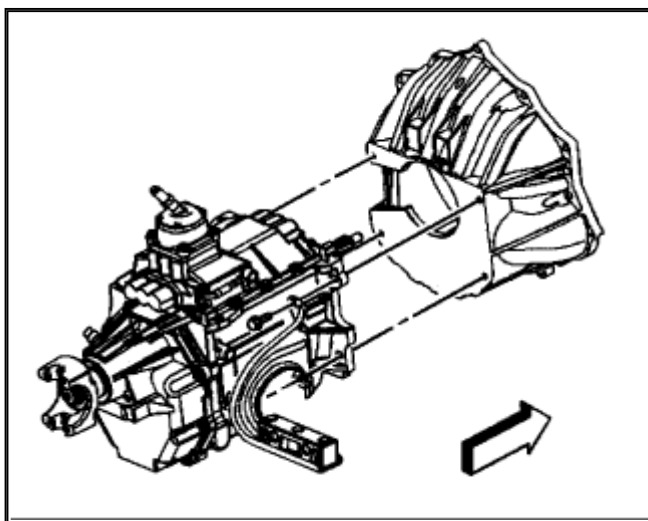




Zoom

Sized for Print

- 16. Disconnect the vent hose from the transmission.
- 17. Remove the vent hose clip from the clutch housing.

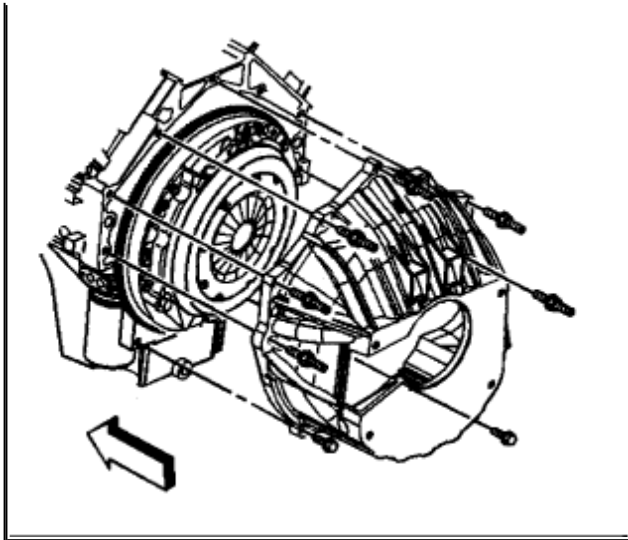


Zoom

Sized for Print

- 18. Remove the transmission to clutch housing bolts.
- 19. Remove the transmission from the clutch housing.



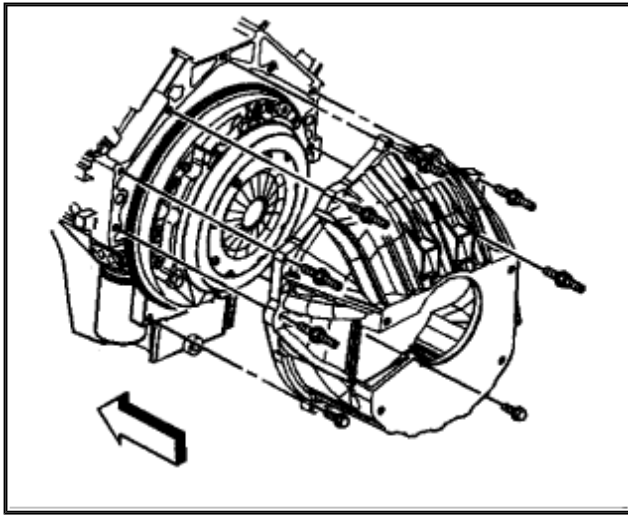


Zoom

Sized for Print

20. If required, remove the clutch housing bolts/studs.
21. If required, remove the clutch housing.

Installation Procedure



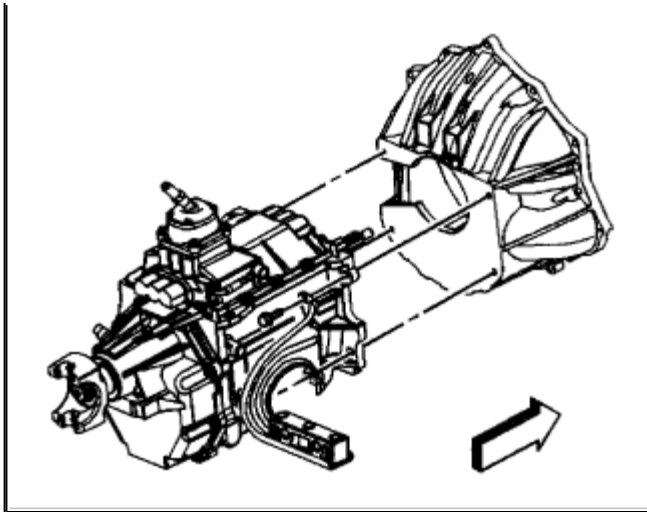
Zoom

Sized for Print

1. If removed, position the clutch housing.

Notice: Refer to Fastener Notice in Service Precautions.

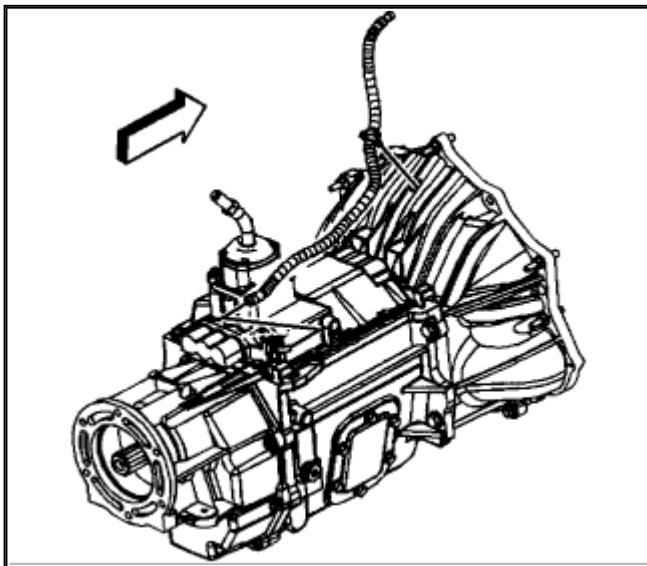
2. If removed, install the clutch housing bolts/studs.
 - Tighten the clutch housing bolts/studs to **50 Nm (37 ft. lbs.)** .



Zoom

Sized for Print

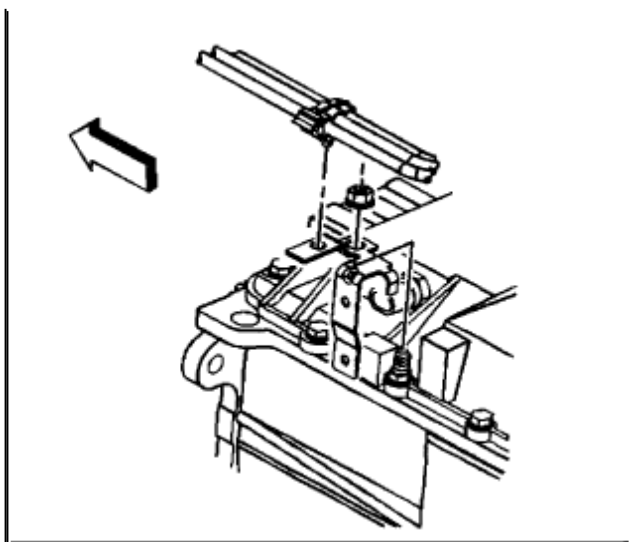
3. Position the transmission to the clutch housing.
4. Install the transmission to clutch housing bolts.
 - Tighten the transmission to clutch housing bolts to **100 Nm (74 ft. lbs.)** .



Zoom

Sized for Print

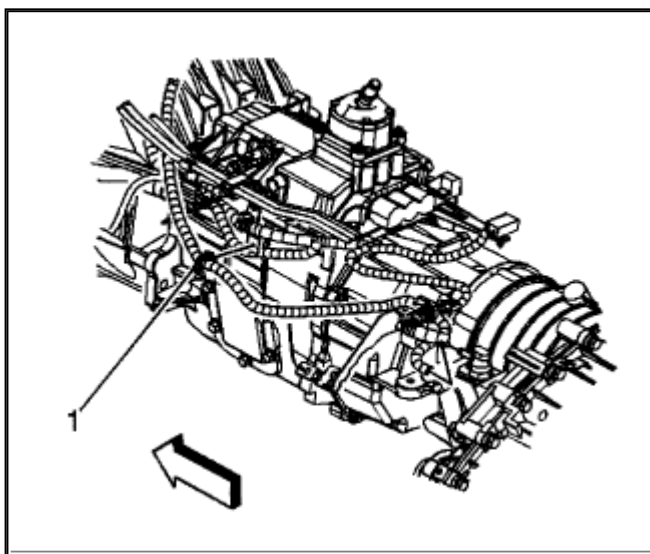
5. Install the vent hose clip to the clutch housing.
6. Connect the vent hose from the transmission.
7. Install the transmission support.
8. Remove the transmission jack.
9. Install the starter.



Zoom

Sized for Print

10. If equipped with 4WD, install the fuel feed/return hose clip to the bracket.

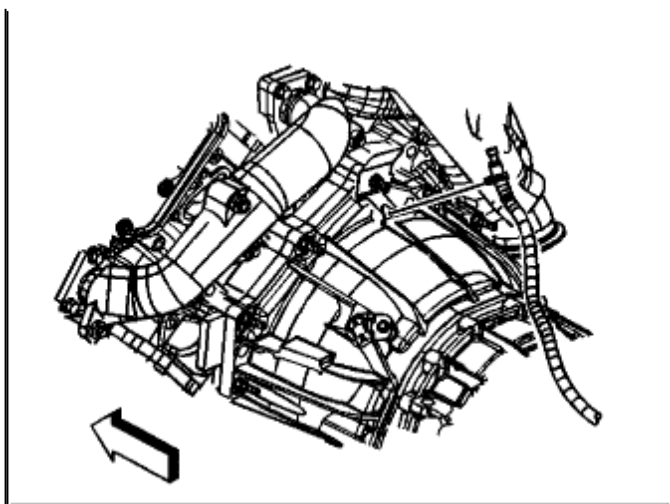


Zoom

Sized for Print

11. If equipped with 4WD, install the vent hose clip (1) to the fuel feed/return hose bracket.

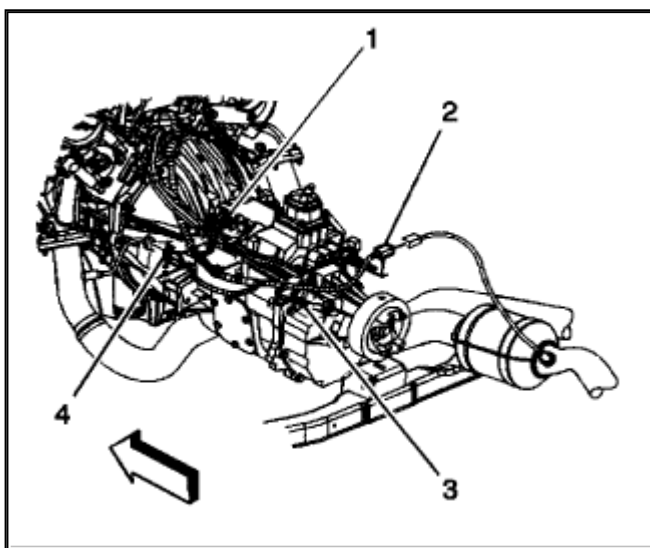




Zoom

Sized for Print

12. If equipped with 4WD, install the vent hose clip to the bracket.



Zoom

Sized for Print

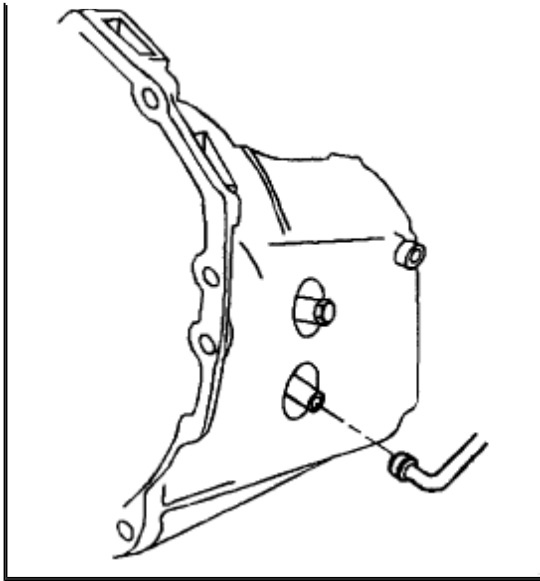
13. Install the engine harness clips to the fuel feed/return line clip/bracket.

14. Install the oxygen sensor (2) to the transmission bracket.

15. Connect the following engine [wiring harness](#) electrical connectors:

- Backup lamp switch (1)
- VSS (a)
- Oxygen sensor (4)





Zoom

Sized for Print

Important: DO NOT rely on an audible click or a visual verification on the [clutch](#) hydraulic hose quick connect fitting connection.

16. Connect the [clutch actuator](#) cylinder hose to the [clutch master cylinder](#) hose.
17. Push together the [clutch](#) hydraulic hose quick connect fittings, then pull back on the fittings to verify engagement.
18. Check the [clutch](#) hydraulic hose for kinks or twists.
19. If vehicle is a 4WD, install the [transfer case](#).
20. If vehicle is a 2WD, install the propeller shaft
21. Fill the transmission fluid.
22. Install the shift lever assembly.
23. Bleed the [clutch hydraulic system](#).

© 2010 ALLDATA LLC. All rights reserved.

[Terms of Use](#)