



[Home](#) | [Account](#) | [Contact ALLDATA](#) | [Log Out](#) | [Help](#)

**DAN GRIMWOOD**  
**DAN GRIMWOOD0002**

Select Vehicle | New TSBs | Technician's Reference

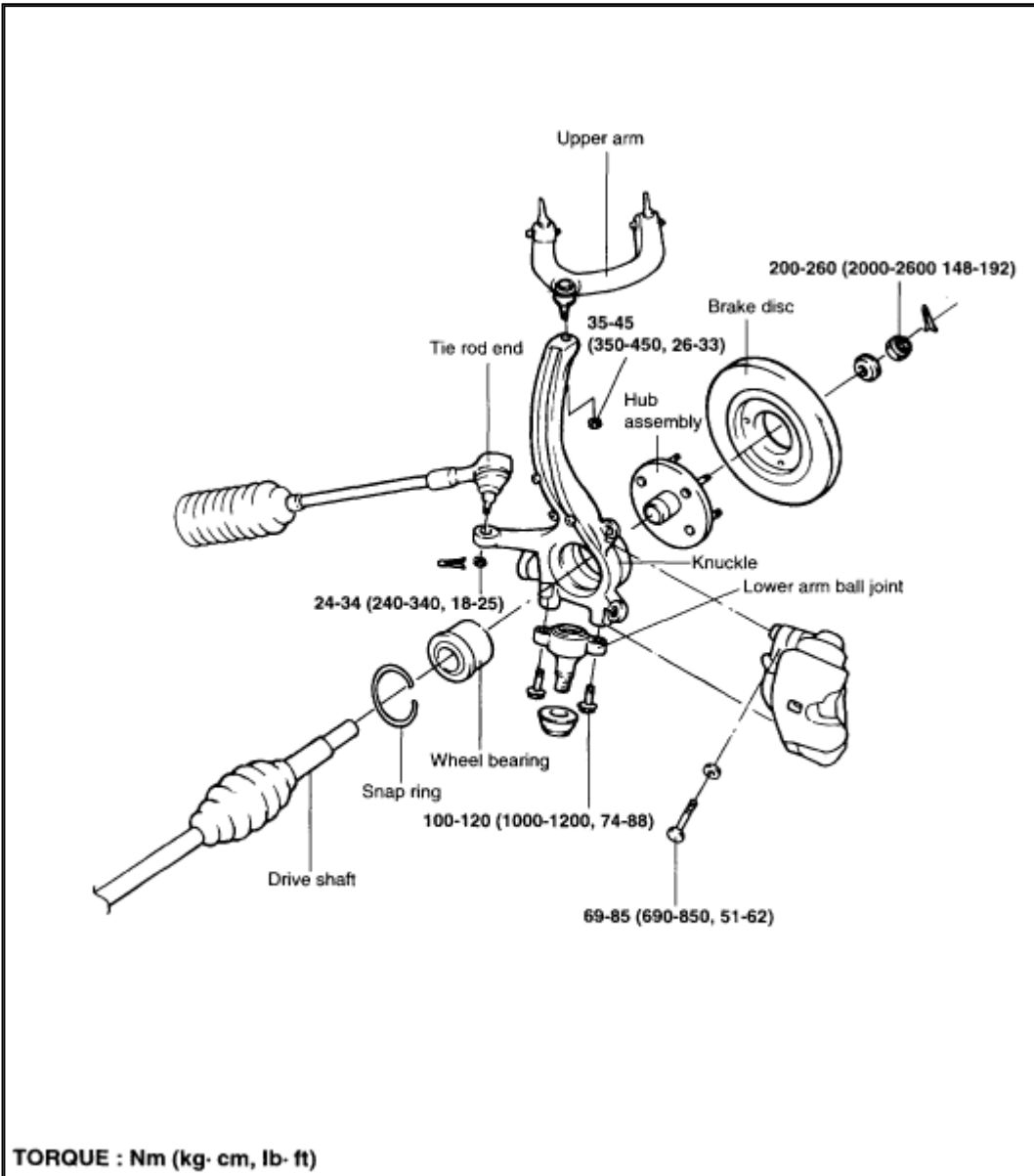
Component Search:

Conversion Calculator

**2000 Hyundai Sonata L4-2.4L**

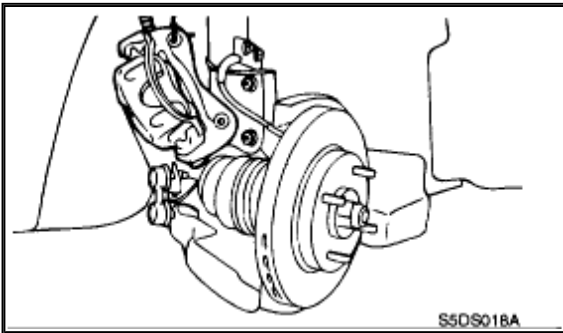
[Vehicle Level](#) → [Transmission and Drivetrain](#) → [Drive Axles, Bearings and Joints](#) → [Wheel Hub](#) → [Service and Repair](#) ←

**Service and Repair**

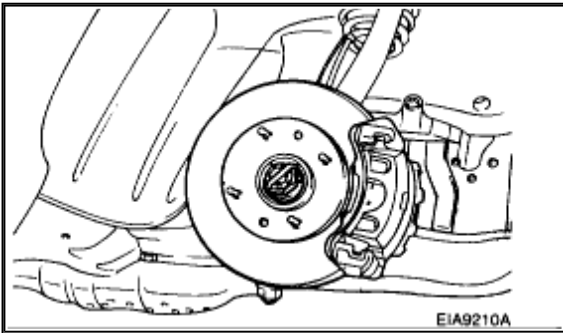


## REMOVAL

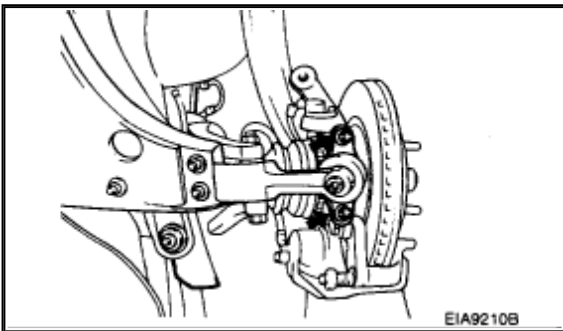
1. Lift up the vehicle and remove the wheel and tire.

[Zoom](#)[Sized for Print](#)

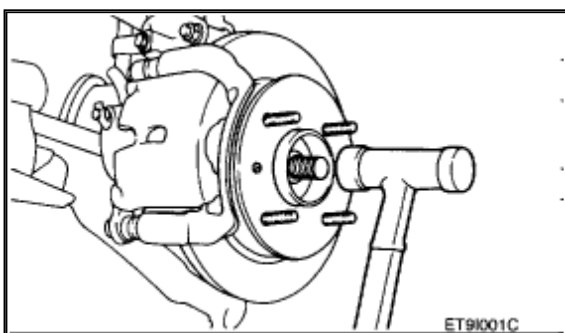
2. Disconnect the wheel speed sensor from the knuckle.
3. Disconnect the brake hose from the knuckle.
4. Remove the caliper assembly and suspend it with wire.

[Zoom](#)[Sized for Print](#)

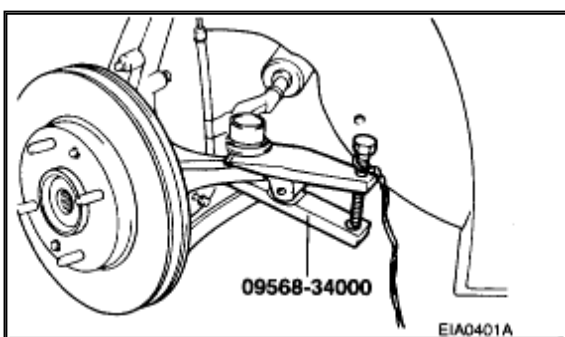
5. Remove the split pin and drive shaft nut from the front hub.

[Zoom](#)[Sized for Print](#)

6. Remove the 2 bolts and disconnect the ball joint from the knuckle.

[Zoom](#)[Sized for Print](#)

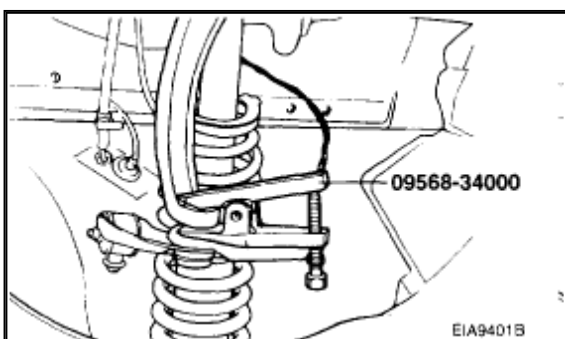
- Using a plastic hammer, disconnect the drive shaft from the axle hub.

[Zoom](#)[Sized for Print](#)

- Using the special tool, disconnect the tie rod end from the knuckle.

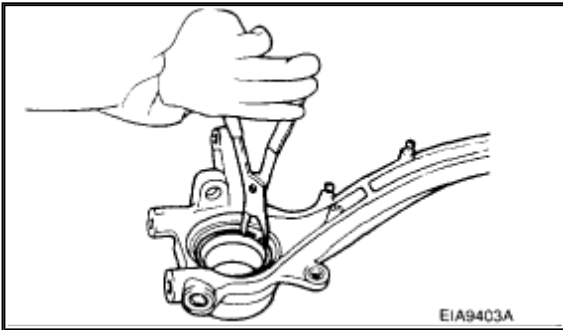
**NOTE:**

- Be sure to tie a cord to the special tool and to a nearby part.
- Loosen the nut but do not remove it.

[Zoom](#)[Sized for Print](#)

9. Loosen the upper arm mounting nut but do not remove it.
10. Using the special tool, disconnect the upper arm from the knuckle.
11. Remove the front axle and knuckle together.
12. Installation is reverse of removal.

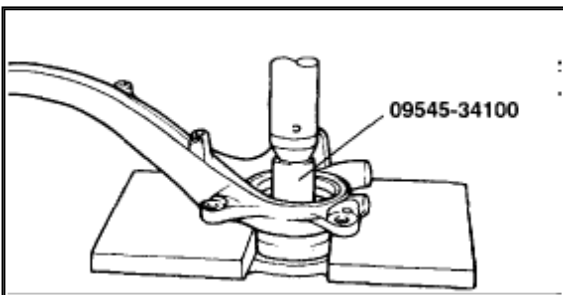
## DISASSEMBLY



Zoom

Sized for Print

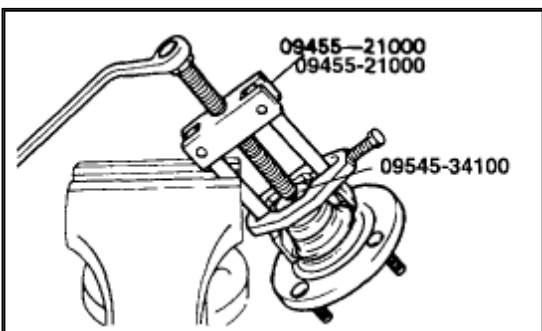
1. Remove the brake disc from the hub.
2. Remove the snap ring.



Zoom

Sized for Print

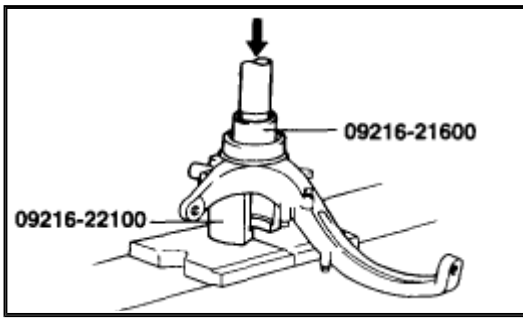
3. Using the special tool, disconnect the hub from the knuckle.



Zoom

Sized for Print

- Using the special tool, remove the [wheel bearing](#) inner race from the hub.

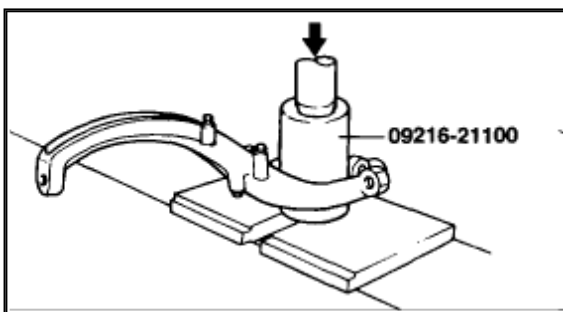
[Zoom](#)[Sized for Print](#)

- Using the special tool, remove the [wheel bearing](#) outer race from the knuckle.

## INSPECTION

- Check the hub for cracks and splines for wear.
- Check the snap ring for crack or damage.
- Check the knuckle inner surface for scoring and cracks.

## REASSEMBLY

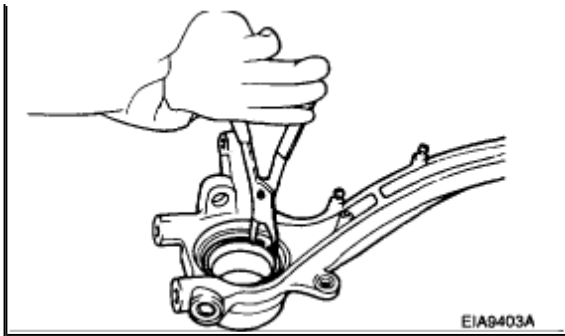
[Zoom](#)[Sized for Print](#)

- Apply thin coat of multi-purpose grease to the knuckle and bearing contact surface.
- Using the special tool, press-in the bearing to the knuckle.

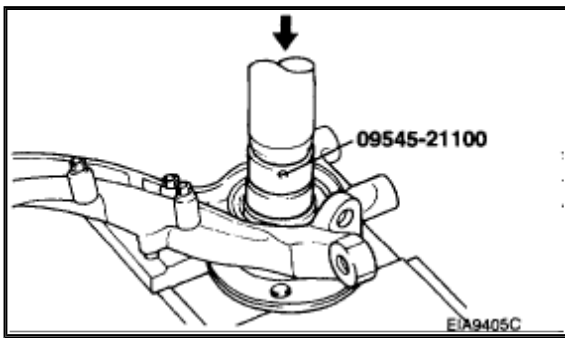
## NOTE:

- Do not press the inner race of [wheel bearing](#). That will cause damage of the bearing assembly.
- When installing bearing assembly, always use the new one.



[Zoom](#)[Sized for Print](#)

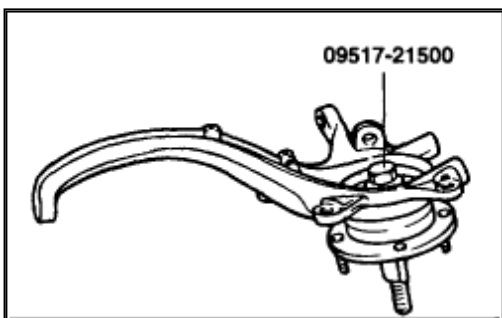
3. Install the snap ring into the groove of knuckle.

[Zoom](#)[Sized for Print](#)

4. Using the special tool, press-in the hub to the knuckle.

**NOTE:**

Do not press the outer race of the [wheel bearing](#). That will cause damage of the bearing assembly.

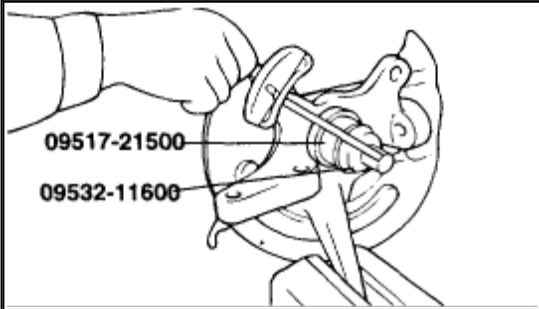
[Zoom](#)[Sized for Print](#)

5. Tighten the hub to the knuckle to **200 Nm (2000 kg-cm, 148 ft. lbs.)** with the special tool.
6. Rotate the hub to seat the bearing.

**Standard value :**  
Starting torque ..... 1.8 Nm (18 kg·cm, 16 lb·ft) or less

Zoom

Sized for Print



Zoom

Sized for Print

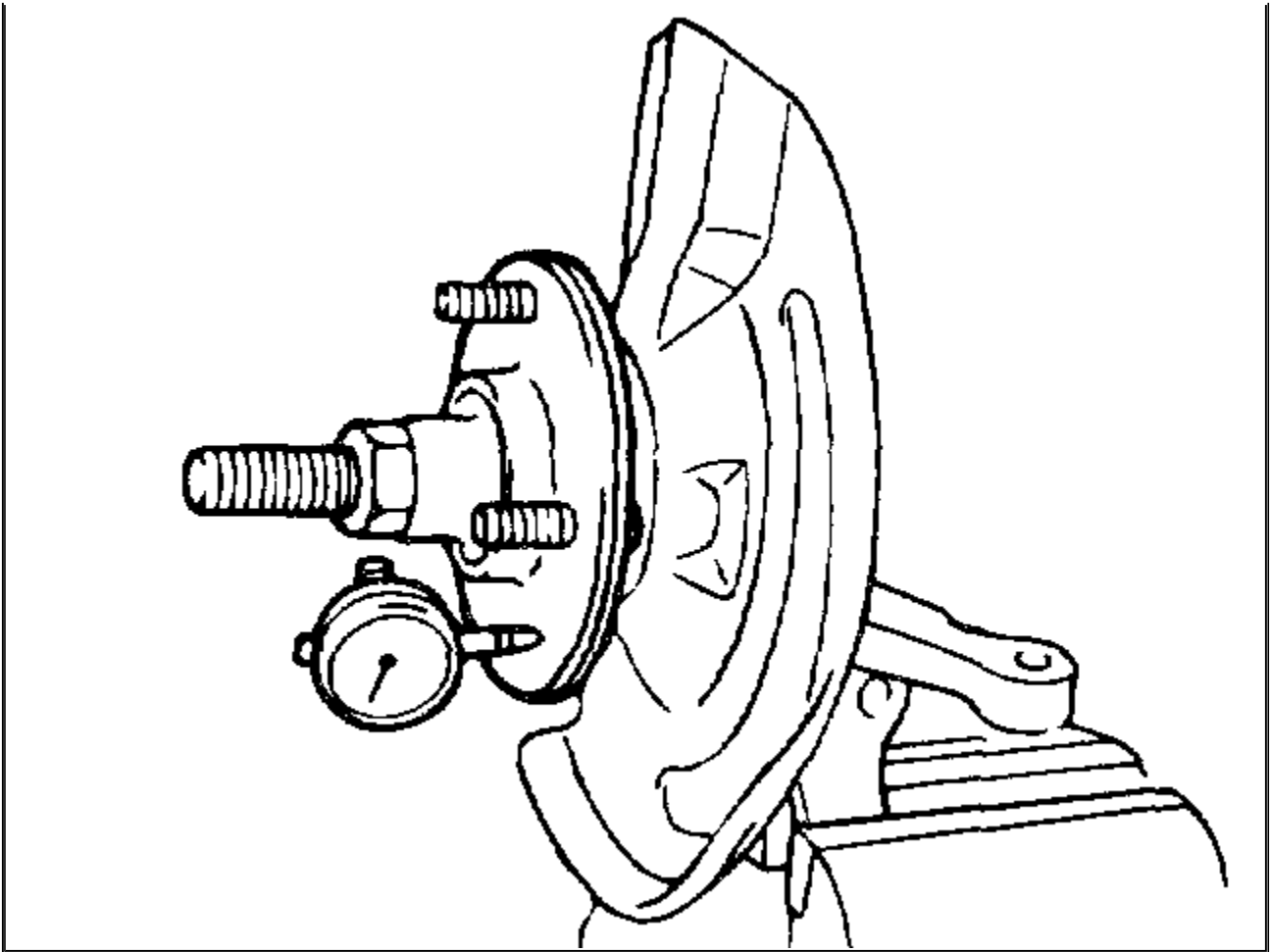
7. Measure the [wheel bearing](#) starting torque.

**Standard value**  
Hub end play ..... 0.008 mm (0.0003 in.) or less

Zoom

Sized for Print



[Zoom](#)[Sized for Print](#)

8. Measure to determine whether the end play of the hub is within the specified limit or not.
9. Remove the special tool.
10. Install the disc to the hub.