

Select Vehicle | New TSBs | Technician's Reference | Component Search:

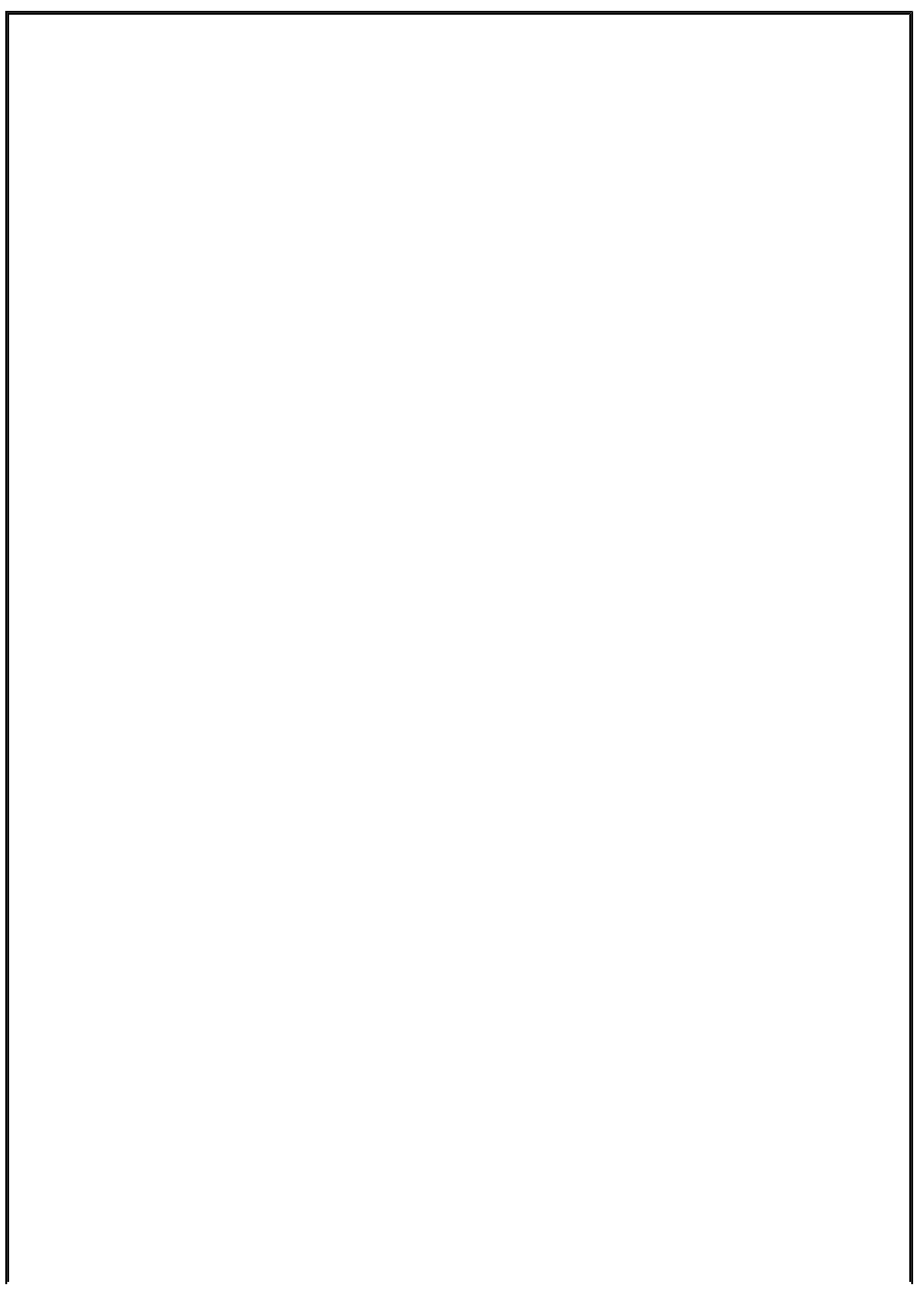
 Conversion Calculator

**2005 Chevy Truck Silverado 3500 2WD V8-6.6L DSL Turbo VIN 2**

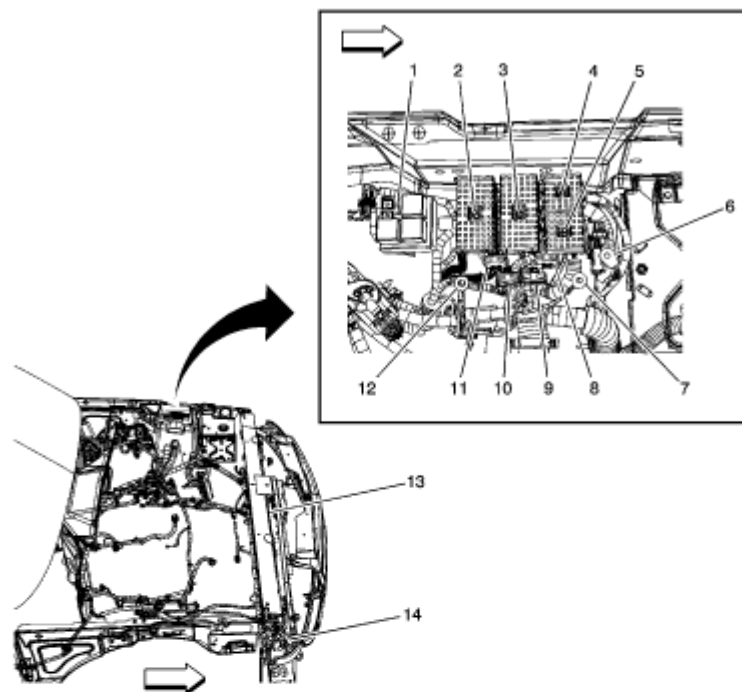
[Vehicle Level](#) → [Powertrain Management](#) → [Fuel Delivery and Air Induction](#) → [Fuel Pump Relay](#)  
→ [Locations](#) ←

### Locations

### FUEL PUMP RELAY



## LEFT FRONT OF ENGINE COMPARTMENT

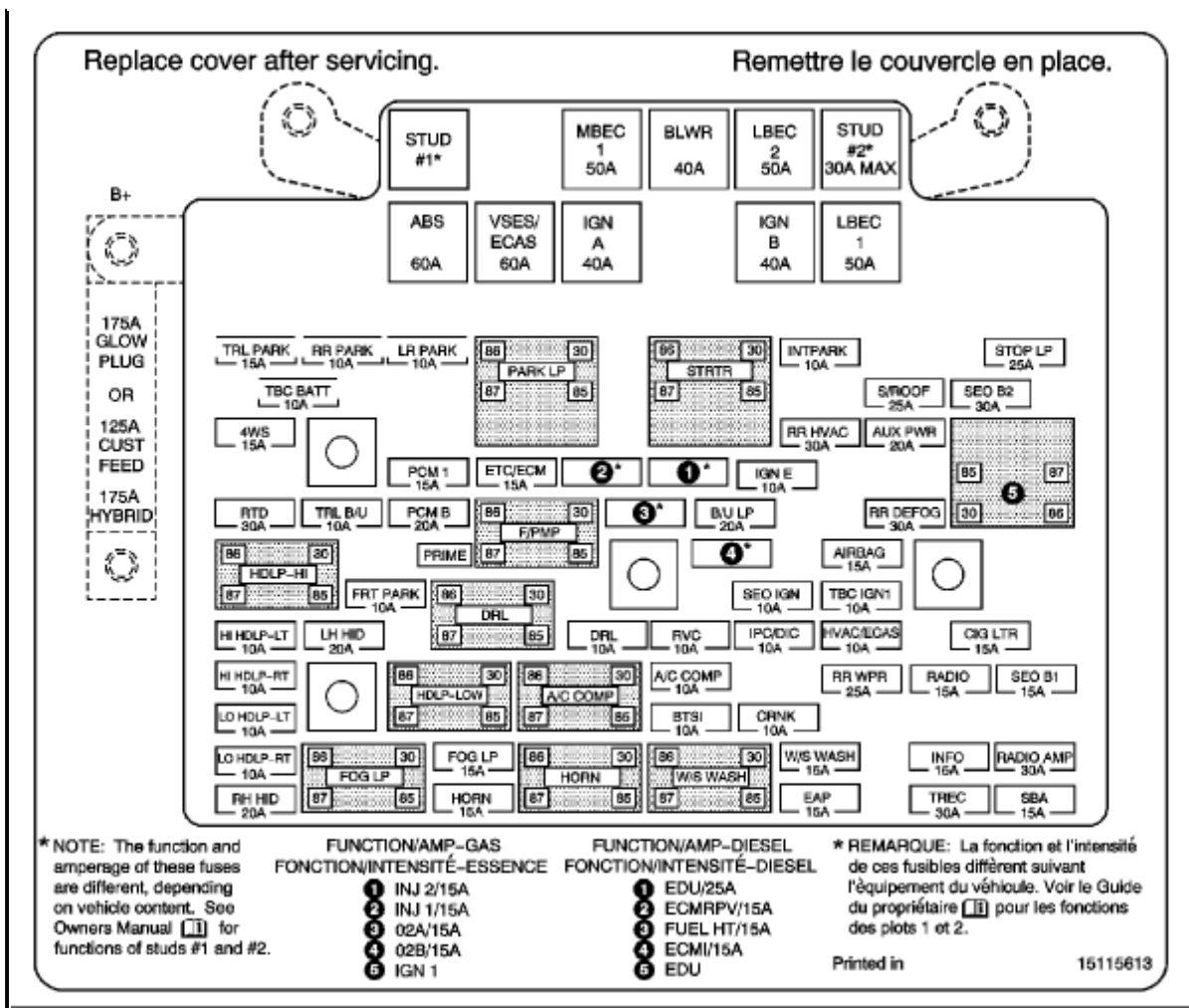


- (1) Fuse Block - Underhood - Cooling Fan
- (2) Fuse Block - Underhood C1
- (3) Fuse Block - Underhood C2
- (4) Fuse Block - Underhood C4
- (5) Fuse Block - Underhood C3
- (6) Battery Positive Voltage (Forward Lamp Harness)
- (7) Battery Positive Voltage (Chassis Harness)
- (8) Fuse Block - Underhood C9
- (9) Fuse Block - Underhood C6
- (10) Fuse Block - Underhood C5
- (11) Fuse Block - Underhood C7
- (12) Battery Positive Voltage (I/P Harness)
- (13) G100
- (14) G115

Zoom

Sized for Print

Fuse Block - Underhood Label



Zoom

Sized for Print

The Fuel Pump Relay is located on the Fuse Block - Underhood Bracket. The Fuse Block - Underhood is located on the left side of the engine compartment to the rear of the battery.

**NOTE:** This is the secondary fuel pump relay used for vehicles with dual tanks only. This vehicle does not use a primary fuel pump relay.