

Select Vehicle | New TSBs | Technician's Reference

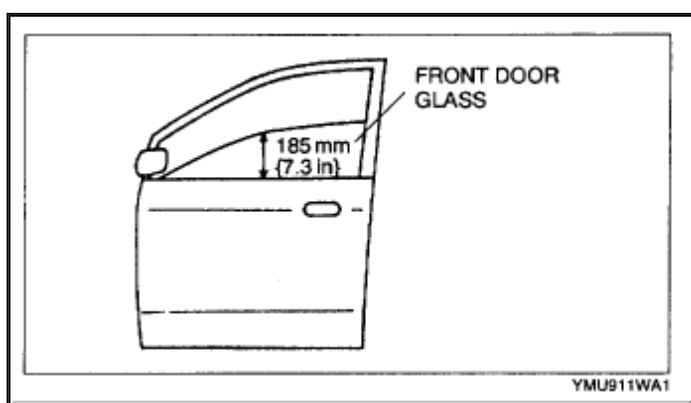
Component Search:

OK

Conversion Calculator

2001 Mazda Truck MPV DX V6-2.5L DOHC

[Vehicle Level](#) → [Body and Frame](#) → [Doors, Hood and Trunk](#) → [Front Door](#) → [Service and Repair](#)
→ [Disassembly and Assembly](#) ←

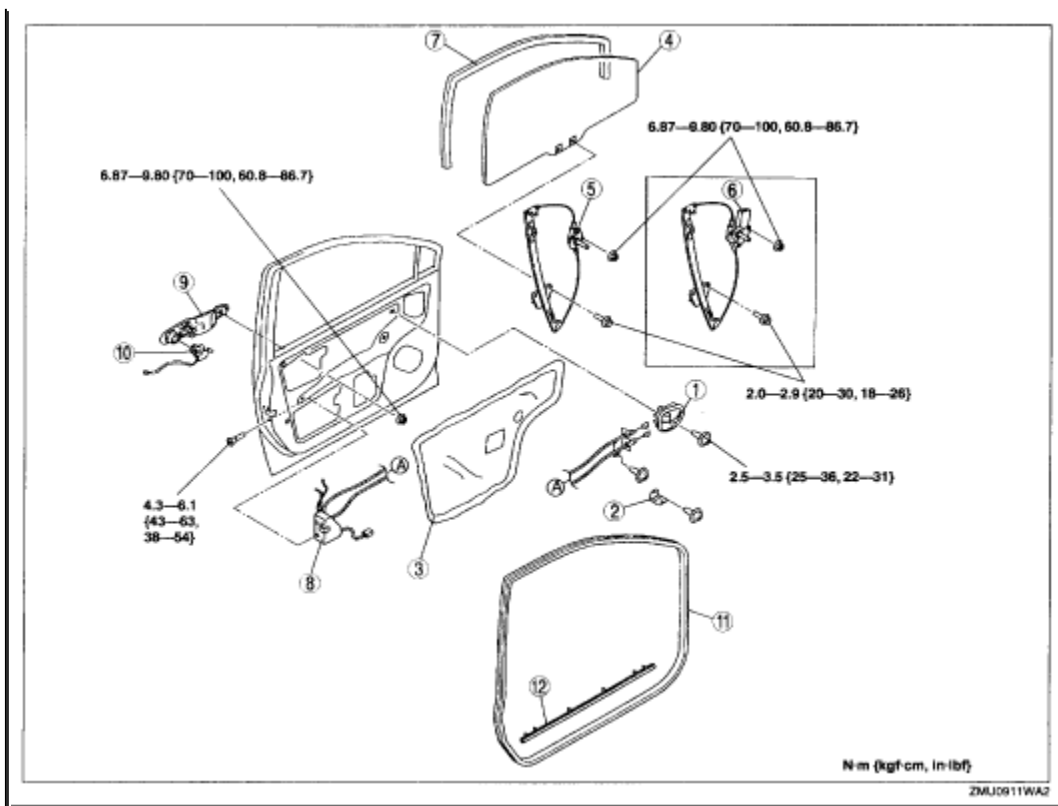
Disassembly and Assembly**FRONT DOOR DISASSEMBLY/ASSEMBLY**

Zoom

Sized for Print

1. Lower or raise the front door glass so that the distance from the top of the front door glass at the rear end to the upper part of the front molding is **185 mm {7.3 in}**
2. Disconnect the negative battery cable.
3. Remove the front door trim.





Zoom

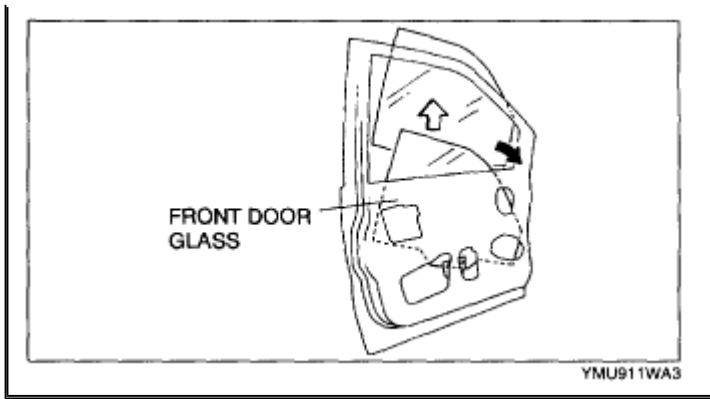
Sized for Print

4. Disassemble in the order indicated below.

1. Inner handle
2. Front door trim bracket
3. Door screen
4. Front door glass
5. Front manual window regulator
6. Front power window regulator
7. Glass run channel
8. Front door lock
9. Outer handle
10. Door key cylinder
11. Door [weatherstrip](#)
12. Door lower [weatherstrip](#)

5. Assemble in the reverse order of disassembly.



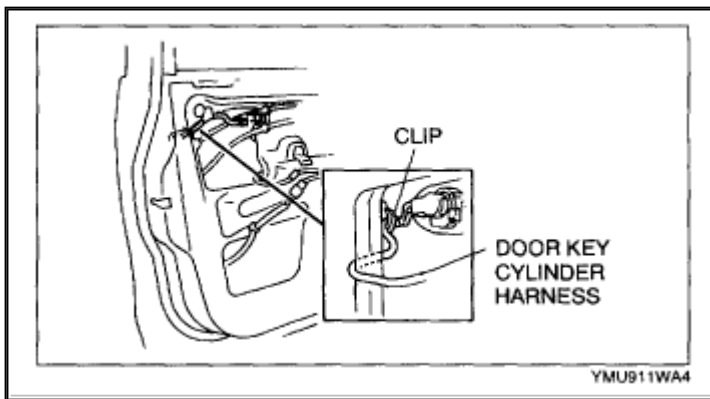


Zoom

Sized for Print

Front Door Glass Disassembly Note

1. Remove the front door glass installation bolts.
2. Slant the front door glass as shown, and remove the front door glass from the inside of the front door.



Zoom

Sized for Print

Outer Handle Assembly Note

1. Connect the door key cylinder harness of outer handle as shown.