

#00-07-30-007A: Whine Noise in Park or Neutral, Service Engine Soon or Service Vehicle Soon Lamp Illuminates (Replace Drive Sprocket Support Bearing) - (Jan 30, 2002)

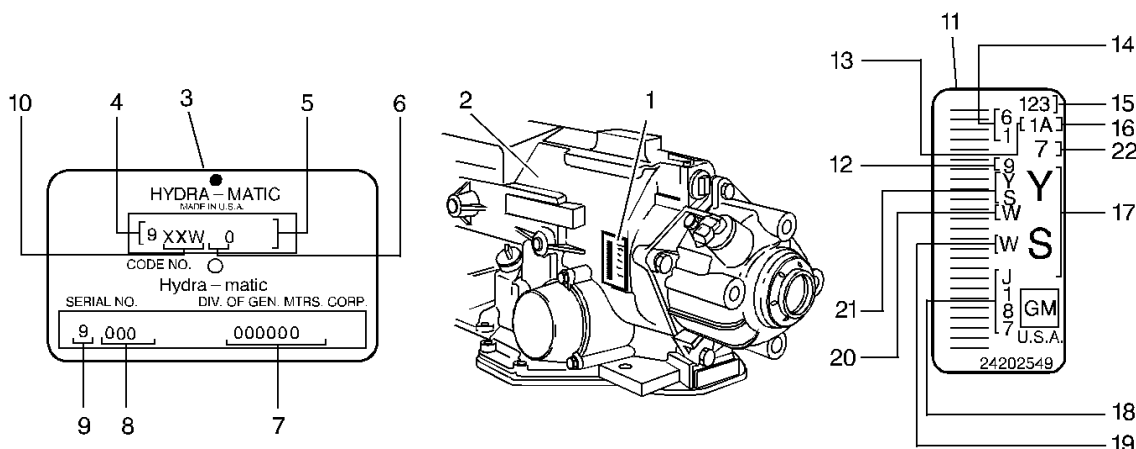
Subject: Whine Noise In Park Or Neutral, Service Engine Soon or Service Vehicle Soon Lamp Illuminates (Replace Drive Sprocket Support Bearing)



Models: 1999-2000 Buick LeSabre, Park Avenue/Ultra, Regal, Riviera
 1999-2000 Chevrolet Lumina, Monte Carlo, Venture
 2000 Chevrolet Impala
 1999 Oldsmobile Eighty Eight
 1999-2000 Oldsmobile Intrigue, Silhouette
 1999-2000 Pontiac Bonneville, Grand Prix, Montana
 with 3.4L, 3.5L or 3.8L Engine (VINs E, H, K, 1 -- RPOs LA1, LX5, L36, L67)
 and Hydra-Matic 4T65-E Transaxle/Transmission (RPOs MN3, MN7, M15)

This bulletin is being revised to add the Chevrolet Impala to the models affected. Please discard Corporate Bulletin Number 00-07-30-007 (Section 07 - Transmission/Transaxle).

Condition



- (1) Transmission ID Location
- (2) SRTA Tag Location
- (3) Hydra-Matic 4T65-E SRTA Tag
- (4) Model Year (9 = 1999)

- (5) Control Number
- (6) Transmission
- (7) Serial Number
- (8) Julian Date
- (9) Calendar Year (9 = 1999)
- (10) Model
- (11) Hydra-Matic 4T65-E ID Tag
- (12) Model Year (9 = 1999)
- (13) Line Built (1 = Line 1; 2 = Line 2; 3 = Line 3; 4 = Line 4)
- (14) Transmission
- (15) Julian Date
- (16) Shift Built (A = First Shift; B = Second Shift; C = Third Shift)
- (17) Model
- (18) Serial Number in Base Code 31
- (19) W = Warren Plant
- (20) Hydra-Matic 4T65-E
- (21) Model

Some owners of the above models equipped with a Hydra-Matic 4T65-E transaxle with a Julian Date prior to 0045 may comment on a whine noise in PARK and/or NEUTRAL or a Service Engine Soon or Service Vehicle Soon lamp that is illuminated. Upon investigation, a DTC P0741 or P0742 may be found.

Cause

The above condition may be due to drive sprocket support bearing fluting and/or bearing failure.

Correction

Replace the drive sprocket support bearing. Inspect the channel plate and drive sprocket for any abnormal wear, Turbine shaft for cut seals and/or nicks, and chain for excessive play due to failed bearings.

Important: When installing the new bearing, the part number **MUST** be visible (facing upward). Before installing the drive sprocket, lubricate the bearing assembly with J 36850 assembly lubricant.

Refer to the 4T65-E Unit Repair Section for the installation procedure.

Service Parts Information

Part Number	Description
24214158	Drive Sprocket Support Bearing

Parts are currently available from GMSPO.

Warranty Information

For vehicles repaired under warranty, use:

Labor Operation	Labor Time
K7522	Use Published Labor Operation Time

GM bulletins are intended for use by professional technicians, NOT a "do-it-yourselfer". They are written to inform these technicians of conditions that may occur on some vehicles, or to provide information that could assist in the proper service of a vehicle. Properly trained technicians have the equipment, tools, safety instructions, and know-how to do a job properly and safely. If a condition is described, DO NOT assume that the bulletin applies to your vehicle, or that your vehicle will have that condition. See your GM dealer for information on whether your vehicle may benefit from the information.