

# #09-08-67-003: Sunshade Will Roll Out When Panoramic Sunroof Is Closed, But Will Not Rewind When Opening Sunroof (Add Washer, Reinstall Sunshade) - (Jan 28, 2009)

**Subject:** Sunshade Will Roll Out When Panoramic Sunroof Is Closed, But Will Not Rewind When Opening Sunroof (Add Washer, Reinstall Sunshade)



**Models:** 2005-2007 Pontiac G6  
2007 Saturn AURA

---

## Condition

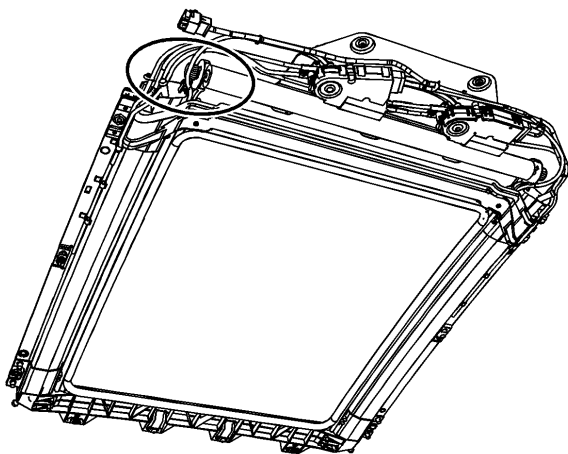
Some customers may comment that upon activation of the sunroof sunshade switch, the sunshade will roll out when the sunroof is closed; however, it will not rewind while opening the sunroof.

## Cause

While remaining connected to the sunroof module, the sunshade assembly may experience enough cross-car movement to disengage the sunshade's spring tension.

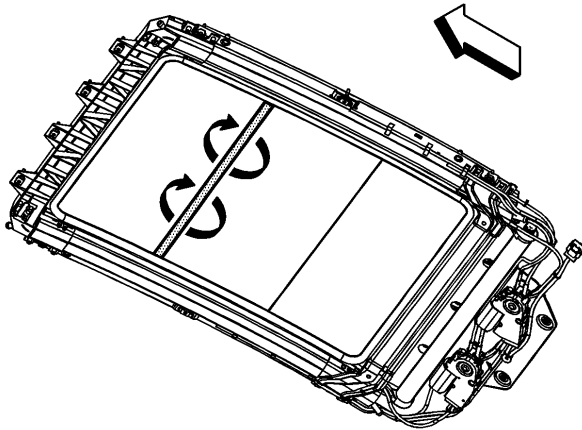
## Correction

Install a 2 mm thick, non-metallic washer in order to reduce the cross-car travel of the sunshade assembly.

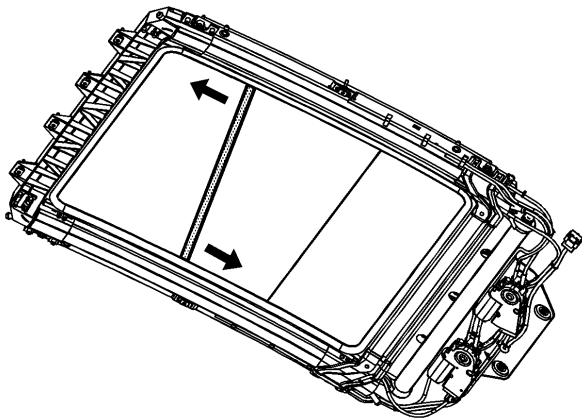


**Important:** The addition of the washer **MUST** be done on the left side of the sunshade assembly. If done on the right side, the washer will block an access hole sometimes needed to lock the spring tension of the sunshade.

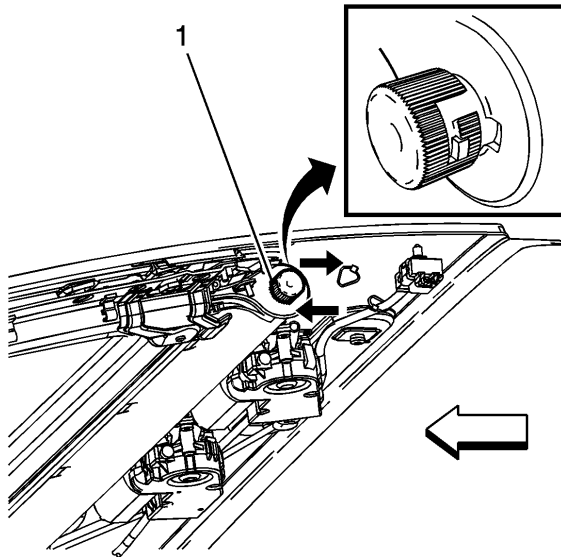
1. Cycle the sunshade until the front crossmember is positioned in the opening in the headliner.
2. Lower the headliner. Refer to Headlining Trim Panel Replacement in SI.



3. Grasping the front corners of the sunshade, roll the crossmember upward and forward to release the crossmember from the guide blocks on the sunroof frame.



4. Pull forward and turn outward to release the sunshade from the tracks of the sunroof frame.
5. Roll the sunshade rearward until the front crossmember passes over the rear sunroof support.



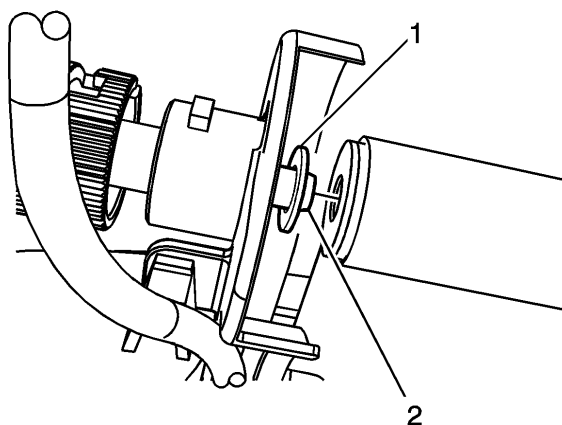
6. Remove the end cap (1) on the left side that holds the sunshade spring in place.
7. Remove the sunshade from the sunroof assembly.
8. Roll the sunshade up and place tie wraps at each end of the sunshade. This will prevent the sunshade from unwrapping during installation.
9. Install the right end of the sunshade to the slot in the end plate on the sunroof frame.
10. Position the sunshade to the sunroof assembly.

**Important:** An assistant will be needed to hold the sunshade in order to maintain spring tension during installation of the sunshade front crossmember. Otherwise, spring tension may unwind and the rewind step will have to be repeated.

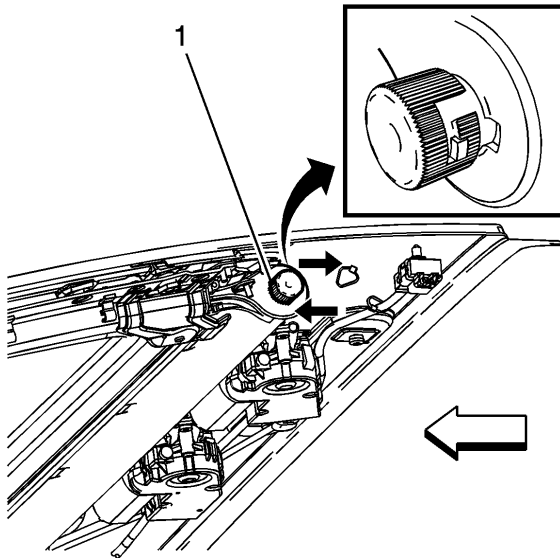
11. Rewind the sunshade 21 times in a counterclockwise direction to re-engage the spring tension.

**Note:** Approximate washer dimensions of 7-9 mm I.D. and less than 20 mm O.D are recommended, but the 2.0 mm thickness is critical.

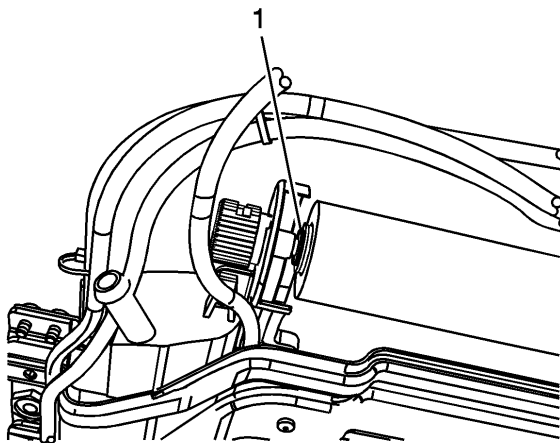
12. During installation of the spring and end cap on the left side, add a 2 mm thick, non-metallic washer (obtained locally).
  - 12.1. Partially insert the end cap pin through the opening in the end plate on the sunroof frame.



12.2. Install the 2 mm thick, non-metallic washer (1) onto the end cap pin (2).

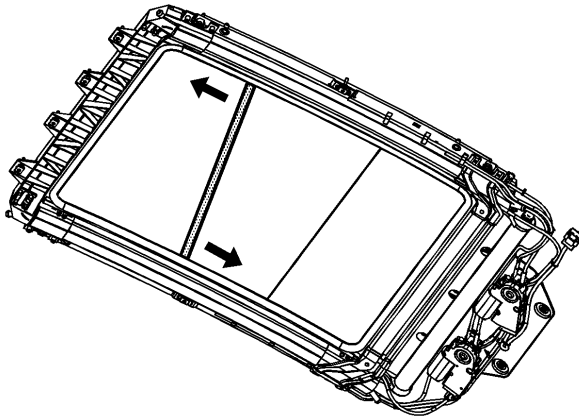


12.3. Push inward on the end cap to engage the pin into the sunshade insert while turning counterclockwise to lock in place.

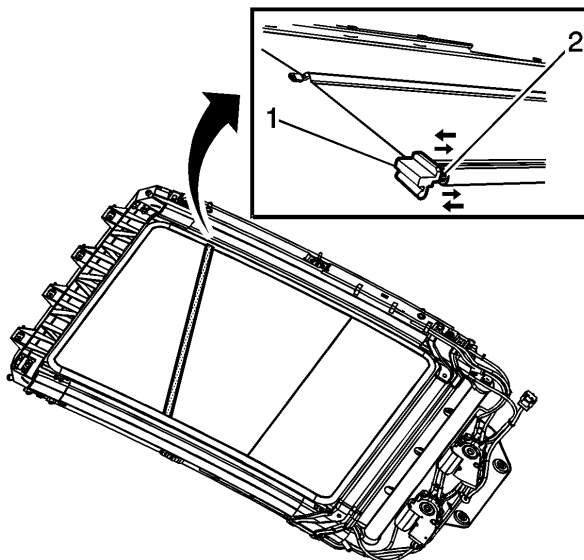


12.4. The washer (1) should be retained in position between the sunshade insert and the step on the end cap pin.

13. With an assistant holding the sunshade to maintain spring tension, remove the tie wraps on each end.
14. While still maintaining spring tension on the sunshade, feed the front crossmember over the rear sunroof support.



15. Pull forward and turn outward to engage the sunshade into the tracks of the sunroof frame.



16. Install the sunshade front crossmember to the guide blocks (2) located on each side of the sunroof frame.
17. Inspect the sunroof for proper operation.
18. Reinstall the headliner. Refer to Headlining Trim Replacement in SI.

## Warranty Information

For vehicles repaired under warranty, use:

<b>Labor Operation</b>	<b>Description</b>	<b>Labor Time</b>
B2900	Sunroof Sunshade - Replacement or Reinstall	Use Published Labor Operation Time

GM bulletins are intended for use by professional technicians, NOT a "do-it-yourselfer". They are written to inform these technicians of conditions that may occur on some vehicles, or to provide information that could assist in the proper service of a vehicle. Properly trained technicians have the equipment, tools, safety instructions, and know-how to do a job properly and safely. If a condition is described, DO NOT assume that the bulletin applies to your vehicle, or that your vehicle will have that condition. See your GM dealer for information on whether your vehicle may benefit from the information.