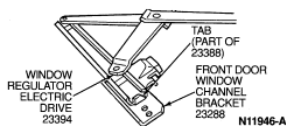


**Door Glass and Regulator, Power Windows****Removal**

**WARNING:** IF THE REGULATOR COUNTERBALANCE SPRING MUST BE REMOVED OR REPLACED FOR ANY REASON, MAKE SURE THAT THE REGULATOR ARMS ARE IN A FIXED POSITION PRIOR TO REMOVAL TO PREVENT POSSIBLE INJURY DURING C-SPRING UNWIND.

1. Remove front door trim panel (23942) and front door inside panel sound insulator (20394) . Refer to [Section 01-05](#).
2. Remove inside door belt weatherstrip.
3. Remove front door window glass (21410) as described.
4. Remove two nut and washer assemblies attaching the window regulator equalizer arm bracket (23230) .
5. Remove four rivets for RH side (six for LH side) retaining the front door window regulator base plate to door inner panel.
6. Remove front door window regulator (23200) and front door window channel bracket (23288) from vehicle.
7. Working on a bench, carefully bend tab flat to remove front door window regulator arm slides from front door window channel bracket.
8. **NOTE: Use care not to break tab; if tab is cracked or broken, replace front door window channel bracket . Make sure rubber bumper is installed properly on new front door window channel bracket , if replacement is made.**

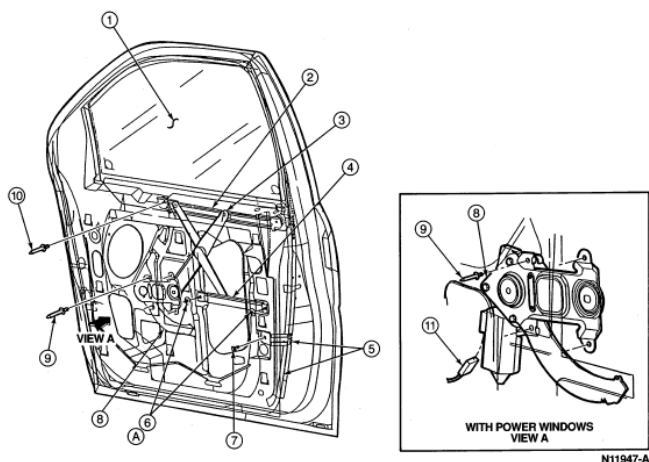
Install new front door window regulator arm plastic guides into front door window channel bracket and bend tab back to 90 degrees.

**Installation**

**NOTE: The front door window channel bracket and window regulator electric drive (23394) are installed into the vehicle as one assembly. The front door window channel bracket may be disassembled from the window regulator electric drive as described in Door Glass and Regulator, Power Windows.**

1. Install window regulator electric drive with preassembled front door window channel bracket into vehicle. Set the regulator base plate to door inner panel using base plate locator tab as a guide.
2. **NOTE: Two 1/4-20 x 1 inch bolts and two 1/4-20 nut and washer assemblies may be used as alternates for glass retention. However, torque must not exceed 4-7 Nm (36-61 lb-in). Equivalent metric retainers may be used.**  
Install four rivets to retain front door window regulator to door inner panel.
3. Install window regulator equalizer arm bracket .
4. Lower front door window regulator arms to access holes in door inner panel. Install front door window glass as described.
5. Install inside door belt weatherstrip.
6. Adjust front door window glass to make sure it is properly aligned with glass run. Check window for smooth operation.
7. Install front door trim panel and front door inside panel sound insulator . Refer to [Section 01-05](#).

**Door Glass and Regulator**



Item	Part Number	Description
1	21410	Front Door Window Glass
2	23288	Front Door Window Channel Bracket
3	23394	Window Regulator Electric Drive
4	23230	Window Regulator Equalizer Arm Bracket
5	222A00	Front Door Glass Run Latch Side Retainer
6	N621906-S36	Nut and Washer
7	N800510-S36	Screw
8	23200	Front Door Window Regulator
9	W525172-S	Rivet (4 Req'd Each Side)
10	W525175-S	Rivet
11	—	Wire Connector (Part of 14630 Wire Assembly)
A	—	Tighten to 7-10 Nm (62-88 Lb-In)