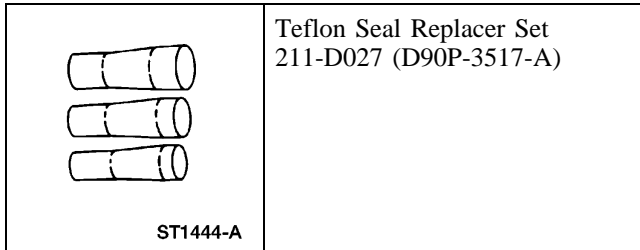


REMOVAL AND INSTALLATION

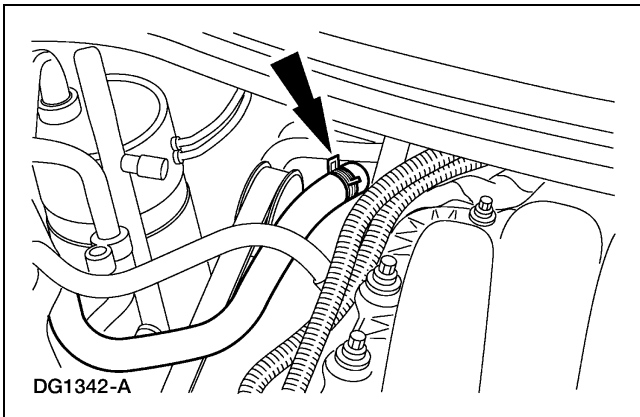
Pump — CIII

Special Tool(s)

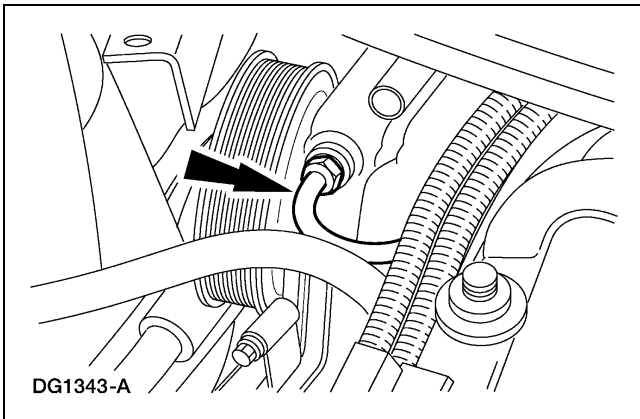


Removal

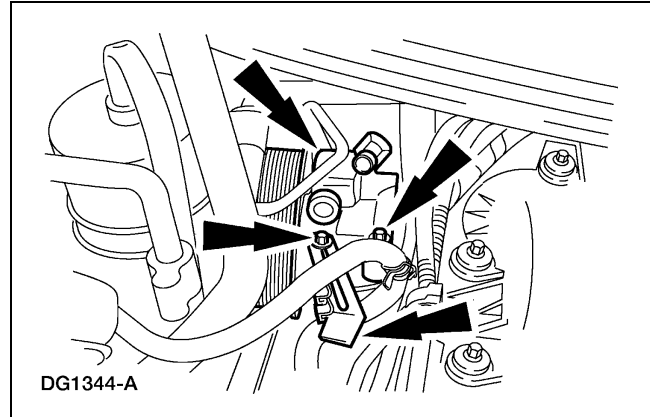
1. Remove the drive belt. For additional information, refer to Section 303-05.
2. Disconnect the power steering reservoir pump hose (3E525).



3. Disconnect the power steering hose (3A719). Remove and discard the seal.



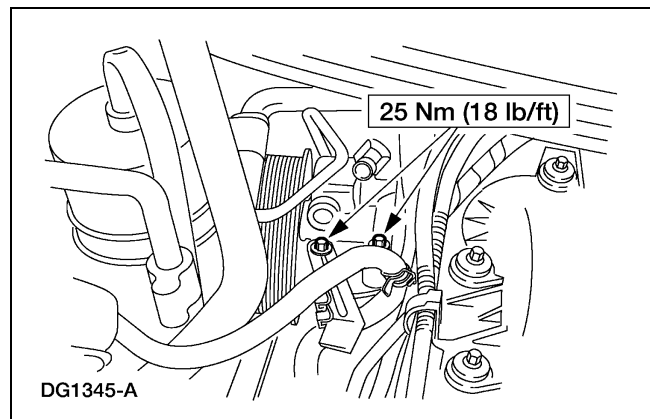
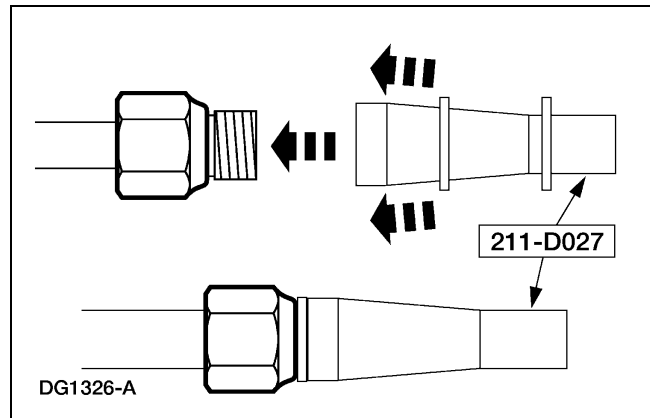
4. Remove the four bolts, two brackets and power steering pump (3A674).



5. Remove the power steering pump pulley. For additional information, refer to Pulley — CIII Pump in this section.

Installation

1. To install, reverse the removal procedure.
 - Using the special tool, install a new seal on the power steering hose.



REMOVAL AND INSTALLATION (Continued)

