

**WATER IN THE BLOWER CASE—BLOWER MOTOR AND/OR RESISTOR FAILURE—VEHICLES BUILT 5/1/2001 TO 12/15/2003**

**TSB 04-15-3**

**FORD:**  
2001-2004 Taurus

**MERCURY:**  
2001-2004 Sable

This article supersedes TSB **03-15-06** to update the vehicle model years and build date information.

**ISSUE**

Some vehicles built between 5/1/2001 and 12/15/2003 may exhibit water in the blower case or on the passenger side floor, an inoperative climate control blower motor, a motor that operates on high speed only, and/or a blower motor resistor failure.

**ACTION**

Inspect and seal cowl area and install Rain-Hat Extension Seal. Inspect and replace blower motor and/or blower motor resistor if there is evidence of water/corrosion. Refer to the following Service Procedure for details.

**SERVICE PROCEDURE**

1. Access blower motor and resistor per the Workshop Manual Sections 412-02 and 412-04. Inspect for evidence of water/corrosion. If water/corrosion are found or parts have failed, replace per Workshop Manual (blower motor 1F1Z-19805-AA and resistor F6DZ-19A706-AA).
2. Visually inspect the Cowl Vent Screen located under the RH windshield wiper to verify if the screen is fully seated. Inspect the rubber seal on the vent screen which should be fully seated against the windshield. If the cowl vent screen is not fully seated and appears warped, it must be replaced (4F1Z-54018A16-BAA).

3. Remove the cowl vent screen per the Workshop Manual Section 412-01 Pollen Filter Removal and inspect the cabin filter to confirm it is fully seated. Re-seat the filter as necessary. Inspect rain-hat base to make sure it is secure and sealed to the body. Reposition and reseal as necessary using Clear Silicone Rubber TA-32.
4. Remove the foam sealant expulsion at lower front outboard corner base of the rain-hat (Figure 1).

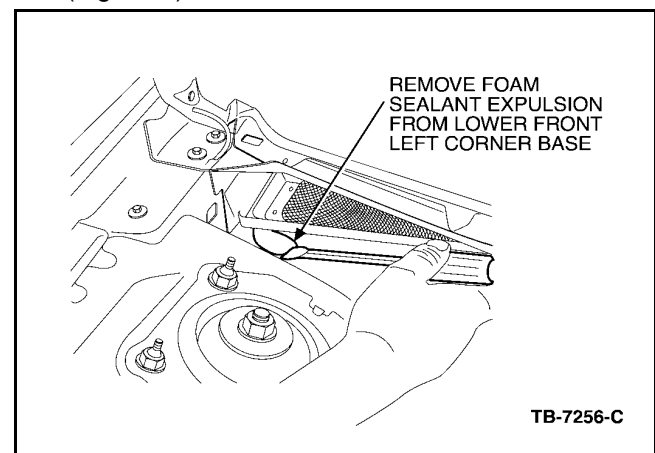


Figure 1 - Article 04-15-3

5. Locate the tape as shown (Figure 2). Remove the tape and apply Clear Silicone Rubber TA-32 to the small hole as shown (Figure 2).

**NOTE:** The information in Technical Service Bulletins is intended for use by trained, professional technicians with the knowledge, tools, and equipment to do the job properly and safely. It informs these technicians of conditions that may occur on some vehicles, or provides information that could assist in proper vehicle service. The procedures should not be performed by "do-it-yourselfers". Do not assume that a condition described affects your car or truck. Contact a Ford, Lincoln, or Mercury dealership to determine whether the Bulletin applies to your vehicle. Warranty Policy and Extended Service Plan documentation determine Warranty and/or Extended Service Plan coverage unless stated otherwise in the TSB article. The information in this Technical Service Bulletin (TSB) was current at the time of printing. Ford Motor Company reserves the right to supersede this information with updates. The most recent information is available through Ford Motor Company's on-line technical resources.

# TSB 04-15-3 (Continued)

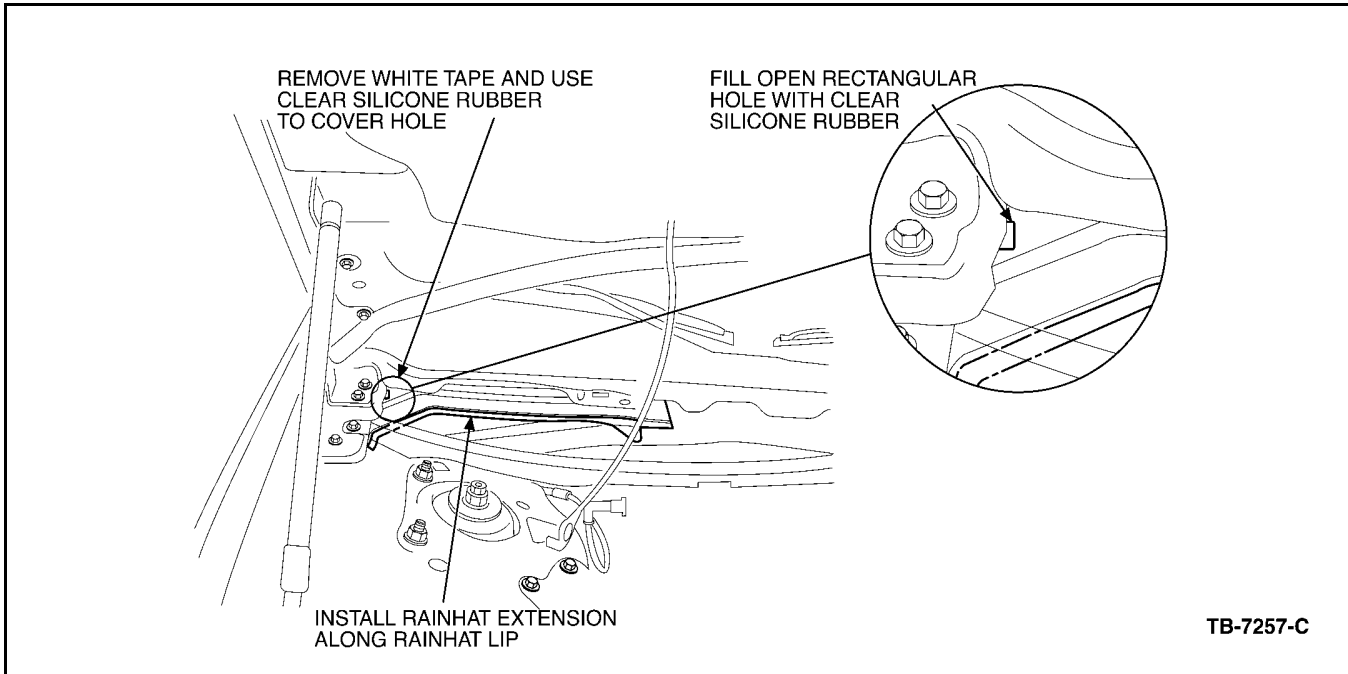


Figure 2 - Article 04-15-3

6. Install the Rain-Hat Extension Seal or Shed Lip Seal 4F1Z-54022A54-AA to the outboard edge of the rain-hat (see Figure 2 for installation). The 10 mm by 10 mm (0.5" by 0.5") cut area, located 25 mm (1") from the end of the seal, will face down and locate at the 90 degree bend of the rain-hat on the fender side (Figure 3).

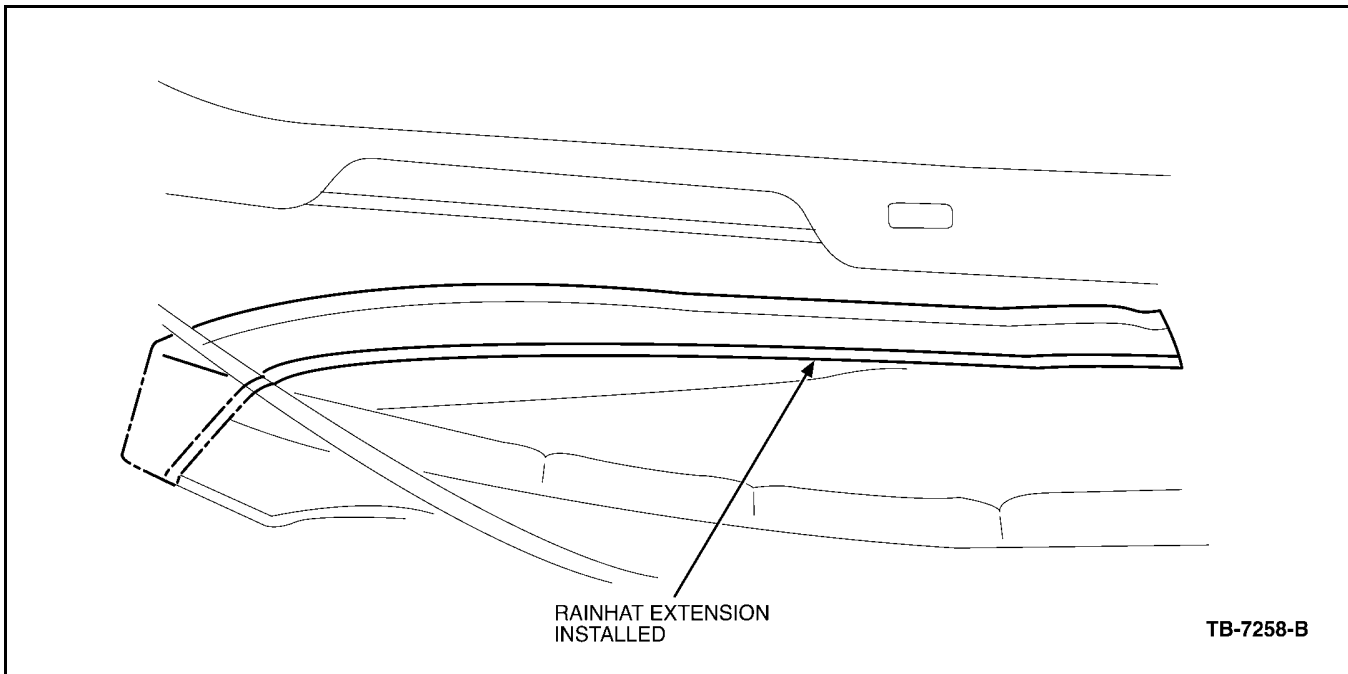


Figure 3 - Article 04-15-3

## TSB 04-15-3 (Continued)

7. Prior to installation of the cowl vent screen, verify that the cabin filter cover is properly snapped in place and the clip is located on the inboard side, (toward the center of the bulkhead), the cover will feel loose if not properly snapped in place. Reinstall the cowl vent screen per Section 412-01 of the Workshop Manual.

PART NUMBER	PART NAME
1F1Z-19805-AA	Blower Motor
F6DZ-19A706-AA	Resistor
4F1Z-54022A54-AA	Rain-Hat Seal
4F1Z-54018A16-BAA	Cowl Panel
TA-32	Clear Silicone Rubber

**WARRANTY STATUS:** Eligible Under Provisions Of  
New Vehicle Limited  
Warranty Coverage

OPERATION	DESCRIPTION	TIME
041503A	Install Rain Hat Extension Seal (Includes Time To Remove, Inspect, And Reinstall Or Replace If Necessary The Blower Motor, Blower Resistor, Or Cowl Panel)	0.7 Hr.

**DEALER CODING**

BASIC PART NO.  
54018A16

CONDITION  
CODE  
D8