

SECTION 412-02: Heating and Ventilation
REMOVAL AND INSTALLATION

2002 Taurus/Sable Workshop Manual
Procedure revision date: 06/20/2001

Heater Core

Material

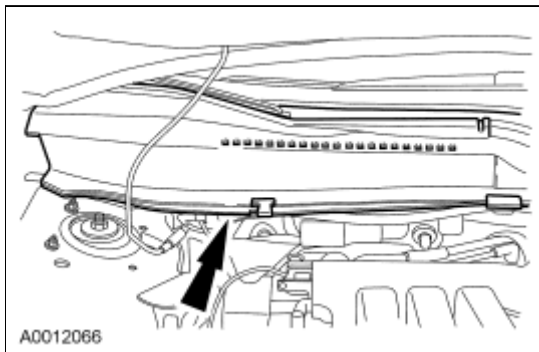
Item	Specification
MERPOL® N/A	ESE-M99B144-B

Removal and Installation

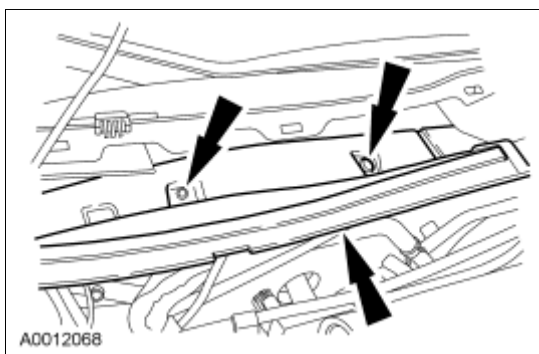
All Vehicles

NOTE: If a heater core leak is suspected, the heater core must be pressure leak tested before it is removed from the vehicle. For additional information, refer to [Section 412-00](#).

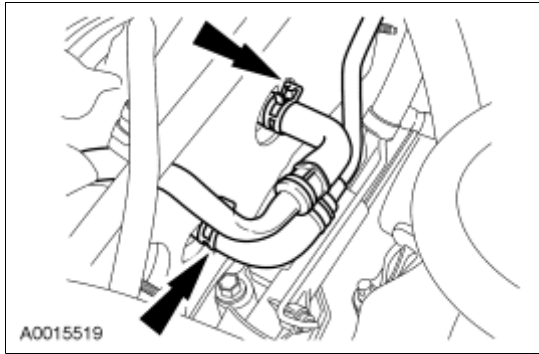
1. Remove the instrument panel (04320). For additional information, refer to [Section 501-12](#).
2. Remove the right-side cowl vent screen (018A16).



3. Remove the screws and the water shield (02254).

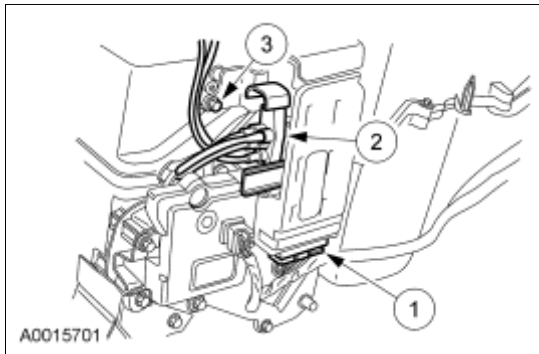


4. Using suitable hose pinching pliers, clamp the heater hoses. Disconnect the heater hoses.



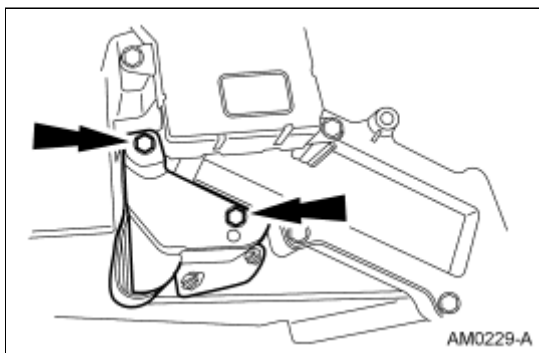
Vehicles with EATC

5. Remove the remote climate control (RCC) module (18C612).
 1. Disconnect the RCC module electrical connector.
 2. Remove the two nuts. Disconnect the vacuum harness.
 3. Remove the two screws.

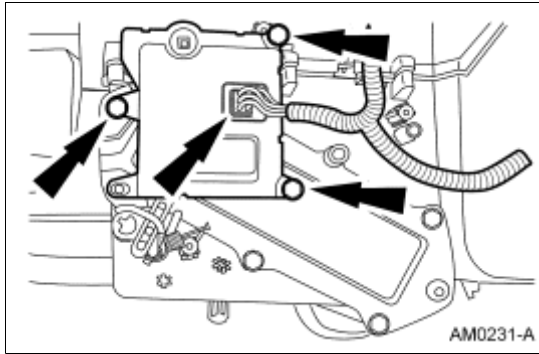


All Vehicles

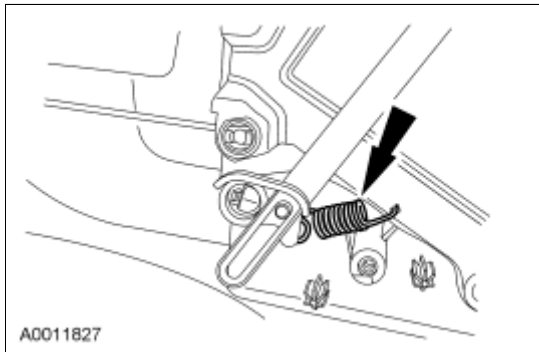
6. Remove the screws and shield.




7. Disconnect the temperature blend door actuator electrical connector. Remove the screws and the temperature blend door actuator (19E616).



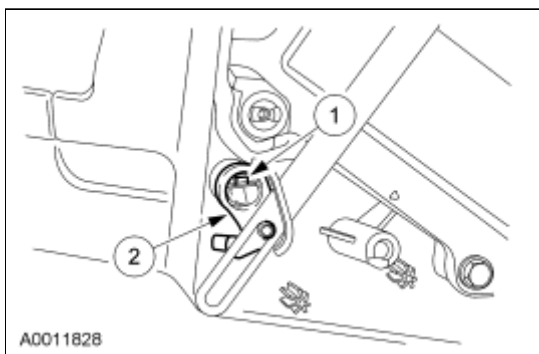
8. Remove the temperature blend door assist spring.



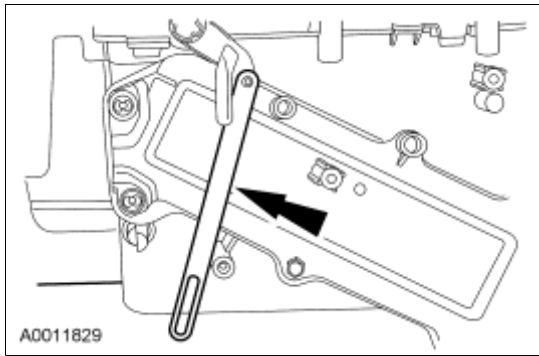
9.  **CAUTION:** Do not attempt to bend any part of the supplemental temperature blend door lever.

Remove the supplemental temperature blend lever shaft.

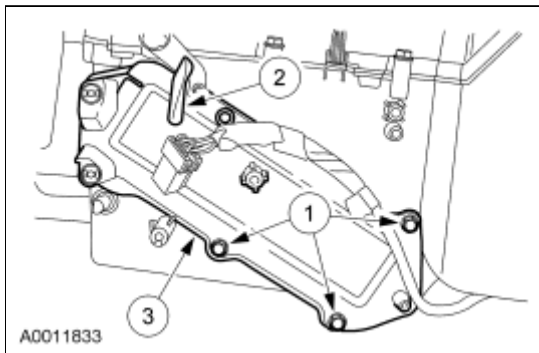
1. Depress the tab and remove the supplemental temperature blend lever shaft from the supplemental blend door (19C722).
2. Rotate and remove the supplemental blend door pivot shaft from the metal link.



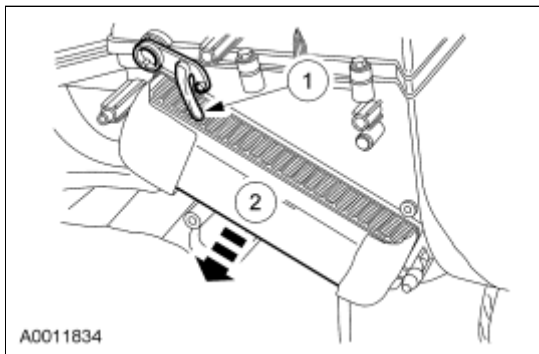
10. Remove the metal link from the temperature blend door pivot shaft.



11. Remove the heater core cover.
 1. Remove the screws.
 2. Rotate the temperature blend door pivot shaft.
 3. Remove the heater core cover and seal.



12. Remove the heater core (18476).
 1. Rotate the blend door pivot shaft.
 2. Remove the heater core.



13. To install, reverse the removal procedure.
 - Lubricant the coolant hoses with coolant hose lubricant or plain water only, if needed.
14. Refill cooling system. For additional information, refer to [Section 303-03](#).

