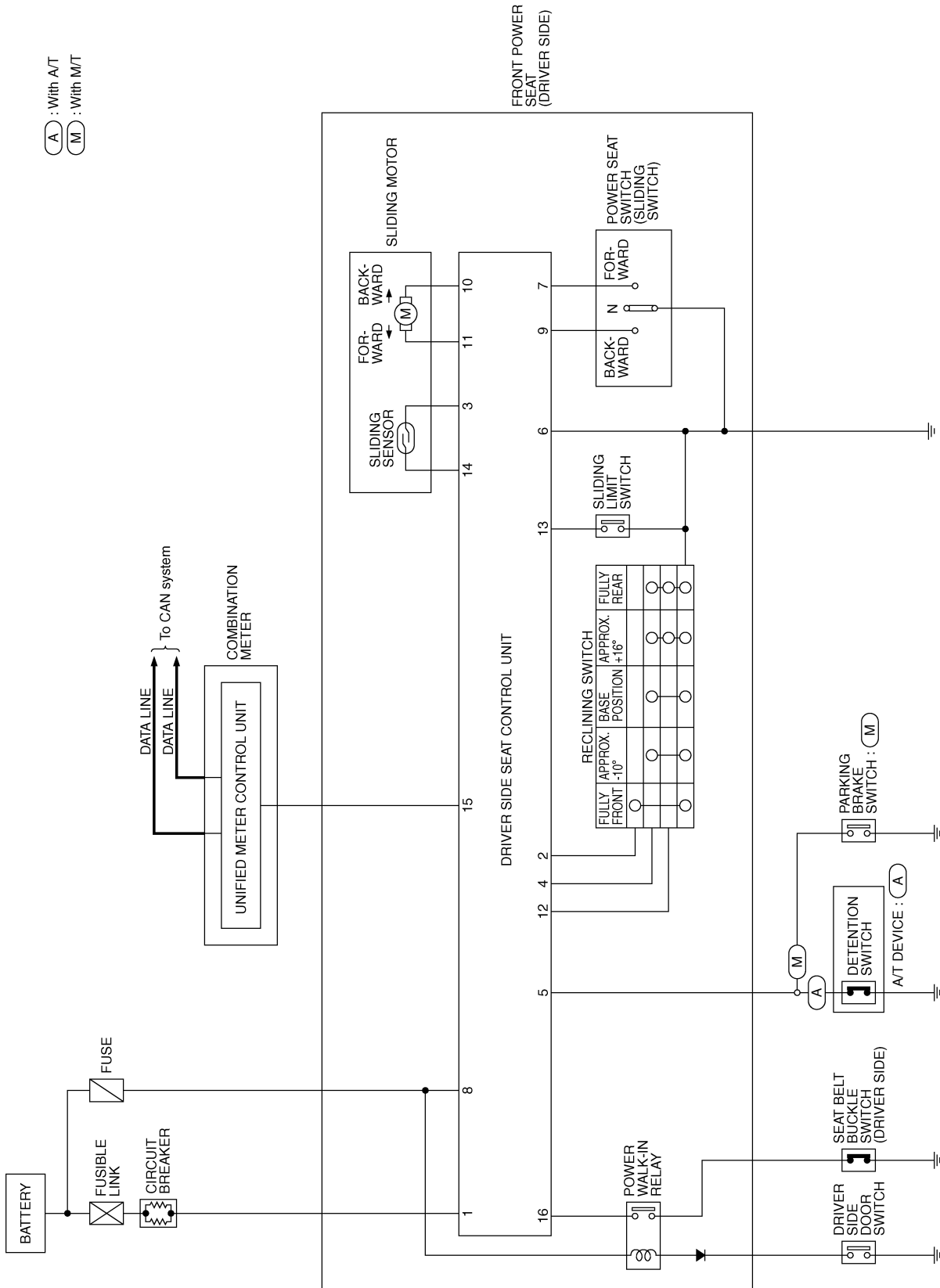


# POWER SEAT

## Schematic

AIS0028T

(A) : With A/T  
(M) : With M/T



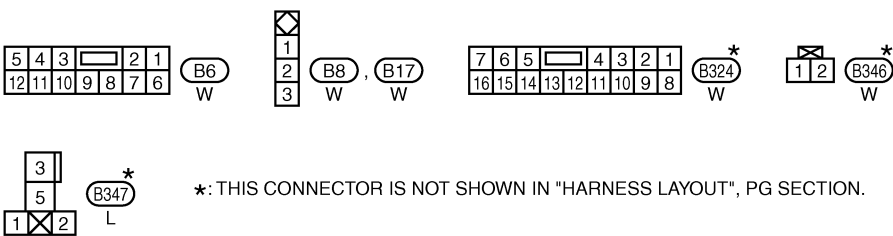
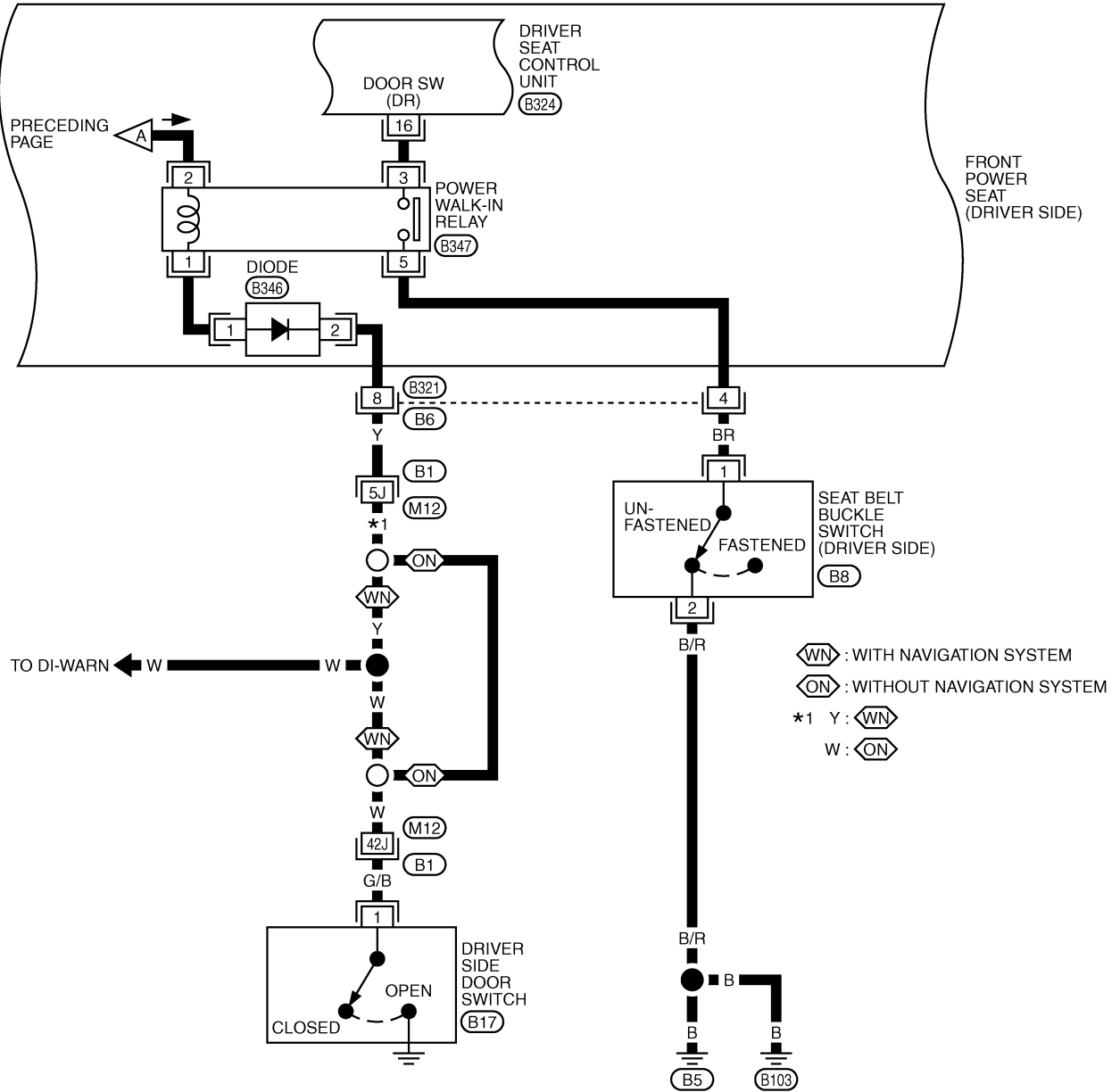
TIWT0337E

A  
B  
C  
D  
E  
F  
G  
H  
SE  
J  
K  
L  
M



# POWER SEAT

SE-SEAT-02



REFER TO THE FOLLOWING.

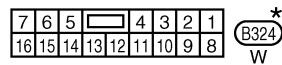
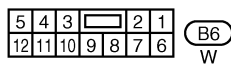
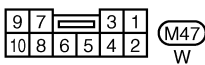
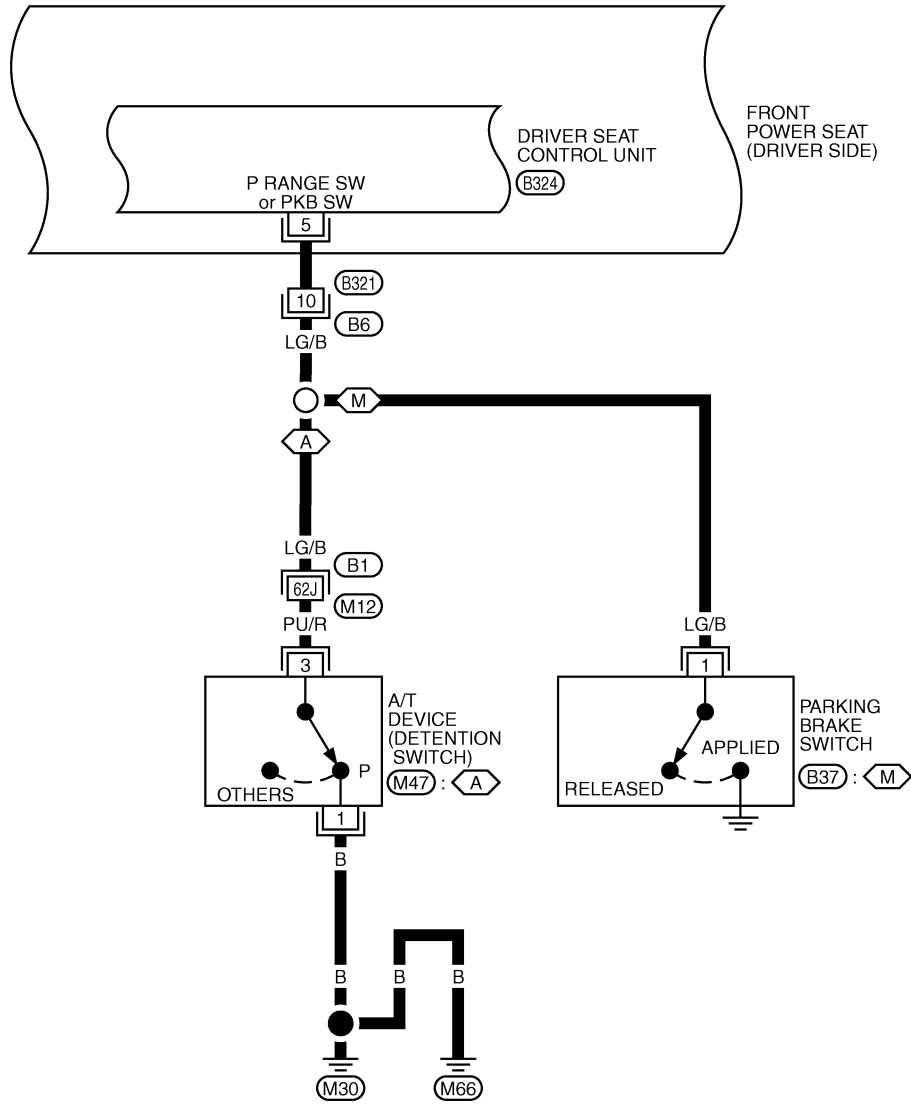
(B1) -SUPER MULTIPLE JUNCTION (SMJ)

TIWM0481E

# POWER SEAT

## SE-SEAT-03

A : WITH A/T  
M : WITH M/T



REFER TO THE FOLLOWING.  
B1 -SUPER MULTIPLE JUNCTION (SMJ)

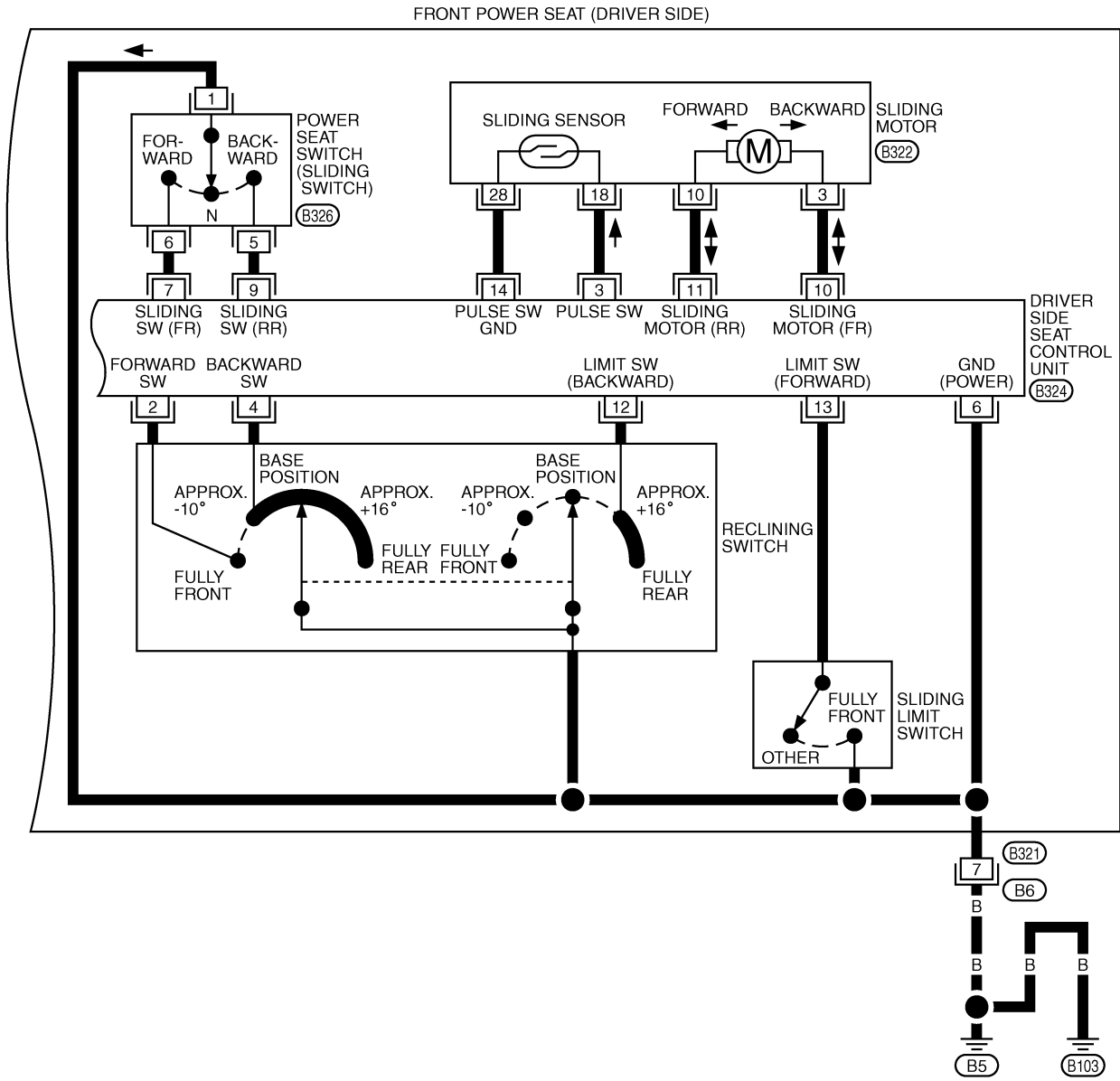
\*: THIS CONNECTOR IS NOT SHOWN IN "HARNESS LAYOUT", PG SECTION.

TIWM0482E

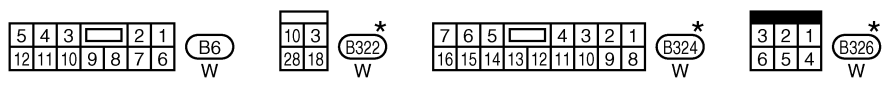
# POWER SEAT

SE-SEAT-04

A  
B  
C  
D  
E  
F  
G  
H  
I  
J  
K  
L  
M



SE



\*: THIS CONNECTOR IS NOT SHOWN IN "HARNESS LAYOUT", PG SECTION.

TIWM0483E