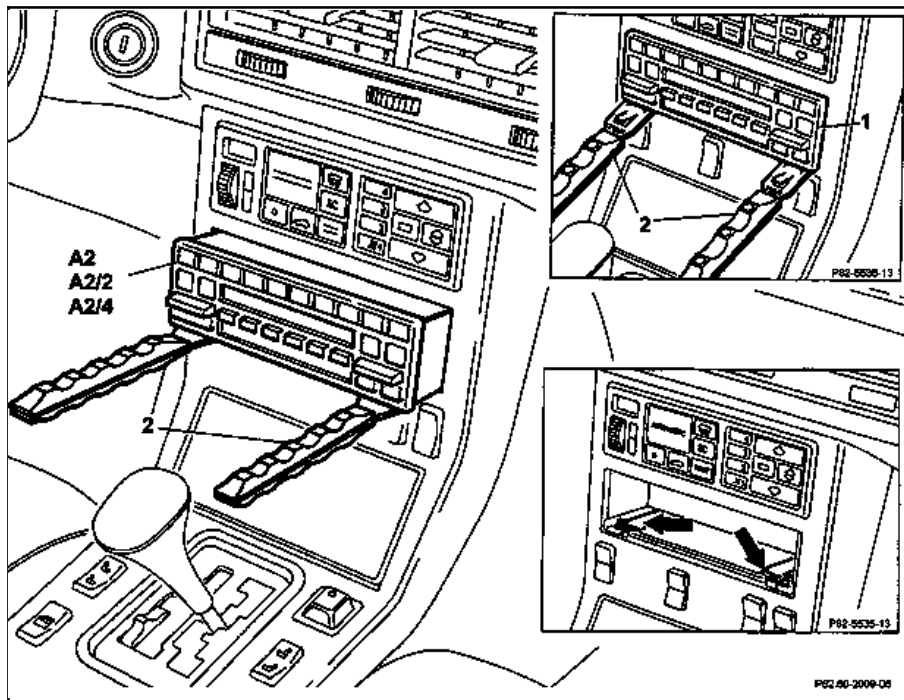


Model 129

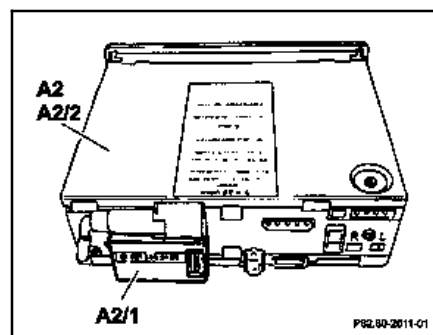
with single-block unit, two-component control module and CD drive with radio control module, 1st generation

- 1 Cover
 2 Removal plates
 A2 Radio
 A2/2 Radio control module
 A2/4 CD drive and radio control module



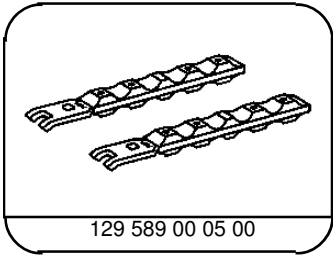
P82.60-2009-06

- A2 Radio
 A2/1 Radio control module
 A2/2 Line-out unit



P82.60-2011-01

⊗ ⊗	Removal, installation		
1	Disconnect ground cable of battery		AR54.10-P-0003A
2	To check, press radio into console at outer left and right cover (1) toward front of vehicle	i The retaining clips which clip into the radio at the bottom right and left (arrow) can only be unclipped when the radio is completely inserted.	
3	Pull out radio (A1), radio control module (A2/4) or CD drive and radio control module (A2/2)	i For this purpose slide removal plates (2) in up to stop at a distance of approx. 5 mm from outer edge of cover (1) at an angle of approx. 45° between cover (1) and wooden cover, lift slightly and pull out. ⚠	*129589000500
4	Disconnect electrical connectors		
5.1	Convert line-out unit (sound system) (A2/1)	Only with code 810 and when replacing Becker Mexico Diversity radios up to approx. 08/90 and Becker Mexico Compact-Disc up to approx. 01/92.	
6	Install in the reverse order		
7	Encode radio		AR82.60-P-7502-01C



129 589 00 05 00

Removal tool