

MODEL 129, 170, 202, 208, 210

with CODE (750a) MB radio Audio 30 RDS

with CODE (753) MB radio Audio 30 RDS

with CODE (756a) MB radio Audio 10 RDS with CD compartment

MODEL 461

with CODE (EF1) Audio 10 RDS

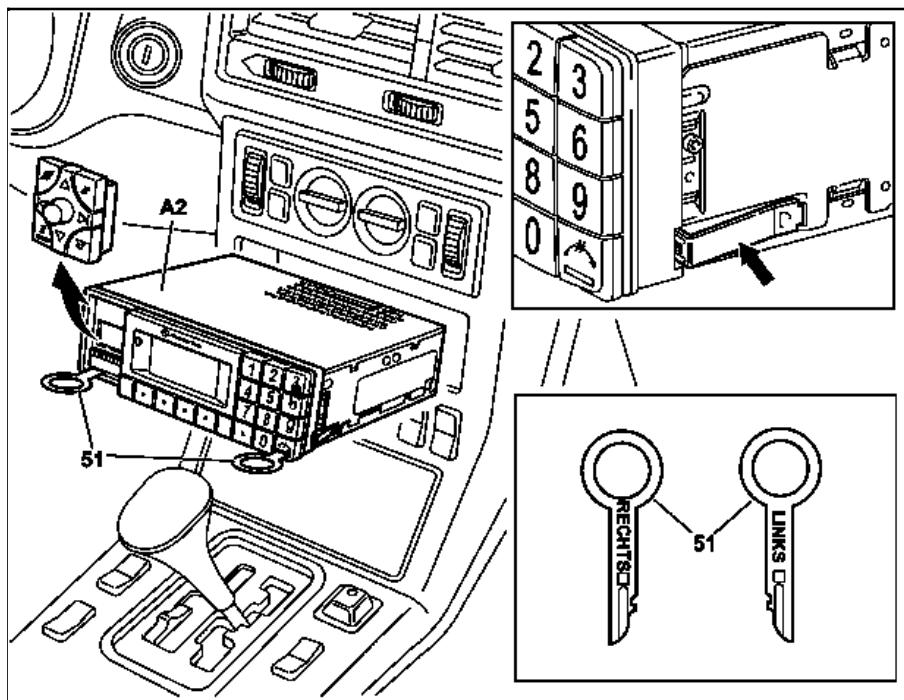
with CODE (EF2) Audio 10 RDS with CD slot

with CODE (EF3) Audio 30 RDS

Illustrated on model 202

51 Removal plates

A2 Radio



P82.70-2052-06

	Removal, installation		
1	Disconnect ground lead from battery	ⓘ On model 210 insulate ground lead terminal to protect against unintentional contact between disconnected ground lead and ground point W10	AR54.10-P-0003A
2	Pull out radio (A2)	ⓘ For this purpose insert removal plates (51): ↓ After removing press retaining springs (arrow) back on radio and pull out removal plates (51)	
3.1 3.2	Disconnect electrical connectors Disconnect fiber optic cable D2B	ⓘ Do not kink or stretch fiber optic cable D2B	
4	Install in opposite order		
5	Code radio		AR82.60-P-7502-01M