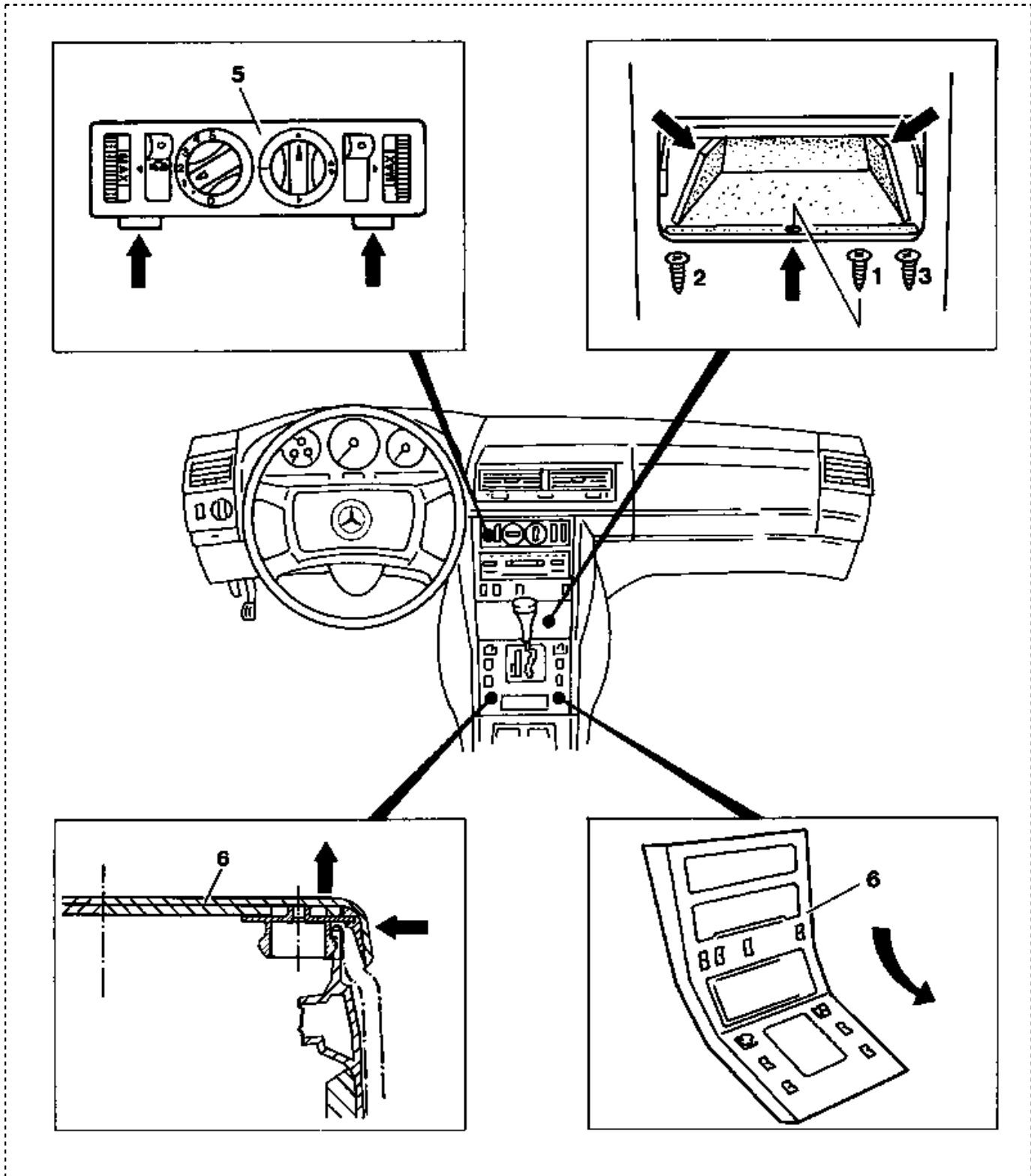


68-230 Removal and installation of gear shift lever cover

Radio removed 82-505

Operation no. of operation texts and work units
or standard texts and flat rates:



Removal

Ignition switch off.
Catch for heater control unit (arrows) press downward while pulling out heater control unit (5).

- Screw (1) in center of oddments tray unscrew.
- Oddments tray..... bend inwards at upper corners (arrows),
press forward and remove at corners.
Observe note!
- Screws (2 and 3) below oddments tray unscrew.
- Cover (6)..... press to left out of catch at rear and lift at
right.
- Cover (6)..... press to right out of catch at rear and lift at
left.
- Cover (6)..... lift at rear and pull downward out of upper
catches.
- Plug connections on switches pull off.
- Cover (6)..... remove.

Reinstall in opposite order.
Perform general function test.

Note

Do not use tools with sharp edges to remove the oddments tray to prevent damaging the wood cover (6). If necessary the oddments tray can be lifted with a small installation hook at the center screw hole (arrow).