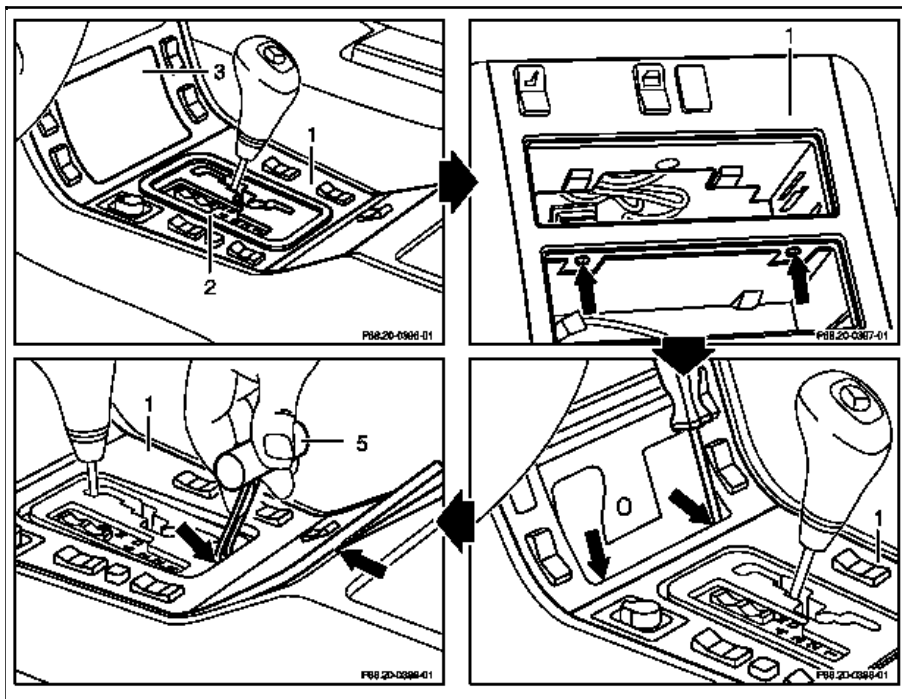


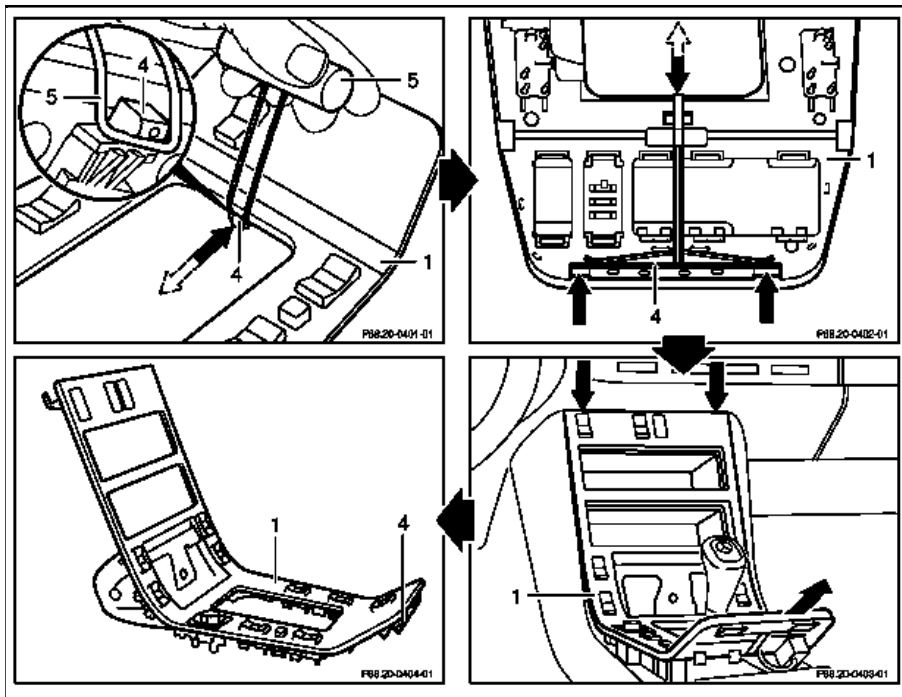
MODEL 140 as of 21.8.95

- 1 Cover
- 2 Surround
- 3 Trim panel
- 5 Removal tool



P68.20-0400-06

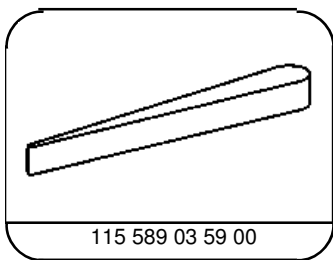
- 1 Cover
- 4 Catch at rear
- 5 Removal tool



P68.20-0405-06

☒ ☒	Removing, installing		
		<p>⚠ Risk of damage! Do not use sharp-edged tools for removing!</p> <p>i The single-part cover (1) is provided with a moving catch (4) at the rear lock which has to be operated (pulled) with the removal tool (5) for removing!</p>	
1	Remove radio		ra820a1407502x
2	Remove pushbutton control module N22		
		Model 140 up to 31.08.95 Model 140 as of 01.09.95	AR83.40-P-6350D AR83.40-P-6350C
3	Remove surround (2)	☑	*115589035900

4	Remove trim panel (3) by taking out ashtray insert and slackening clamping screw	i Use right-angle screwdriver	
5	Remove screws (arrows) in radio slot		
6	Remove screws (arrows) in ashtray slot vertically downward		
7	Use removal tool (5) to open or operate catch (4); raise cover (1) at rear at the same time with long wedge (arrow) WF Removal tool for catch of single-part cover at center console	S	*115589035900 WF58.50-P-6820-01A
8	Raise cover (1) at rear, guide over selector lever dome and guide out at the top front with the two hooks at the center console	i When installing, insert cover (1) with both hooks at top front and press on catch (4) at rear until it is heard to engage in center console	
9	Unclip switch strip at top and unplug connectors at the cover (1)		
10	Take out cover (1)		
11	Install in the reverse order		
12	Carry out operational check		



Long wedge