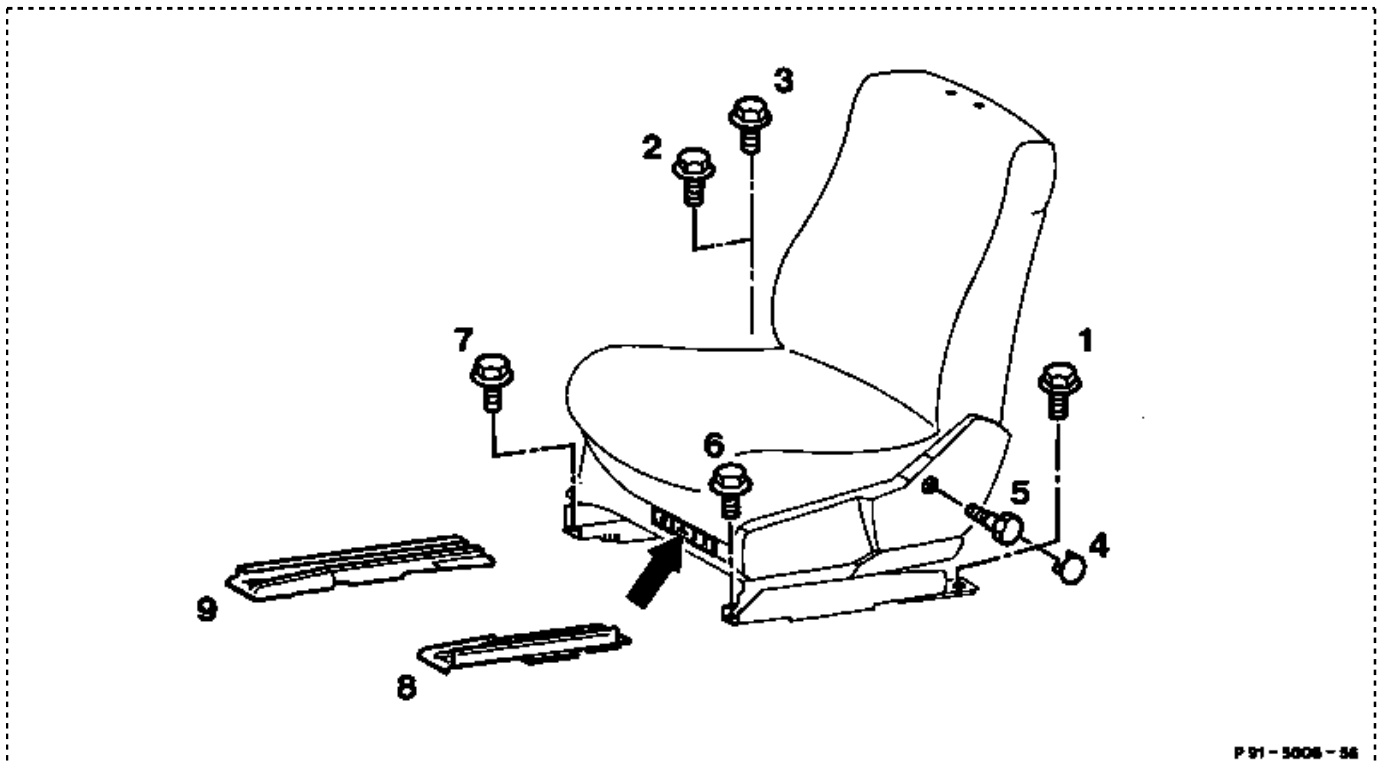


## 91-100 Removal and installation of driver's seat

Preliminary work:

Head restraint removed



P 91 - 5006 - 36

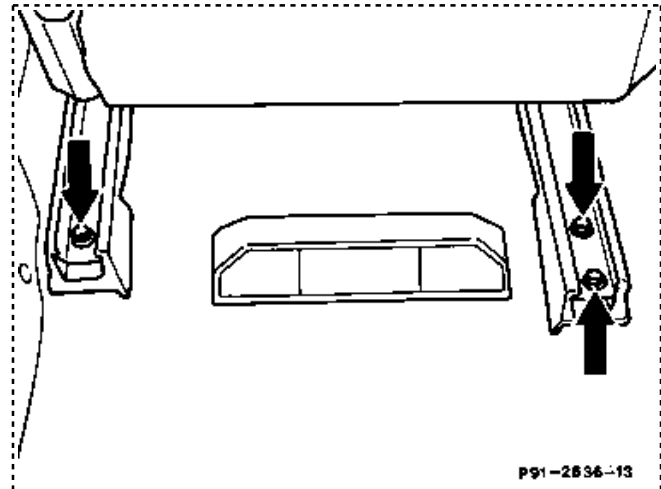
Driver's seat	move forward with fore and aft adjustment.
Screws (1, 2 and 3)	screw out on seat guide rails at rear (25 Nm).
Control cable (adjustment for upper belt guide)	unhook at rear of seat frame by removing cap to the rear and pivoting hook-in tab 90° and pulling off.
Cover (4)	remove.
Screw (5)	screw out of belt end fitting. WAF 17 mm (35 Nm).
Driver's seat	move back with fore and aft adjustment.
Screws (6 and 7)	screw out (25 Nm).
Vacuum line and electrical connections	disconnect at front of seat frame.
Cable strap	open (2 each).
Control cable sleeve	unclip at front of seat frame and remove.
Driver's seat	remove and lay down with backrest on suitable surface.
Covers (8 and 9)	remove on seat rails; set driver's seat down on seat frame only after removing these covers, otherwise covers 8 and 9 may be damaged.

Reinstall in opposite order.

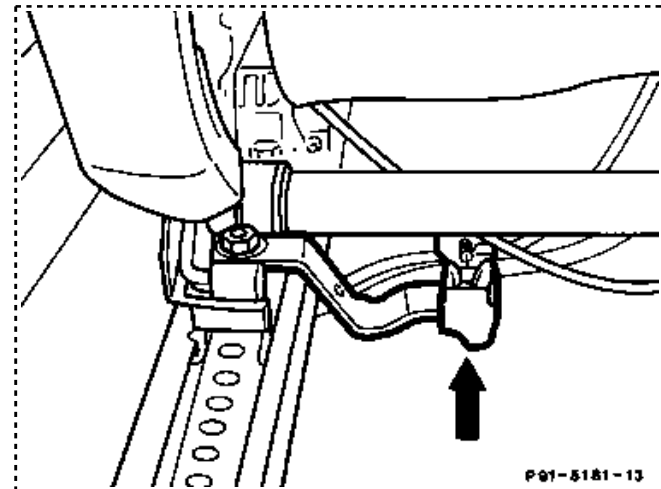
## Installation, removal

1 Move seat forward with fore and aft adjustment.

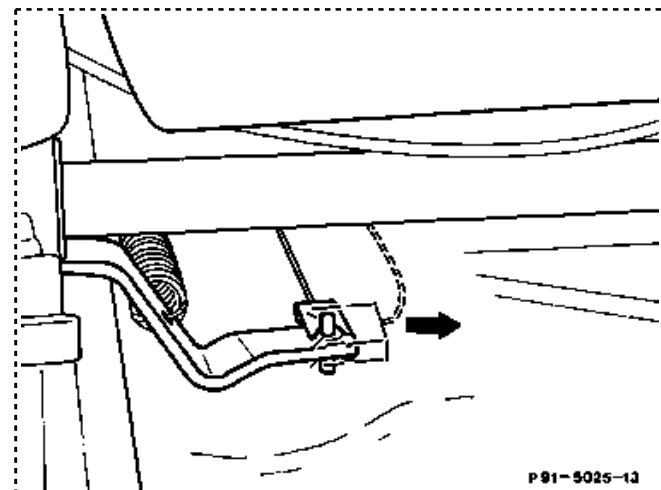
2 Screw out screws (3 each, arrows) at rear of seat rails (25 Nm).



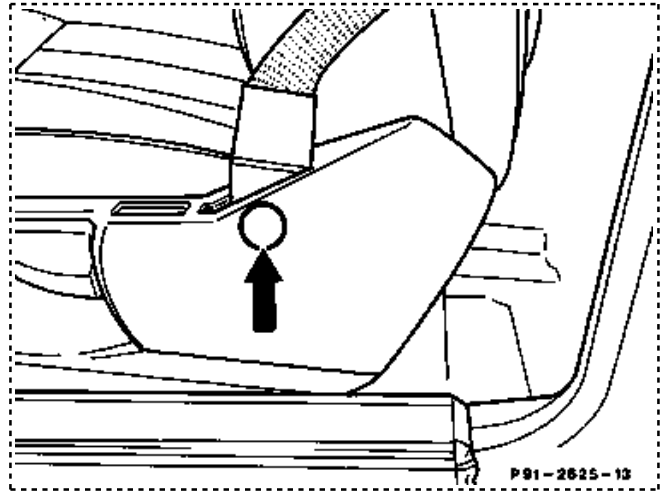
3 Remove cap (arrow) at rear of seat frame.



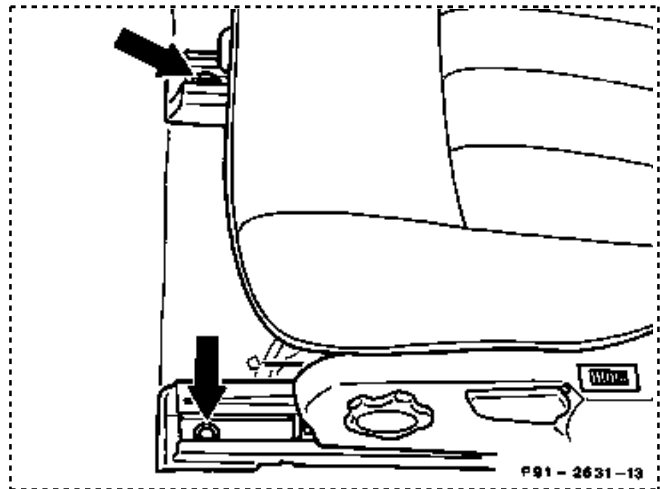
4 Unhook control cable at rear of seat frame by pivoting hook-in tab 90° and pulling off of attachment bolt.



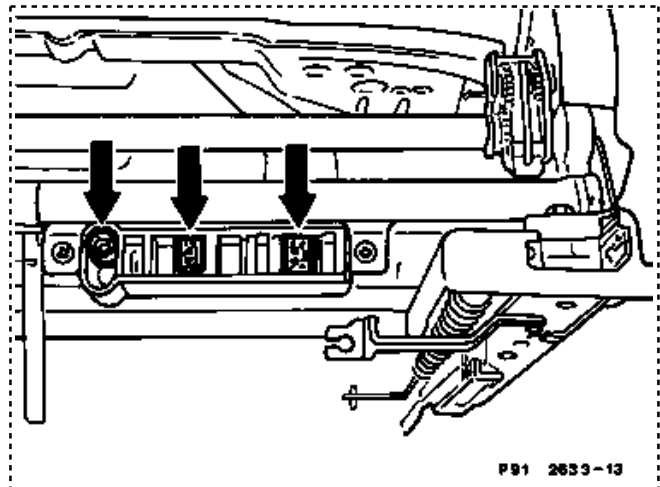
- 5 Press off cover (arrow) and screw out bolt below for belt end fitting, WAF 17 mm (35 Nm). Remove belt end fitting.
- 6 Move seat back with fore and aft adjustment.



- 7 Screw out screws at front of seat rails (arrows) (25 Nm).

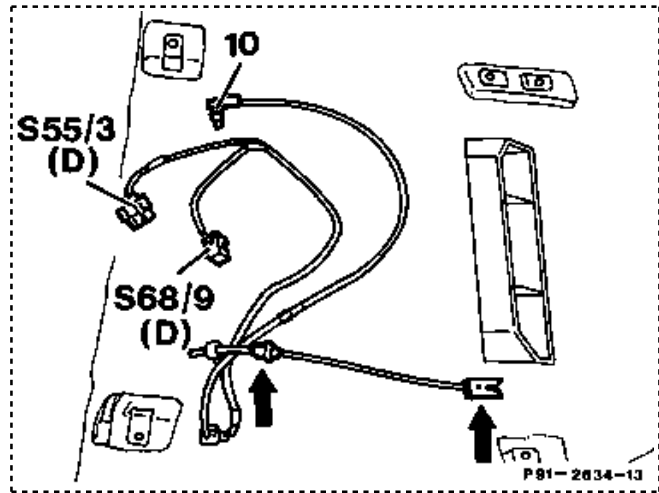


- 8 Disconnect vacuum line and electrical connections at front connection strip.
- 9 Open cable strap (2 each).



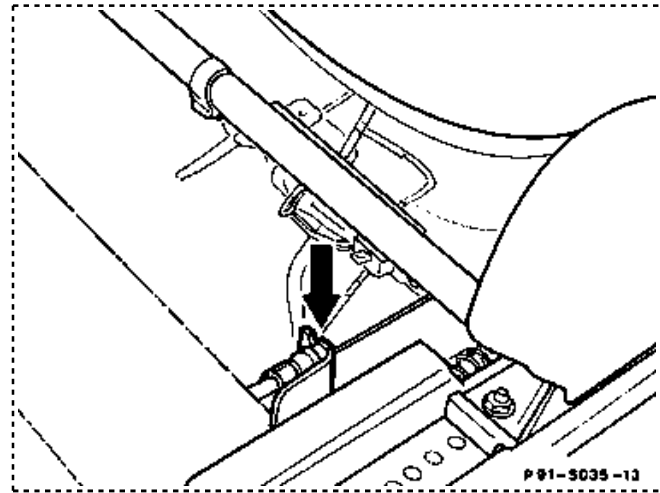
control  
seat

Connection lines and  
cable below driver's



10 Unclip control cable sleeve at front of  
seat frame and remove.

11 Remove driver's seat and lay down with  
backrest on suitable surface.



12 Remove cover on seat rails by turning  
cover inward away from seat rail and  
remove. Set driver's seat down on seat frame  
only after removing cover.

13 Reinstall in opposite order.

