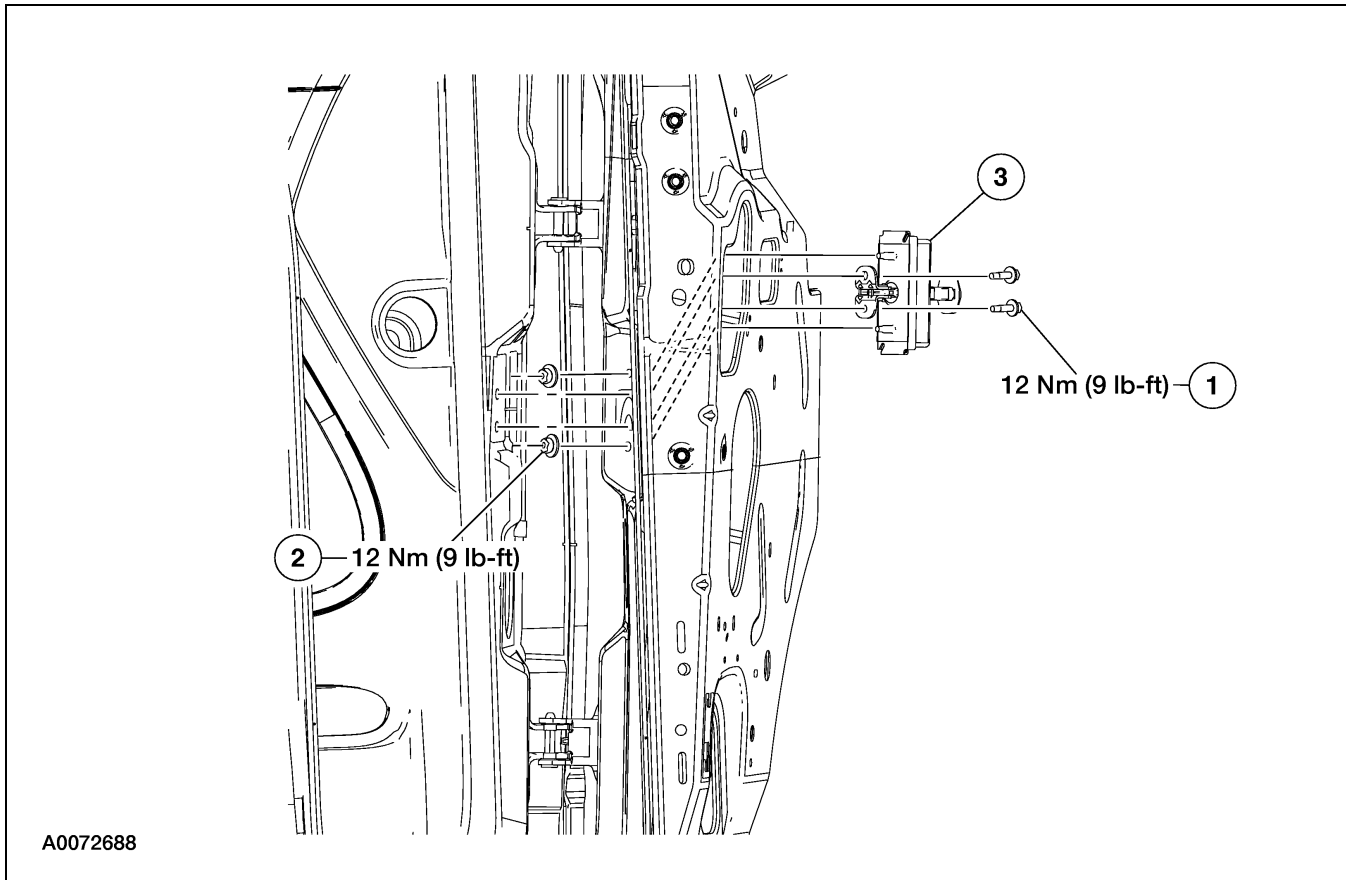


REMOVAL AND INSTALLATION

Door Check Arm — Front

1. Remove the parts in the order indicated in the following illustration and table.



Item	Part Number	Description
1	N620480-S301	Nuts (2 req'd)
2	W705321-S900	Screws (2 req'd)
3	23552	Door check arm assembly

2. To install, reverse the removal procedure.