

## SECTION 310-01: Fuel Tank and Lines 2002 Explorer Sport/Sport Trac Workshop Manual


### REMOVAL AND INSTALLATION

[Procedure revision date: 01/18/2002](#)

## Fuel Tank — Sport Trac Built After 03/2002

### Removal and Installation

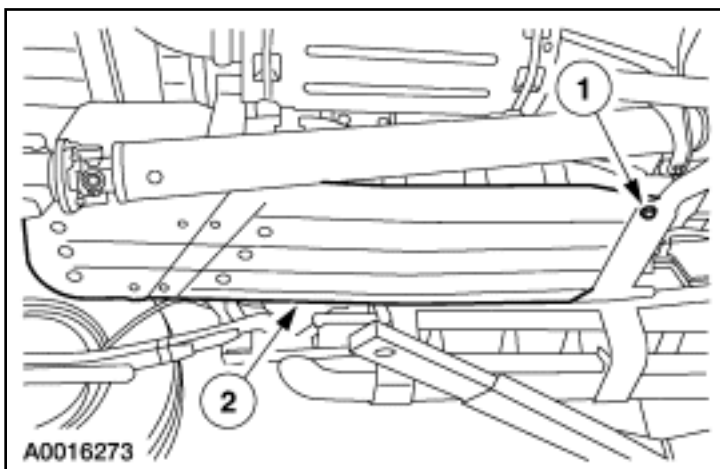
#### All vehicles

 **WARNING:** Do not smoke, carry lighted tobacco or open flame of any type when working on or near any fuel-related component. Highly flammable mixtures are always present and may be ignited, resulting in possible injury.

1. Disconnect the battery ground cable. For additional information, refer to [Section 414-01](#).
2. Relieve the fuel system pressure. For additional information, refer to [Section 310-00](#).
3. Raise and support the vehicle. For additional information, refer to [Section 100-02](#).
4. Drain the fuel tank. For additional information, refer to [Section 310-00](#).

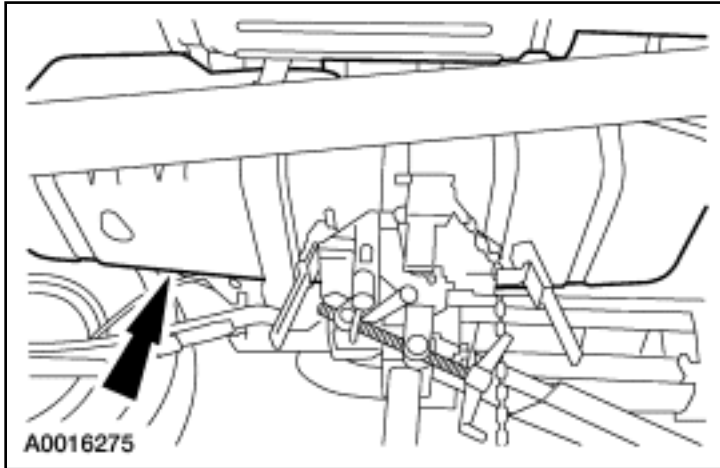
#### 4WD vehicles

5. Remove the fuel tank skid plate.
  1. Remove the four bolts.
  2. Remove the fuel tank skid plate.

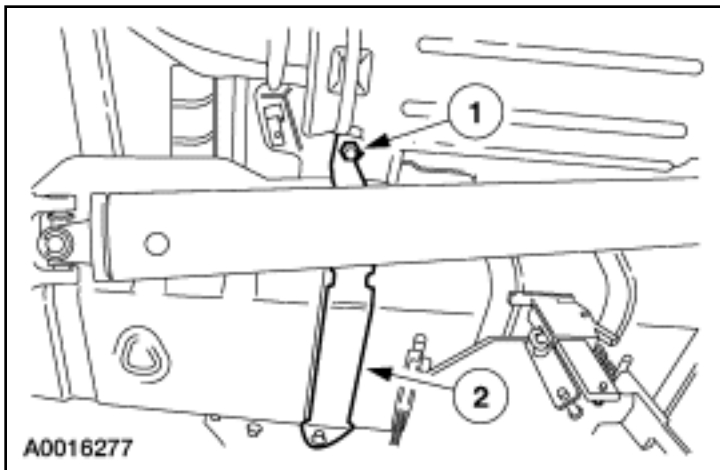


## All vehicles

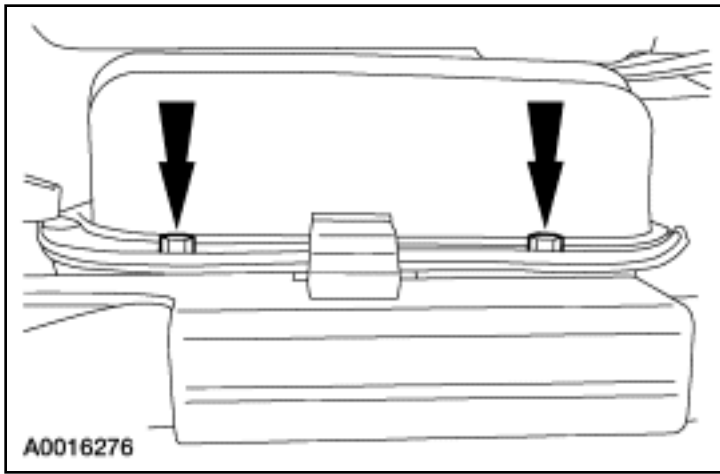
6. Use a suitable jack to support the fuel tank.



7. Position the fuel tank support strap aside.
  1. Remove the bolt.
  2. Position the fuel tank support strap aside.

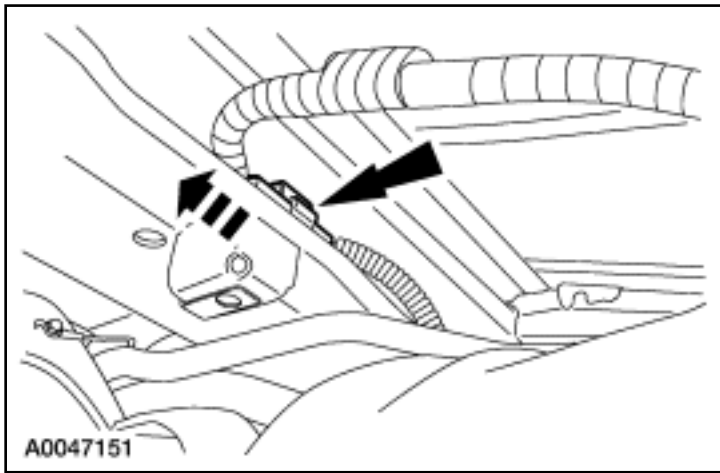


8. Remove the front bolts and push the fuel tank back until the lip clears the support bracket.

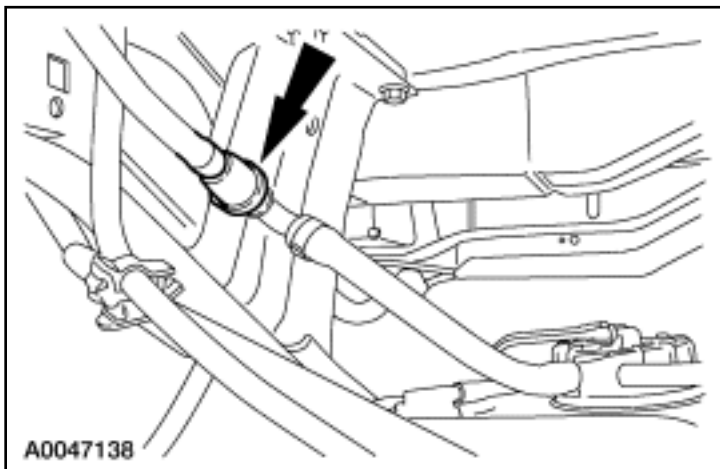


9. Partially lower the fuel tank.

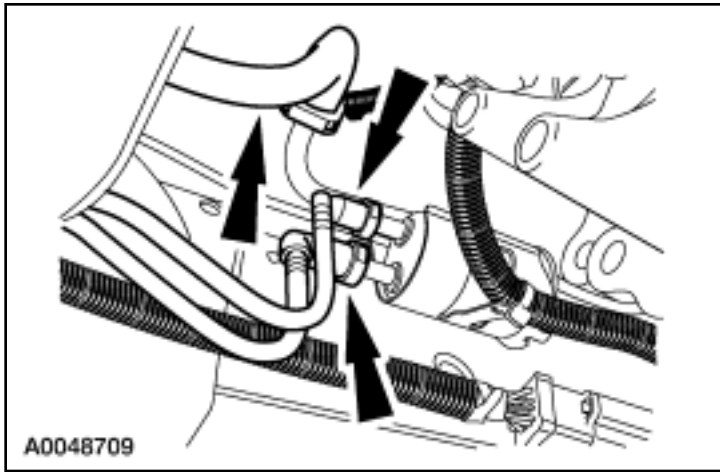
10. Disconnect the fuel pump electrical connector.



11. Disconnect the evaporative vapor tube connector. For additional information, refer to [Section 310-00](#).



12. Disconnect the fuel line connector. For additional information, refer to [Section 310-00](#).

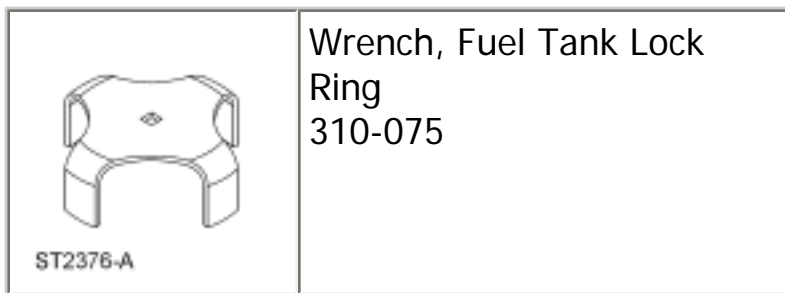


13. Lower and remove the fuel tank.


14. To install, reverse the removal procedure.

## Fuel Pump — Vehicles Built After 03/2002

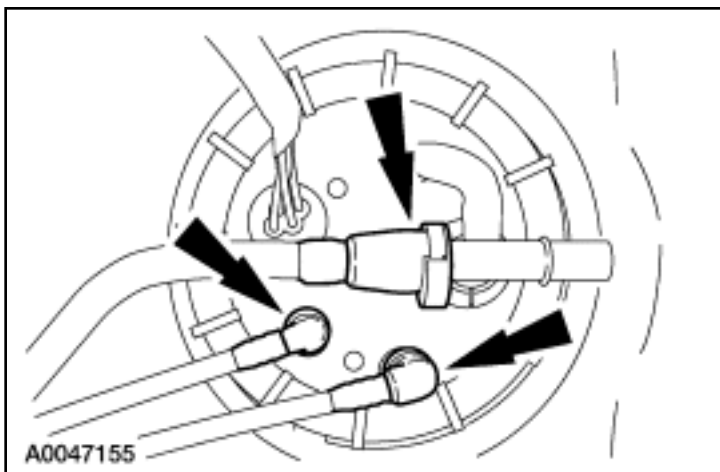
### Special Tool(s)




## Removal and Installation

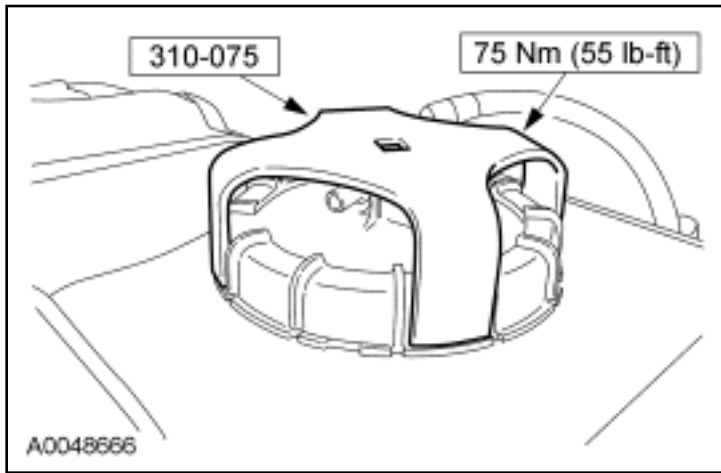
 **WARNING:** Do not smoke, carry lighted tobacco or open flame of any type when working on or near any fuel-related component. Highly flammable mixtures are always present and may be ignited, resulting in possible personal injury.

1. Remove the fuel tank. For additional information, refer to [Fuel Tank — Explorer Sport Built After 03/2002](#) or [Fuel Tank — Sport Trac Built After 03/2002](#) in this section.
2. Remove the fuel hoses from the fuel pump. For additional information, refer to [Section 310-00](#).



3. Clean the area around the fuel pump locking ring.
4.  **CAUTION:** The fuel pump assembly must be handled carefully to avoid damage to the float arm and the filter.

Using the special tool, remove the fuel pump locking ring and remove the fuel pump assembly.



5. To install, reverse the removal procedure.