

## SECTION 501-14: Handles, Locks, Latches and Entry Systems

## REMOVAL AND INSTALLATION

Procedure revision date: 10/13/2004

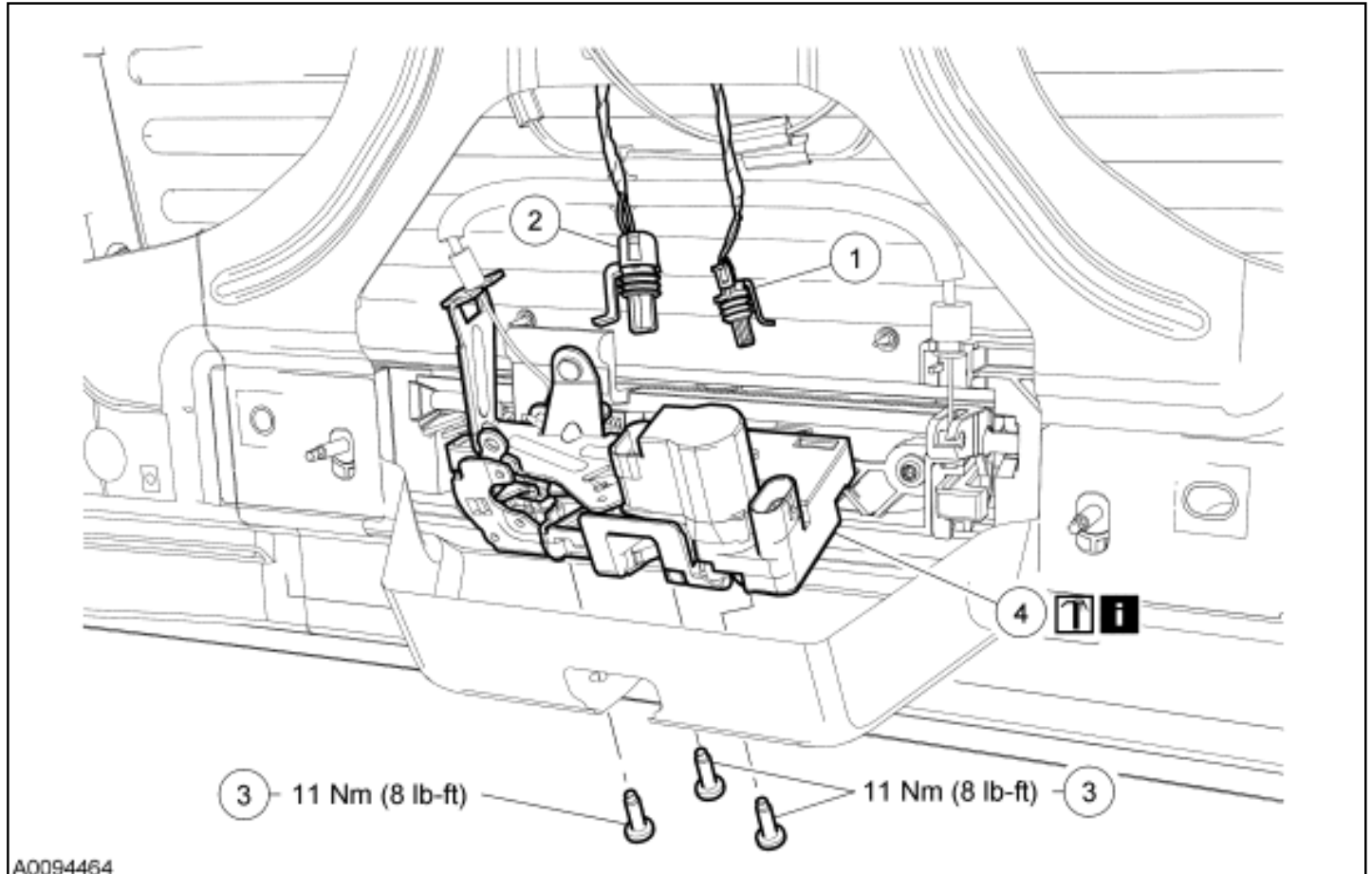
## Liftgate Release Handle

[Printable View \(159 KB\)](#)

## Material

Item	Specification
Multi-Purpose Grease Spray XL-5	ESB-M1C93-B

1. To remove the exterior liftgate release handle, remove the license plate housing. For additional information, refer to [Section 501-00](#).
2. To remove the liftgate latch, remove the liftgate trim panel. For additional information, refer to [Section 501-01](#).
3. Remove the parts in the order indicated in the following illustration and table.

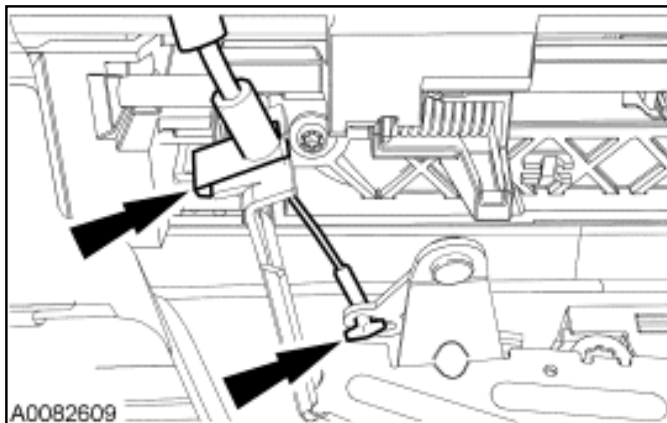


Item	Part Number	Description
1	—	Electrical connector (part of 14A464)
2	—	Electrical connector (part of 14A464)
3	W505583	Bolt (3 required) Installation Note
4	1743102	Liftgate latch Removal Note

- To install, reverse the removal procedure.

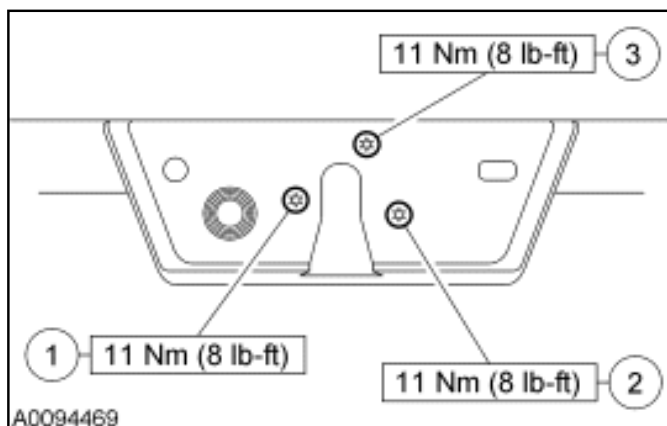
#### Item 4: Liftgate Latch Removal Note

- Disconnect the liftgate actuating cable from the latch.



#### Item 3: Liftgate Latch Installation Note

- Hand-tighten the bolts in the sequence shown.
- Tighten the bolts in the sequence shown.



## SECTION 501-01: Body System — Interior REMOVAL AND INSTALLATION

2004 Freestar/Monterey Workshop Manual

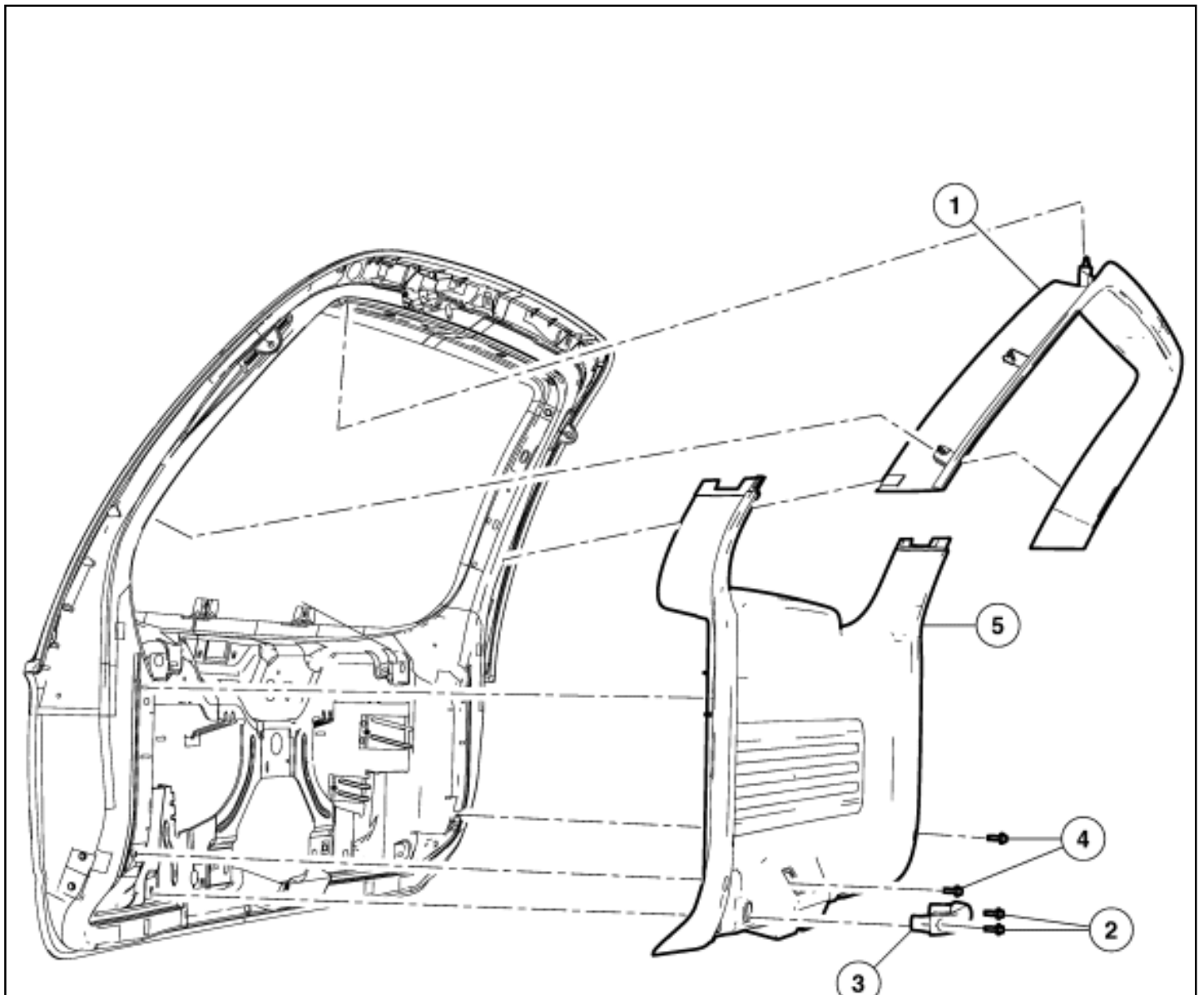
[Procedure revision date: 07/31/2003](#)

### Liftgate Trim Panel [Printable View \(154 KB\)](#)

1. Remove the parts in the order indicated in the following illustration and table.

To remove individual parts,  
only carry out the listed  
steps:

Part	Steps
Liftgate trim panel	1-5
Liftgate assist handle	2, 3



3

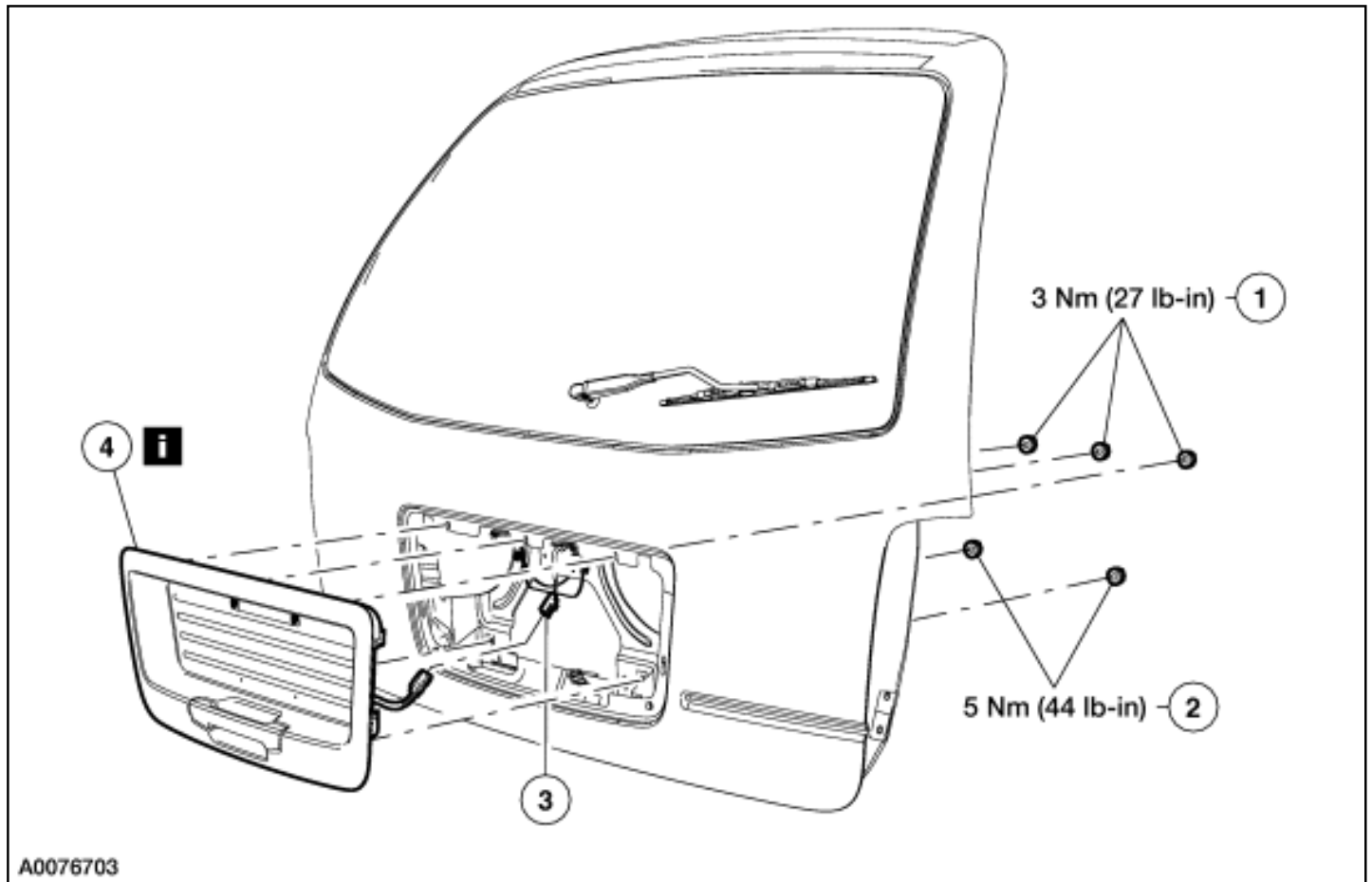
A0069966

Item	Part Number	Description
1		Liftgate window trim moulding
2	—	Liftgate assist handle screws (part of 434A14)
3	434A14	Liftgate assist handle
4	56911-A424	Liftgate trim panel screw
5	42906	Liftgate trim panel

2. To install, reverse the removal procedure.

**License Plate Housing**  [Printable View \(145 KB\)](#)

1. Remove the liftgate trim panel. For additional information refer to [Section 501-01](#).
2. Remove the parts in the order indicated in the following illustration and table.



Item	Part Number	Description
1	—	License plate housing nuts (3 required)
2	—	License plate housing nuts (2 required)
3	—	Electrical connector (2 required)
4	17B389	License plate housing Removal Note

3. To install, reverse the removal procedure.

**Item 4: License Plate Housing Removal Note**

1. Disconnect the liftgate handle actuating cable and position aside.

