



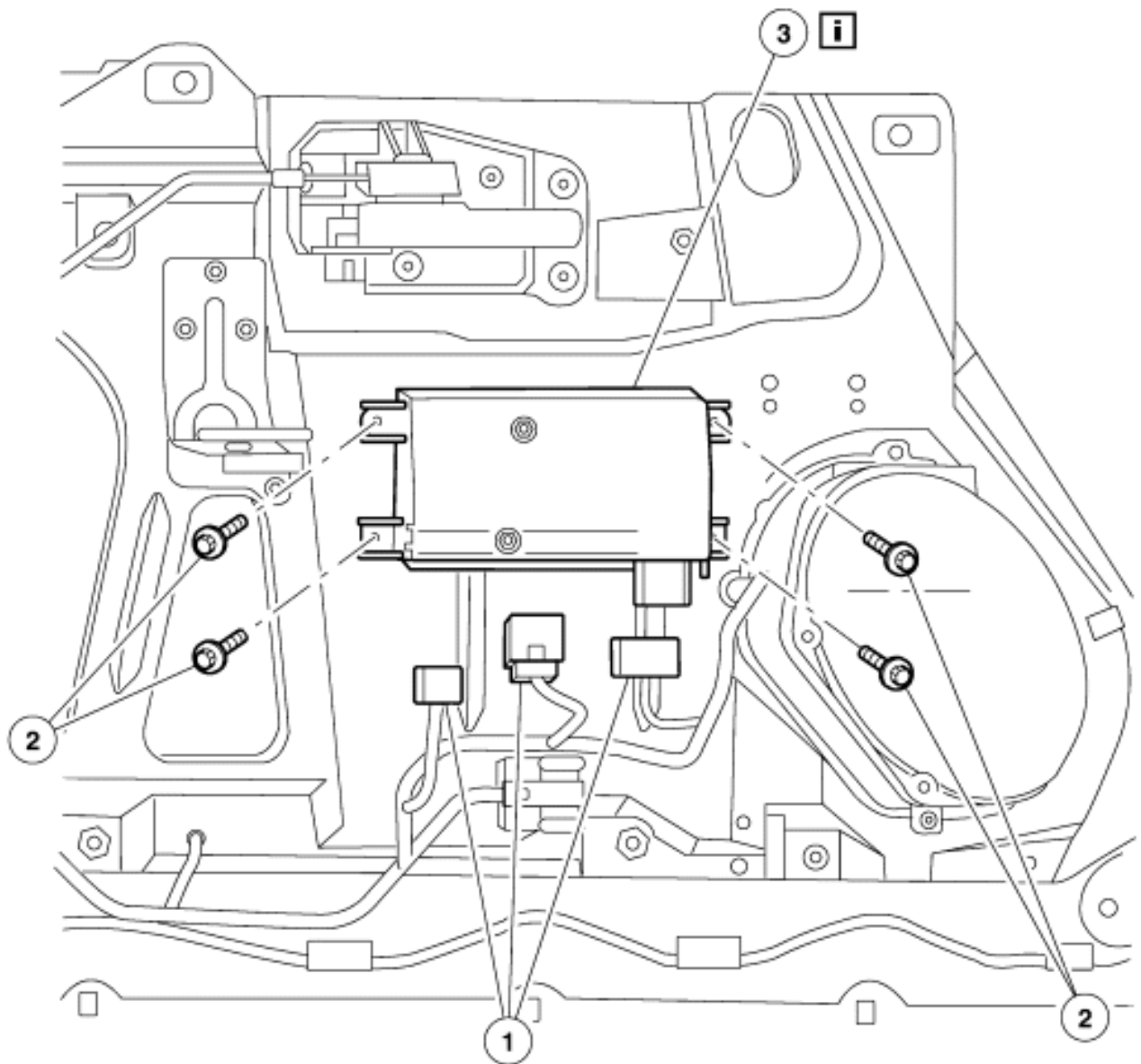
Driver Door Module (DDM)  [Printable View \(97 KB\)](#)**Removal and Installation**

1.  **CAUTION:** Prior to the removal of the module, it is necessary to upload module configuration information to the appropriate diagnostic equipment. This information needs to be downloaded into the new module once installed. For additional information, refer to [Module Configuration](#) in this section.

 **CAUTION:** Electronic modules are sensitive to static electrical charges. If exposed to these charges, damage may result.

Disconnect the battery ground cable. For additional information, refer to [Section 414-00](#).

2. Remove the driver door trim panel. For additional information, refer to [Section 501-01](#).
3. Remove the components in the order indicated in the following illustration and table.



A0055667

Item	Part Number	Description
1	—	Wiring harness connectors
2	—	Bolts
3	13C791	Driver door module (DDM) Installation Note

4. To install, reverse the removal procedure.

Item 3: Driver Door Module (DDM) Installation Note

1. Once the DDM is installed, it is necessary to download the module configuration information from the daignostic tool into the new module. Refer to [Module Configuration](#) in this section.

SECTION 501-01: Body System — Interior

REMOVAL AND INSTALLATION

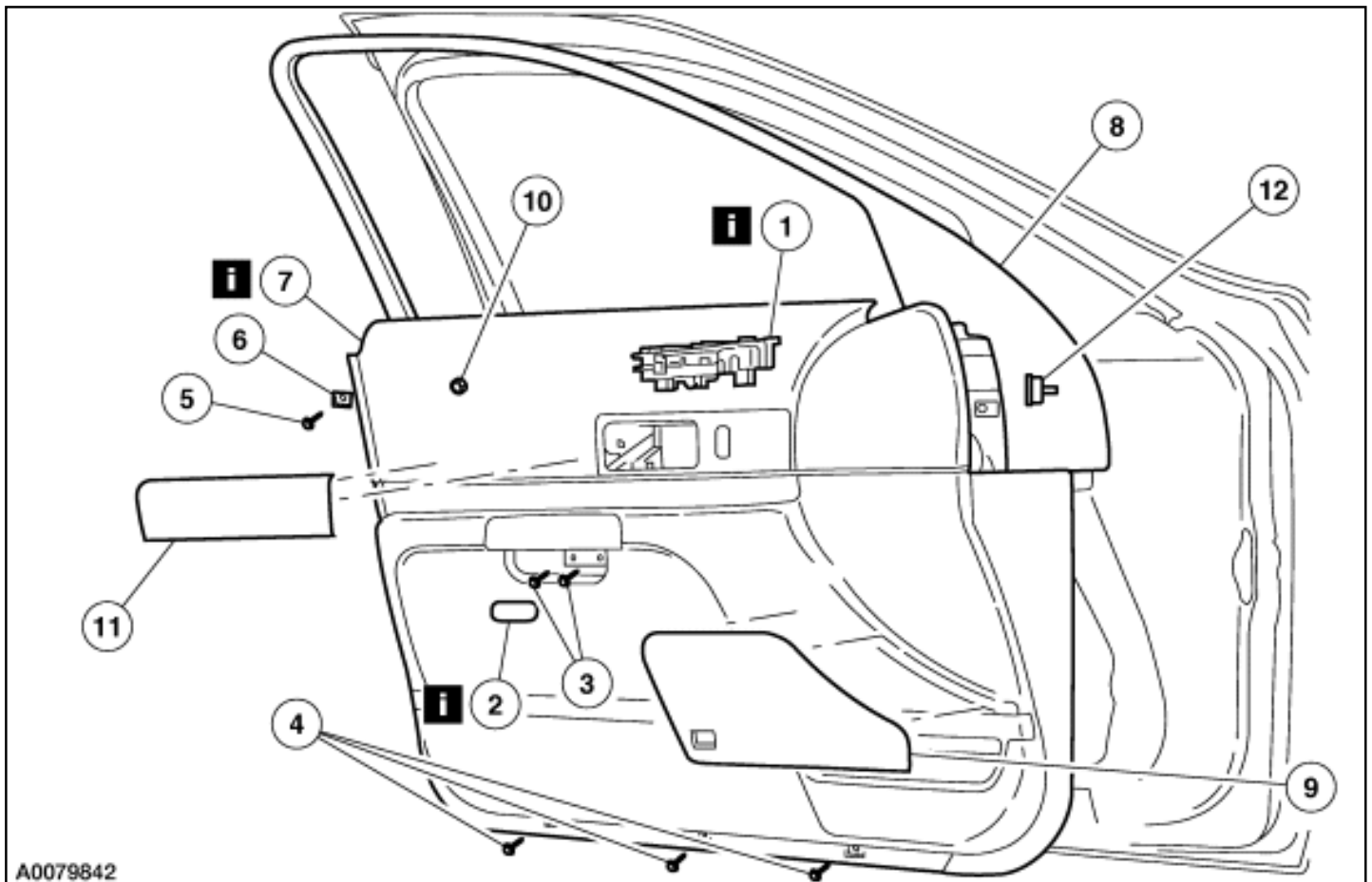
2003 Lincoln LS Workshop Manual
[Procedure revision date: 04/07/2003](#)

Front Door Trim Panel [Printable View \(131 KB\)](#)

1. Disconnect the battery. For additional information, refer to [Section 414-00](#).
2. To remove individual components only, carry out the listed steps.

Component	Steps
Door trim panel	1-7
Garnish molding	1-8
Speaker cover	1-9
Applique	1-11

3. Remove the components in the order indicated in the following illustration and table.



A0079842

Item	Part Number	Description

1	23942	Window regulator control switch panel assembly Removal Note
2	23A742	Screw cover Removal Note
3	56914-5424	Screws (2 required)
4	N806555-S424	Screws (3 required)
5	W504246-S424	Screw
6	239A04	Screw grommet
7	23942/23943	Front door trim panel Removal Note
8	20890/20891	Front door window garnish moulding
9	601B48/601B49	Speaker grille
10	—	Nuts
11	238A70/238A71	Door trim panel applique
12	W708599-S	Pin-type retainers (9 required)

4. To install, reverse the removal procedure.

Item 1: Window Regulator Control Switch Panel Removal Note

1. Disconnect the electrical connectors.

Item 2: Screw Cover Removal Note

1. From the top of the cover on center, use a suitable tool, insert 2-3 mm and rotate to disengage the snap feature.

Item 7: Front Door Trim Panel Removal Note

1. Disconnect the door lock control switch electrical connector.
2. If equipped, disconnect the driver seat memory switch electrical connector.