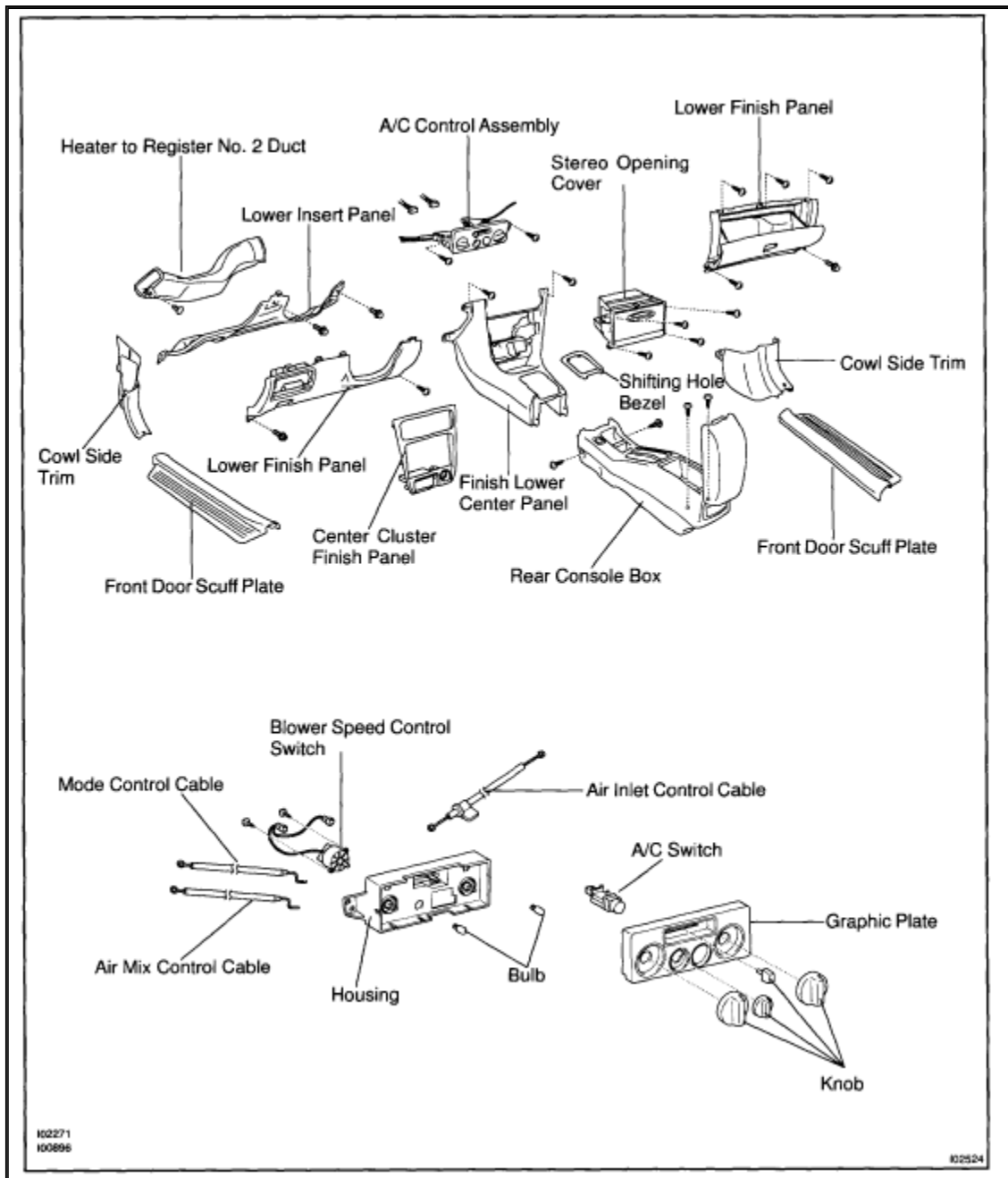


2000 Toyota Corolla CE Sedan L4-1.8L (1ZZ-FE)

Vehicle Level → Heating and Air Conditioning → Control Assembly → Service and Repair → Removal and Installation ←

Removal and Installation



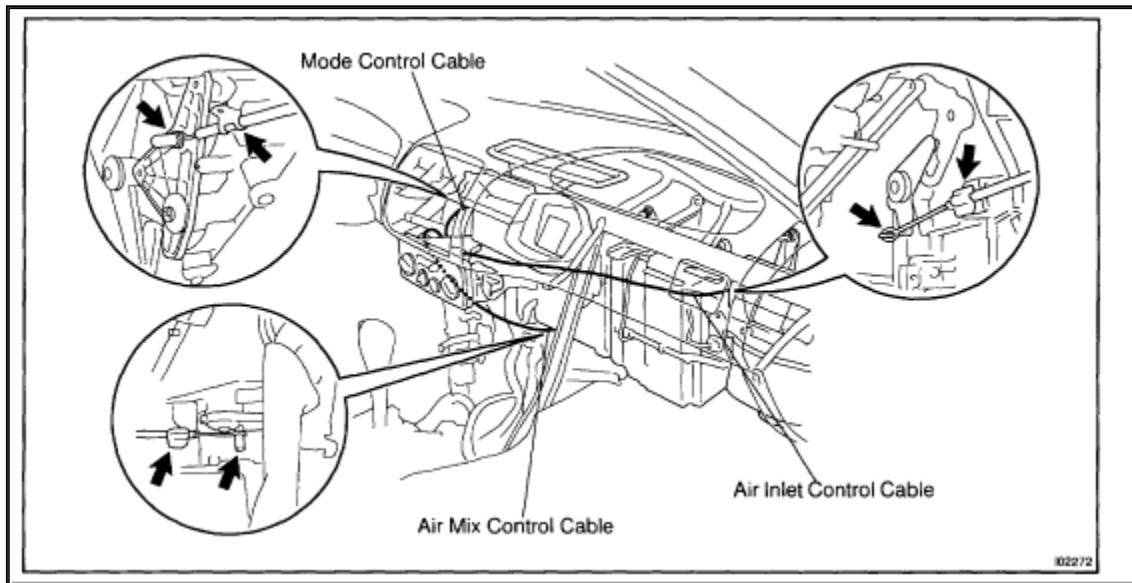
Zoom

Sized for Print

COMPONENTS

REMOVAL

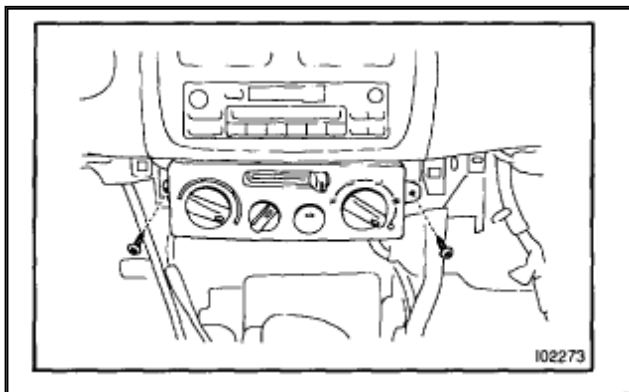
1. REMOVE COWL SIDE TRIMS
2. REMOVE FRONT DOOR SCUFF PLATES
3. REMOVE LOWER FINISH PANEL
4. REMOVE LOWER INSERT PANEL
5. REMOVE CENTER CLUSTER FINISH PANEL
6. REMOVE HEATER TO RESISTOR NO.2 DUCT
7. REMOVE LOWER PANEL
8. REMOVE REAR CONSOLE BOX
9. REMOVE SHIFTING HOLE BEZEL
10. REMOVE FINISH LOWER CENTER PANEL



Zoom

Sized for Print

11. DISCONNECT HEATER CONTROL CABLE



Zoom

Sized for Print

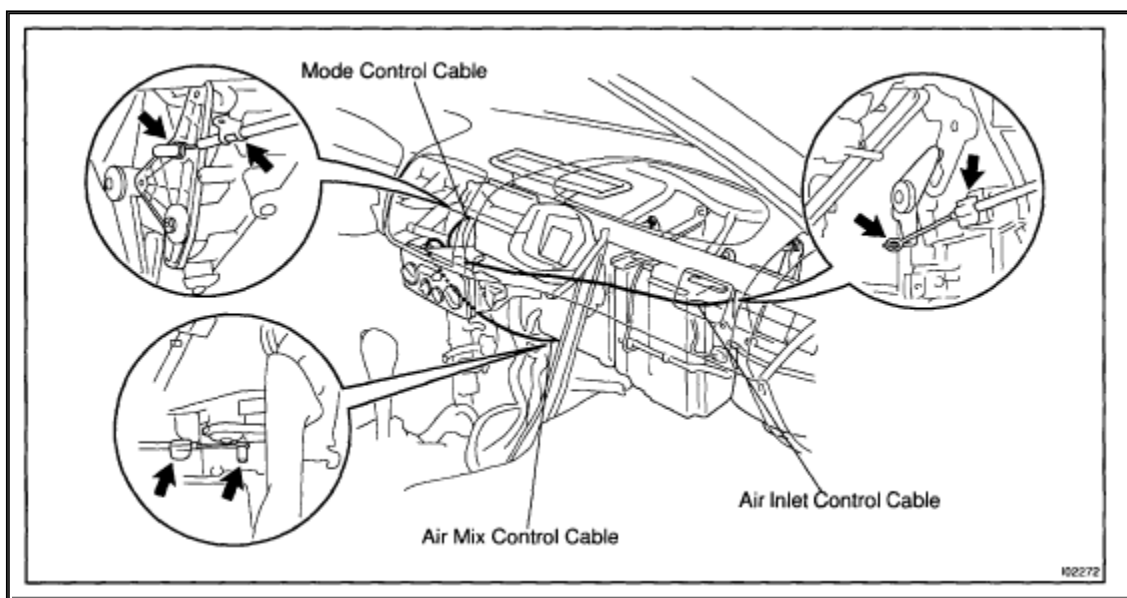
12. REMOVE A/C CONTROL ASSEMBLY Remove the 2 screws and pull out the A/C control assembly, then disconnect the connector.

NOTE: Be careful not to vent the mode control cable, when pull out the A/C control assembly.

INSTALLATION

1. INSTALL A/C CONTROL ASSEMBLY

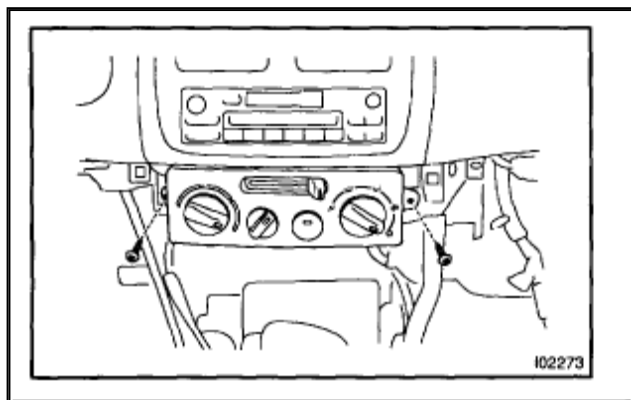
- a. Connect the connector.



Zoom

Sized for Print

- b. Pass the heater control cables as shown in the illustration.



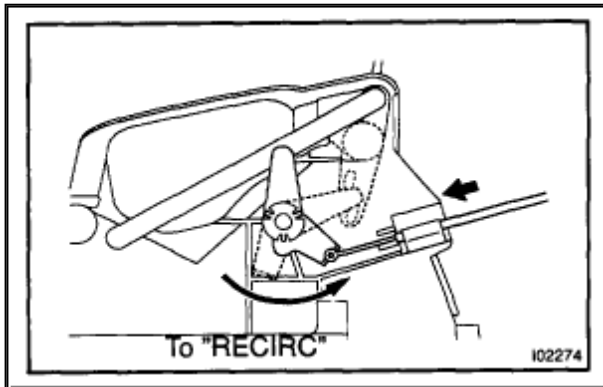
Zoom

Sized for Print

- c. Install the 2 set screws.

2. CONNECT HEATER CONTROL CABLES

- a. Set Air inlet control lever at "RECIRC" position
- b. Set Temperature control dial at "MAX. COOL" position
- c. Set Mode control dial at "DEF" position

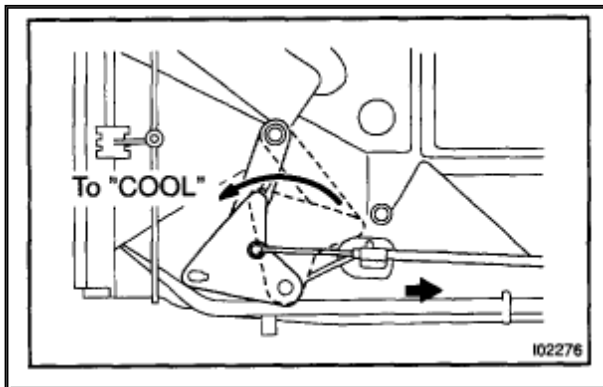


Zoom

Sized for Print

- d. Adjust air inlet control cable. Set air inlet damper control lever to "RECIRC" position and connect the inner cable to lever pin and clamp the outer cable.

HINT: Lock the clamp while lightly pushing the outer cable to the direction shown by arrow in the illustration.



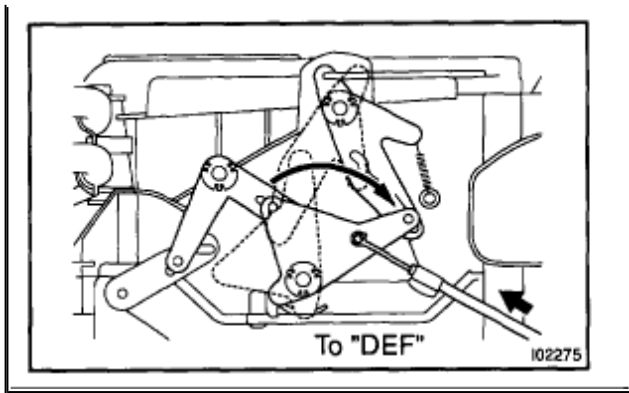
Zoom

Sized for Print

- e. Adjust air mix control cable. Set air mix damper control lever to "MAX. COOL" position and connect the inner cable to lever pin and clamp the outer cable.

HINT: Lock the clamp while lightly pulling the outer cable to the direction shown by arrow in the illustration.





Zoom

Sized for Print

- f. Adjust mode control cable. Pull the air inlet control link to "DEF" position, connect the control cable and lock the clamp.

HINT: Lock the clamp while lightly pushing the outer cable to the direction shown by arrow in the illustration.

3. INSTALL FINISH LOWER CENTER PANEL
4. INSTALL SHIFTING HOLE BEZEL
5. INSTALL REAR CONSOLE BOX
6. INSTALL LOWER PANEL
7. INSTALL HEATER TO REGISTER NO.2 DUCT
8. INSTALL CENTER CLUSTER FINISH PANEL
9. INSTALL LOWER INSERT PANEL
10. INSTALL LOWER FINISH PANEL
11. INSTALL FRONT DOOR SCUFF PLATES
12. INSTALL COWL SIDE TRIMS

© 2010 ALLDATA LLC. All rights reserved.

[Terms of Use](#)