

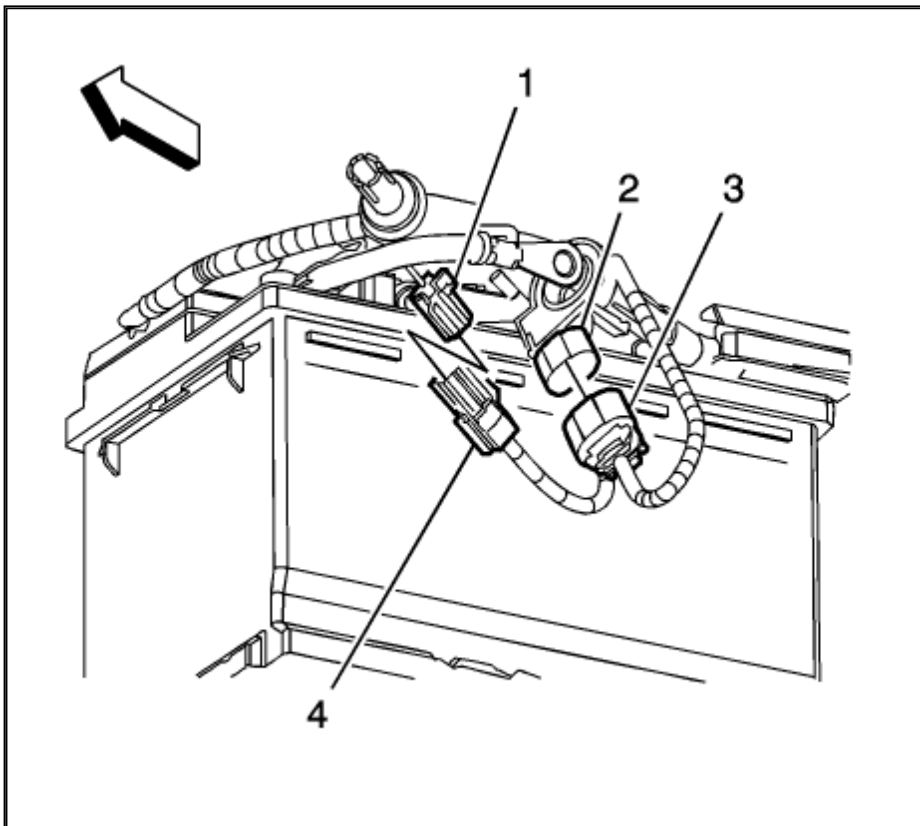
## 2009 Buick Truck Enclave AWD V6-3.6L

[Vehicle Level](#) → [Starting and Charging](#) → [Battery](#) → [Service and Repair](#) → [Removal and Replacement](#) ←

## Removal and Replacement

## Battery Replacement

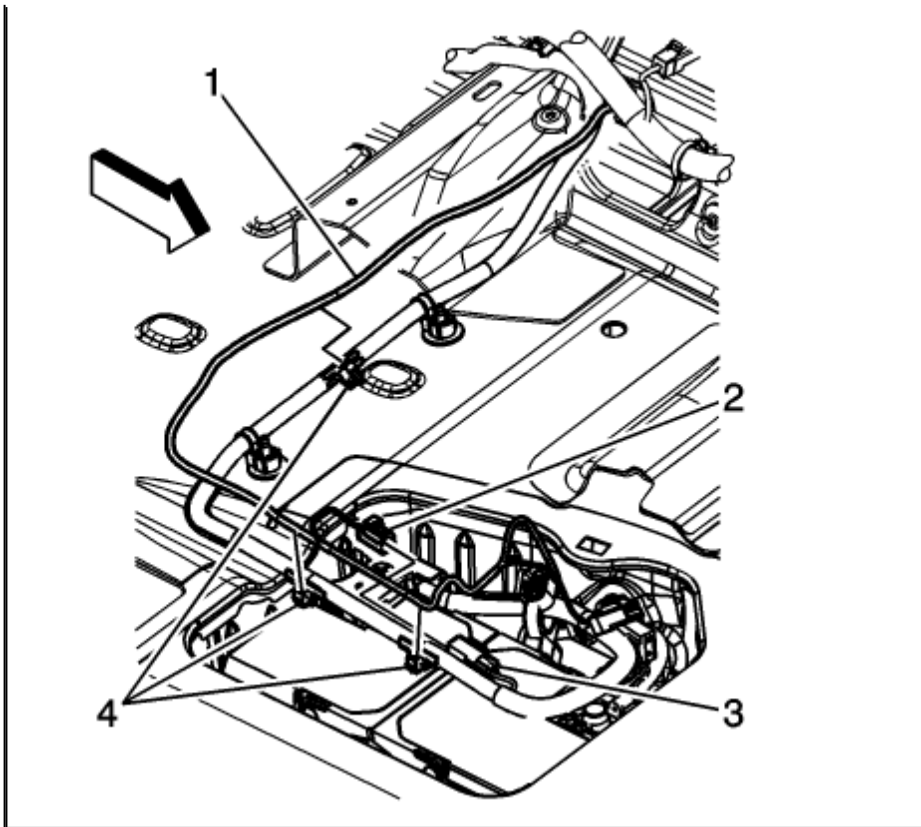
## Removal Procedure



Zoom

Sized for Print

1. Disconnect the negative [battery cable](#). Refer to Battery Negative Cable Disconnection and Connection (See: [Battery Cable\Service and Repair](#)).
2. Disconnect the body [wiring harness](#) electrical connector (3) from the [battery current sensor](#) (2).
3. Disconnect the body [wiring harness](#) electrical connector (4) from the negative [battery cable](#) electrical connector (1).

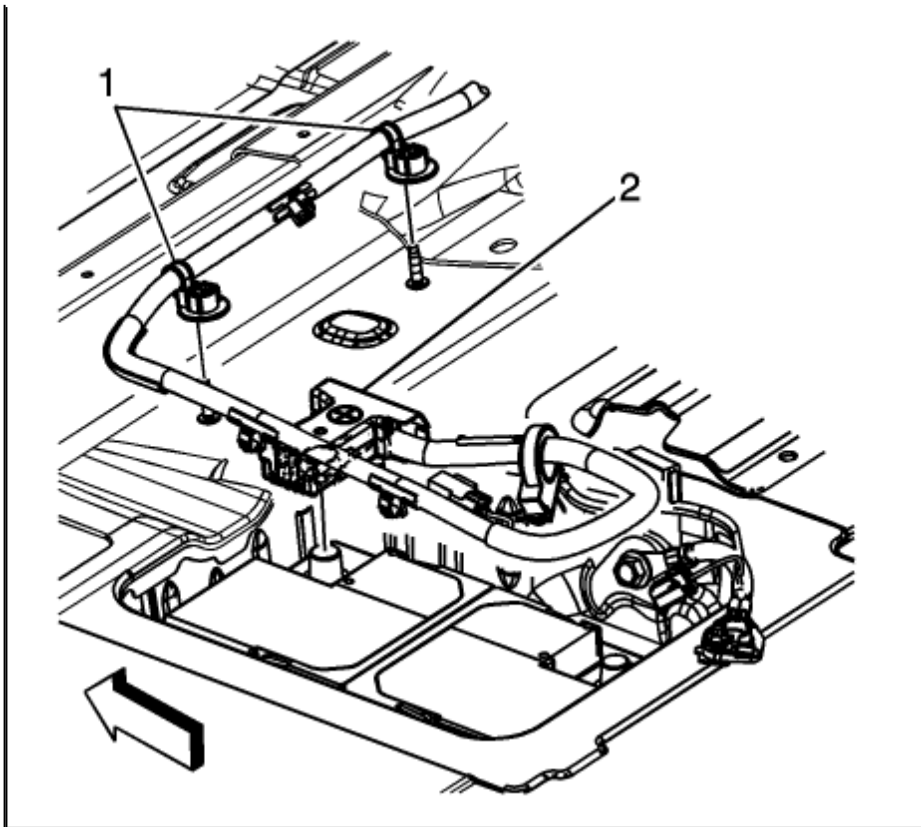


Zoom

Sized for Print

4. Disconnect the body [wiring harness](#) electrical connector (2) from the positive [battery cable](#) electrical connector (3).

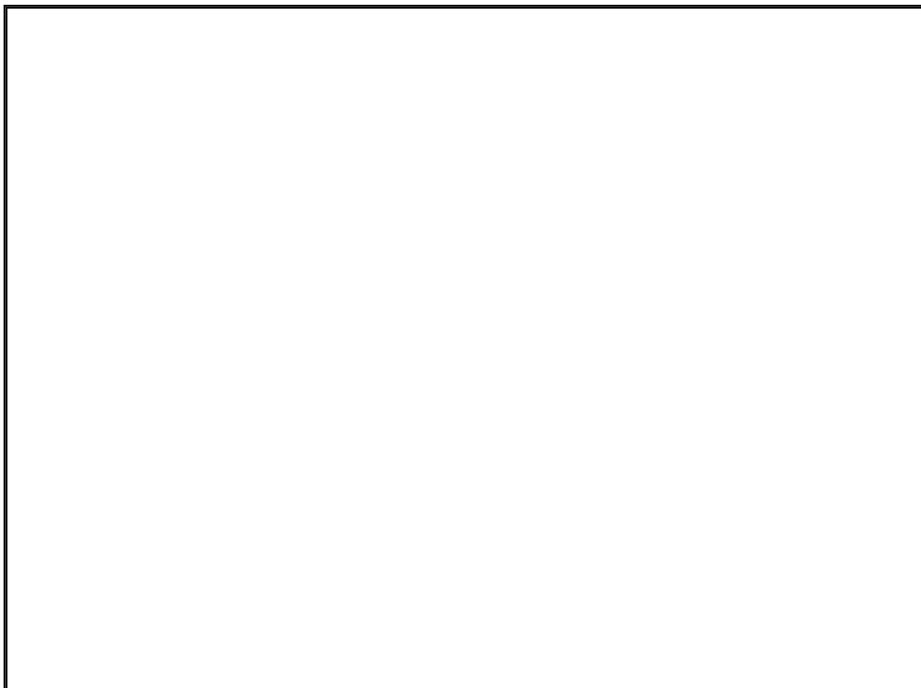


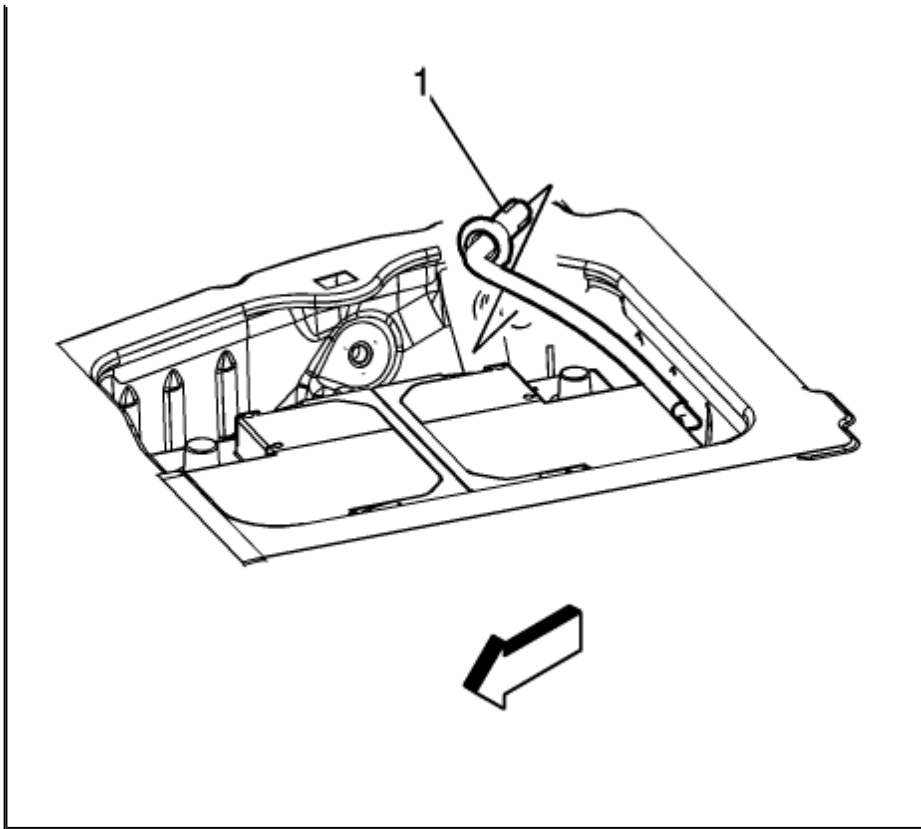


Zoom

Sized for Print

5. Open the positive [battery cable](#) cover (2).
6. Loosen the positive [battery cable](#) terminal nut.
7. Remove the positive [battery cable](#) terminal from the battery positive terminal and reposition the cable out of the way.

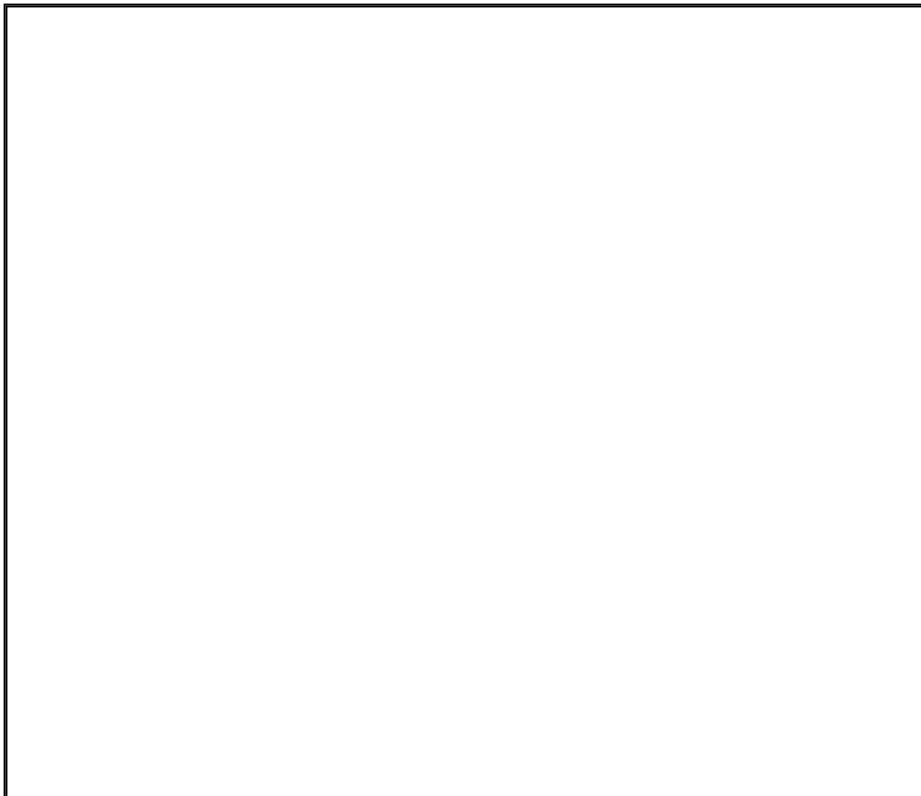


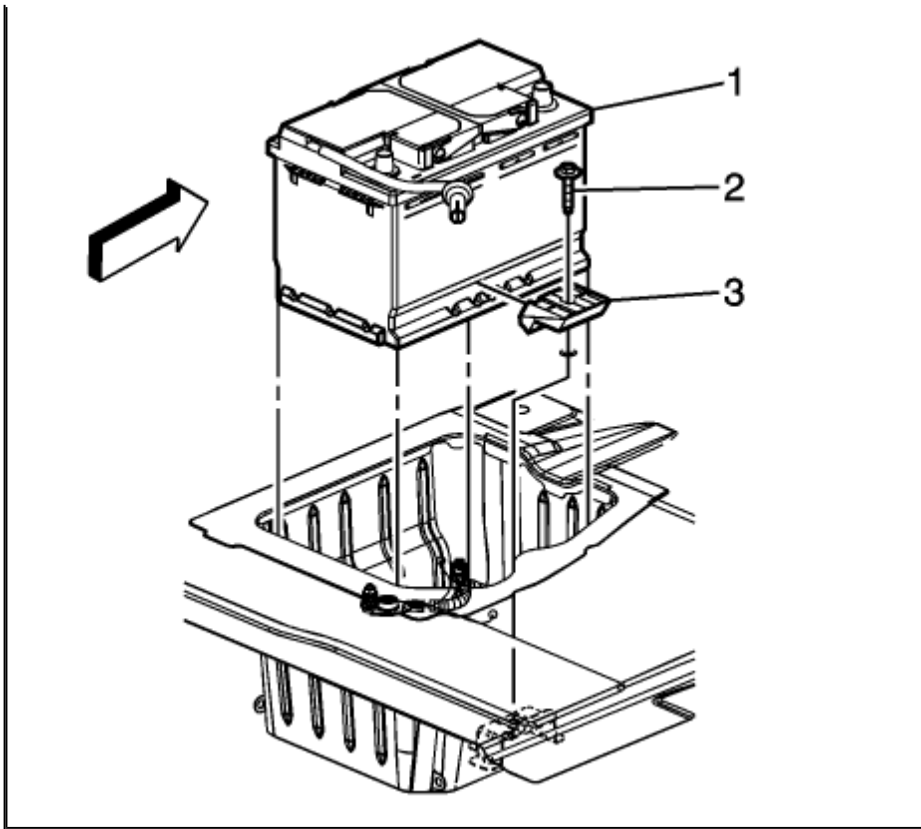


Zoom

Sized for Print

8. Remove the battery vent hose grommet (1) from the battery box.

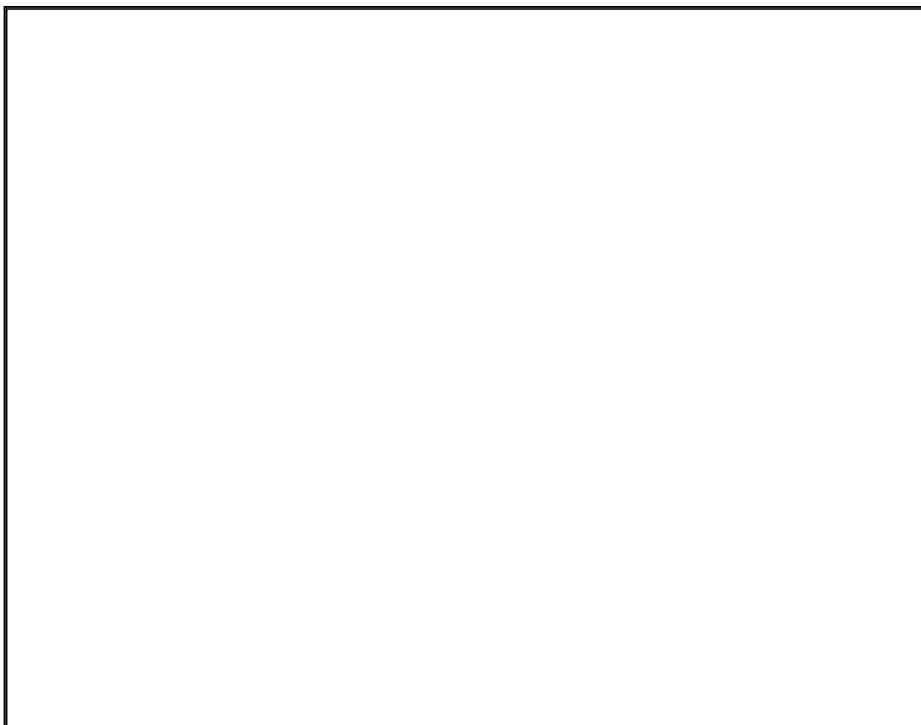


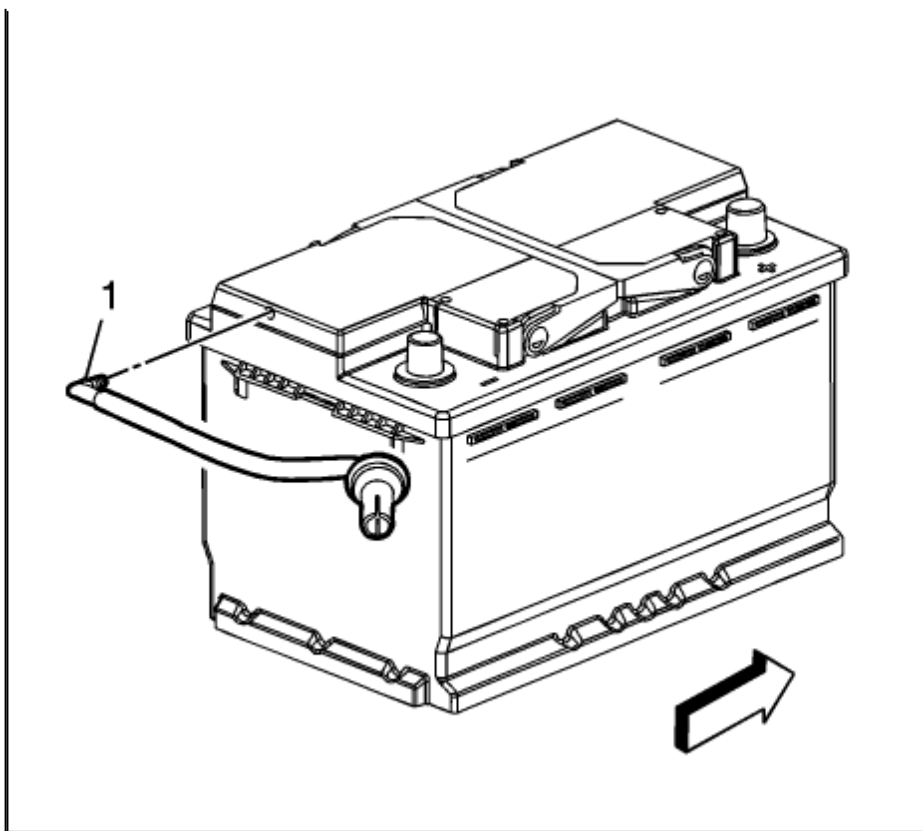


Zoom

Sized for Print

9. Remove the battery hold down bolt (2).
10. Remove the battery hold down (3).
11. Remove the battery (1).





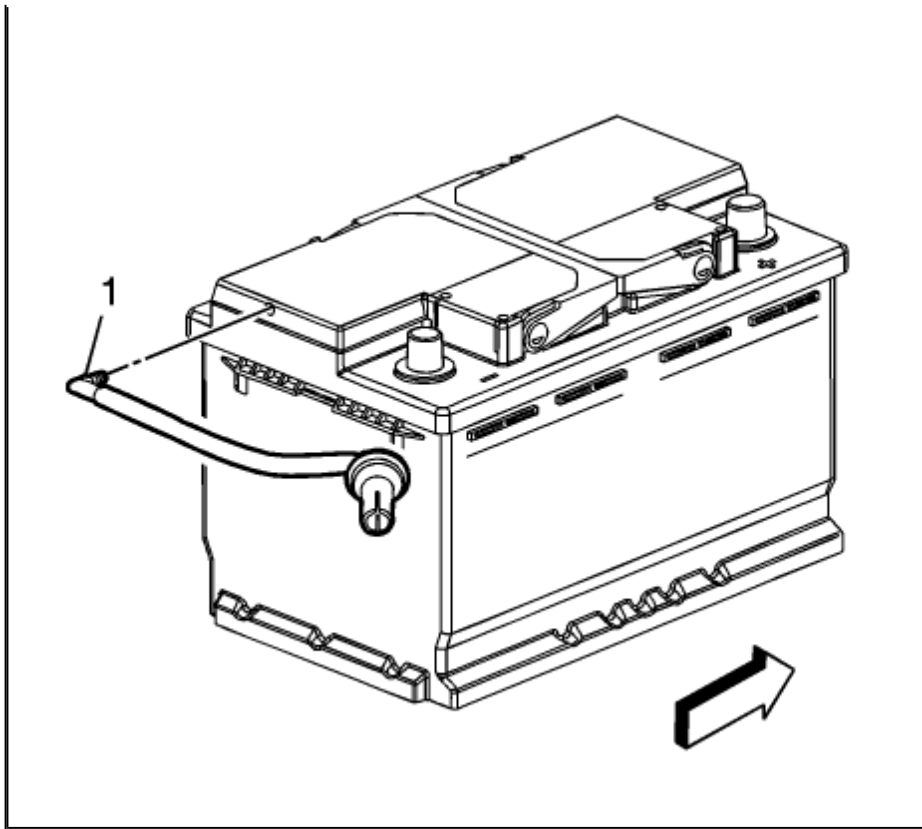
Zoom

Sized for Print

12. Remove the battery vent hose (1) from the battery, if required.

### Installation Procedure





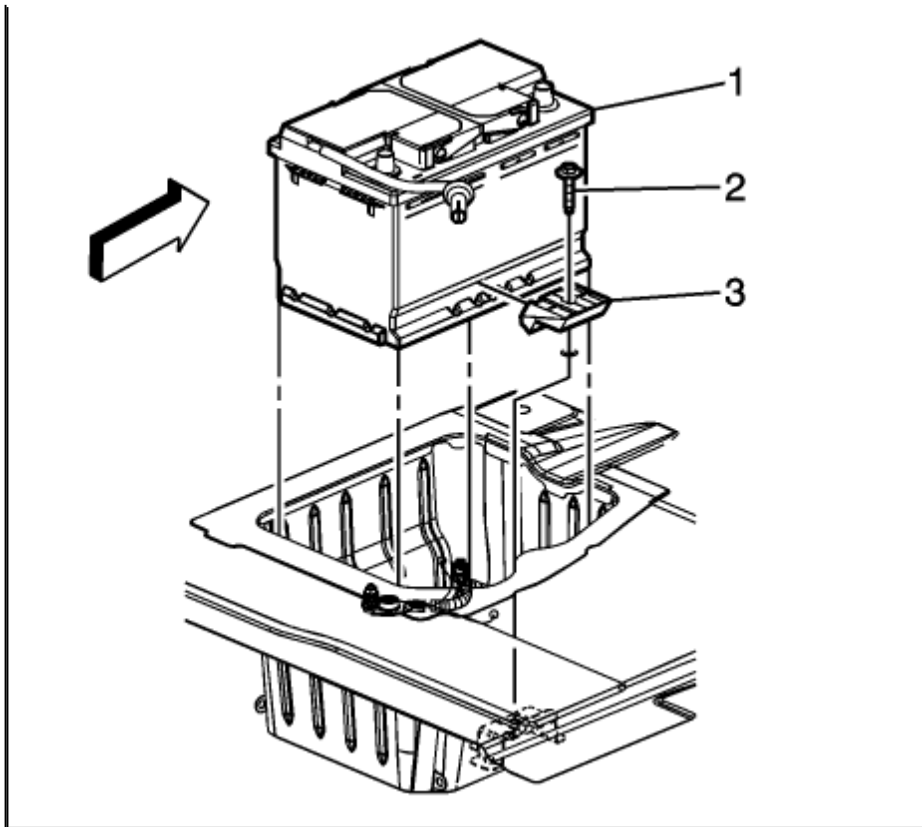
Zoom

Sized for Print

**Important: Replacement batteries may require the vent plug in the battery vent hole to be moved from one end of the battery to the other to permit vent tube installation per original design.**

1. Install the battery vent hose (1) to the battery.





Zoom

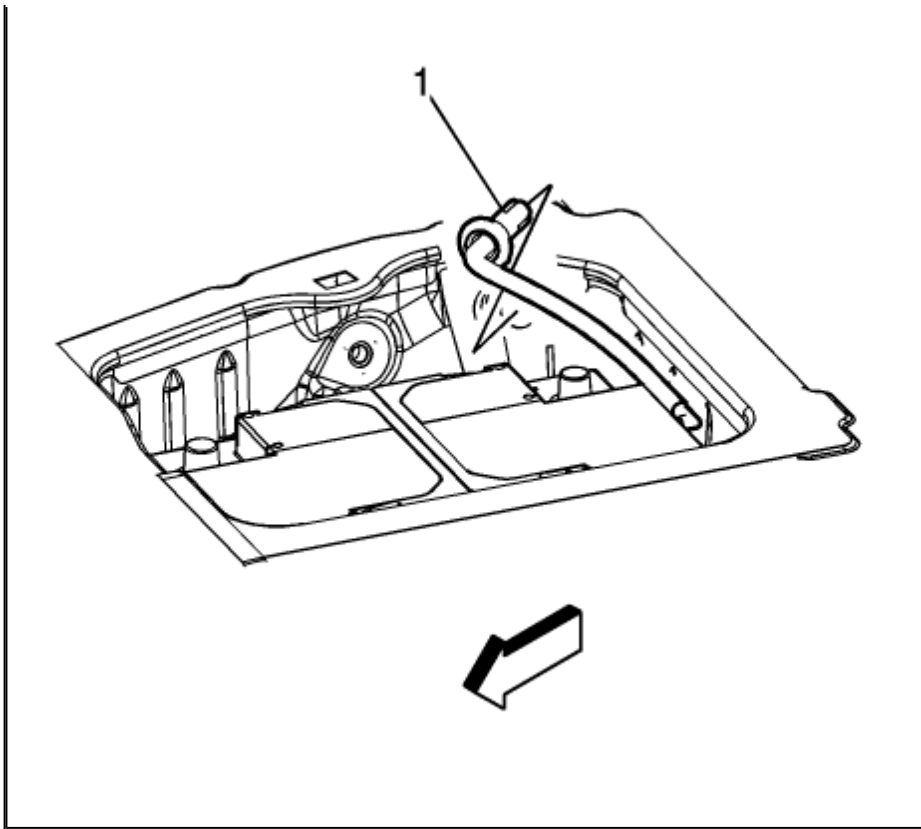
Sized for Print

2. Install the battery (1) into the battery box.
3. Install the battery hold down (3).

**Caution:** Refer to Fastener Caution ([See: Service Precautions\Vehicle Damage Warnings\Fastener Caution](#)).

4. Install the battery hold down bolt (2) and tighten to **25 Nm (18 lb ft)** .

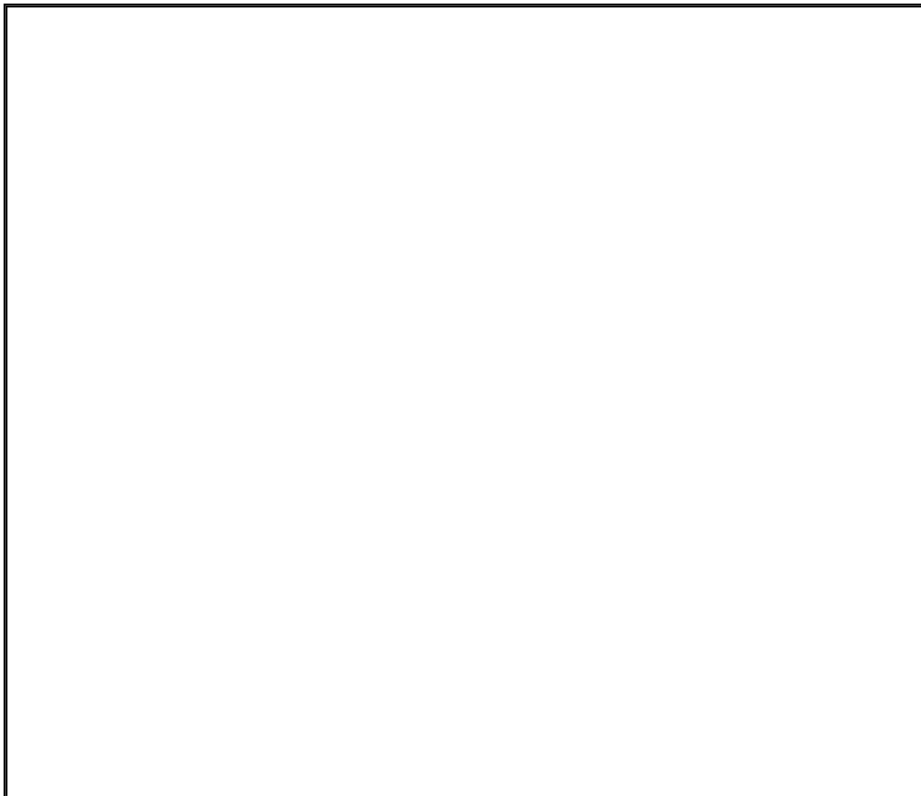


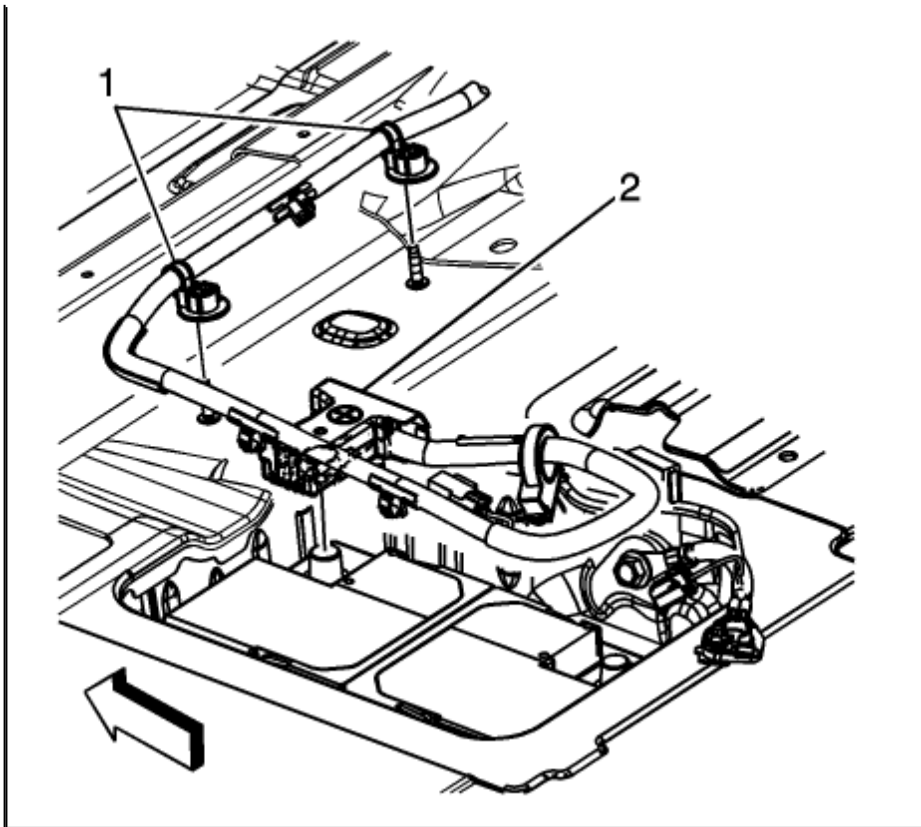


Zoom

Sized for Print

5. Install the battery vent hose grommet (1) to the battery box.

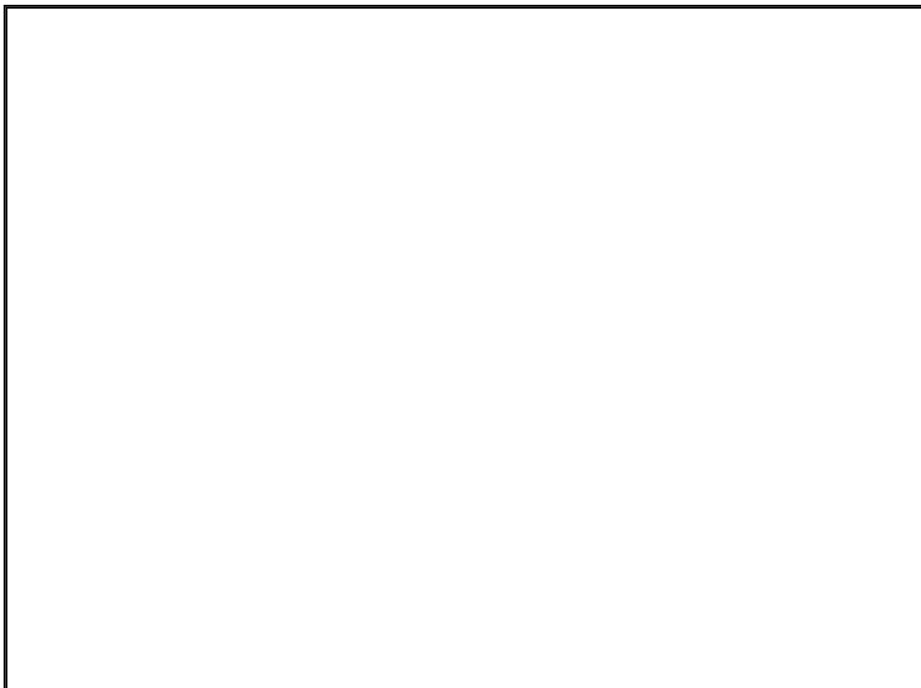


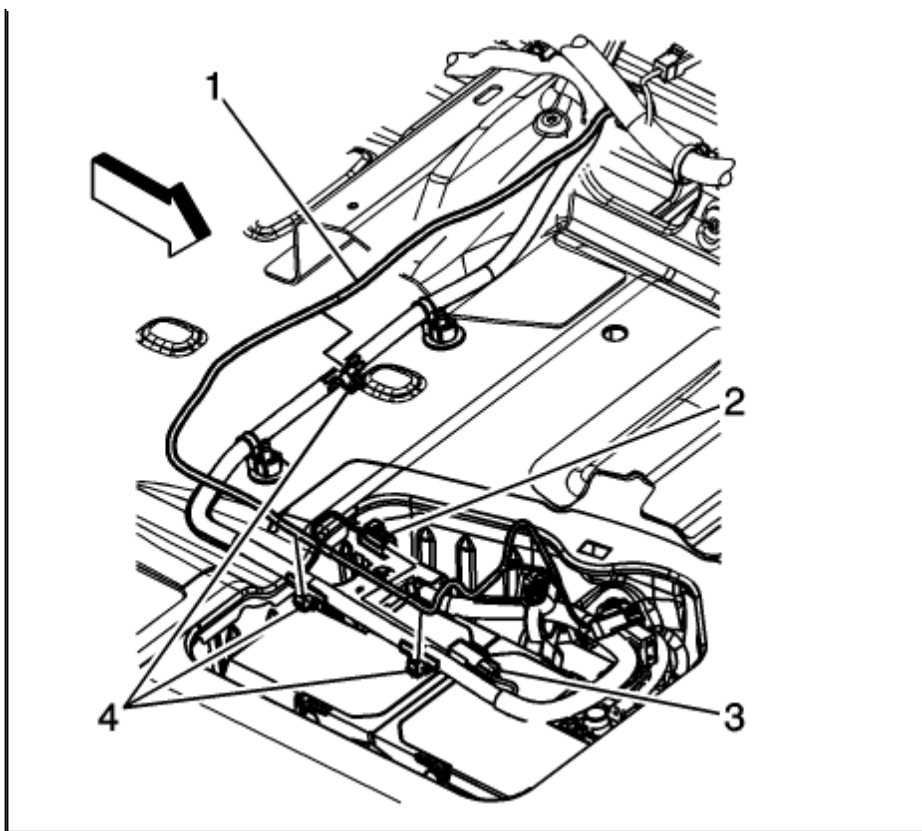


Zoom

Sized for Print

6. Position the positive [battery cable](#), and Install the cable terminal to the battery positive terminal.
7. Tighten the positive [battery cable](#) terminal nut and tighten to **9 Nm (80 lb in)** .
8. Close the positive [battery cable](#) cover (2).



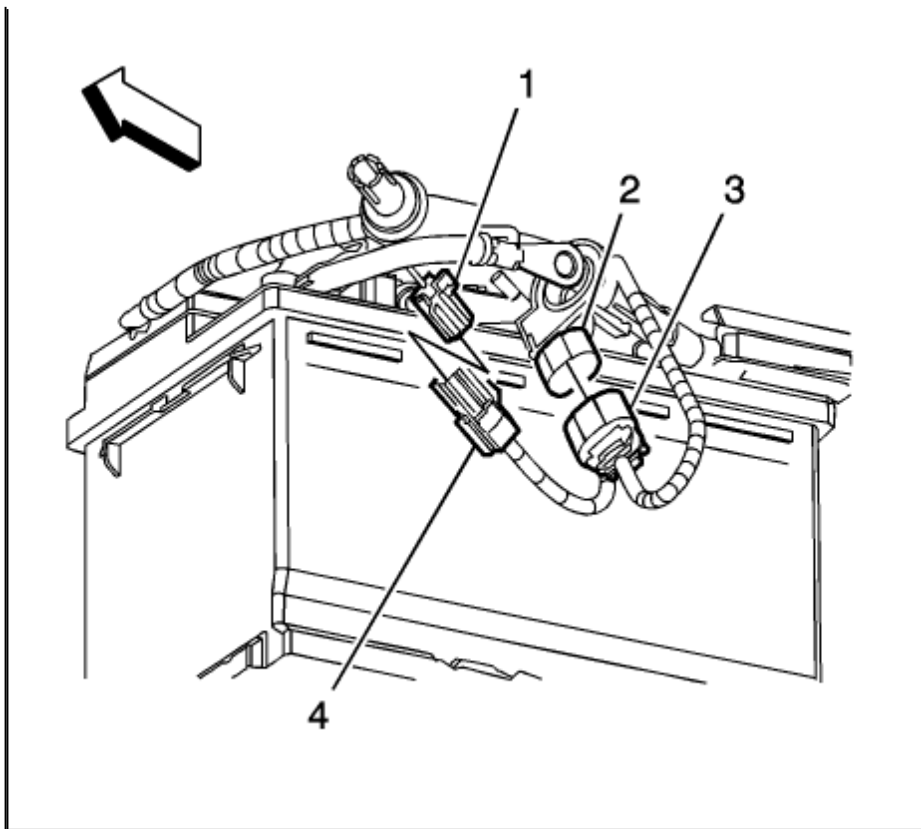


Zoom

Sized for Print

9. Connect the body [wiring harness](#) electrical connector (2) to the positive [battery cable](#) electrical connector (3).



[Zoom](#)[Sized for Print](#)

10. Connect the body [wiring harness](#) electrical connector (4) to the negative [battery cable](#) electrical connector (1).
11. Connect the body [wiring harness](#) electrical connector (3) to the [battery current sensor](#) (2).
12. Connect the negative [battery cable](#). Refer to Battery Negative Cable Disconnection and Connection ([See: Battery Cable\Service and Repair](#)).