


[Home](#) | [Account](#) | [Contact ALLDATA](#) | [Log Out](#) | [Help](#)

TINO TORRES

[Select Vehicle](#) | [New TSBs](#) | [Technician's Reference](#)

Component Search:

OK

## 2004 Acura RSX L4-2.0L

[Vehicle Level](#) → [Body and Frame](#) → [Doors, Hood and Trunk](#) → [Front Door Panel](#) → [Service and Repair](#) ←

### Service and Repair

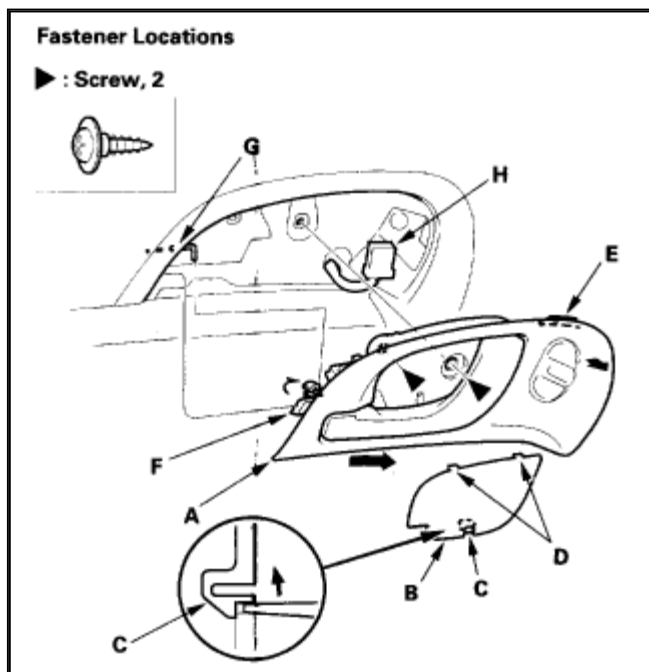
[Notes](#)

#### Door Panel Removal/Installation

#### Special Tools Required

- Trim pad remover. Snap-on A 177A or equivalent, commercially available
- KTC trim tool set SOJATP2014

**NOTE:** Use the appropriate tool from the KTC trim tool set to avoid damage when prying components.

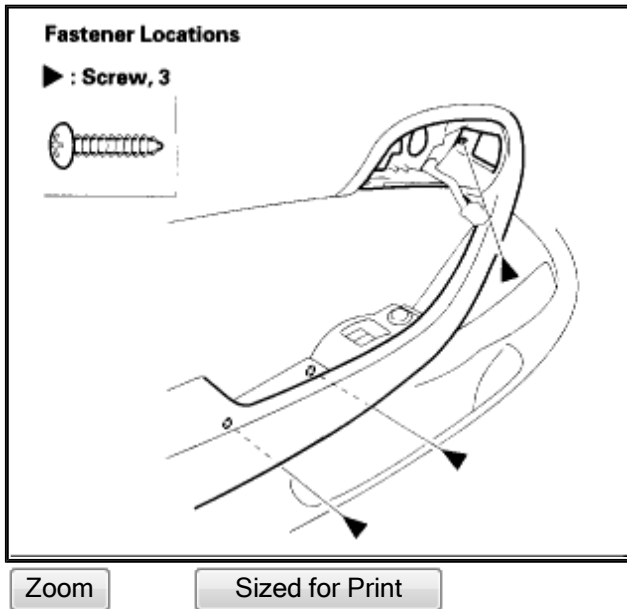


Zoom

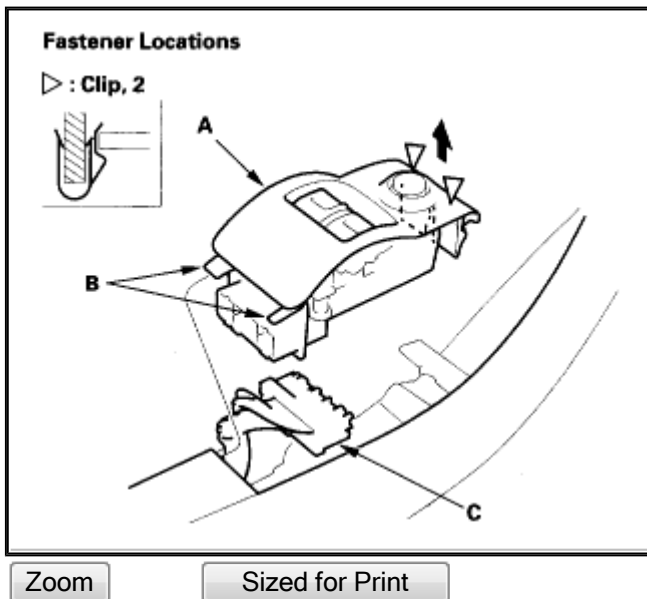
Sized for Print

1. Remove the inner handle (A). Take care not to scratch the door panel.
1. Pry out on the bottom portion of the cover (B) to release the clip (C) and tabs (D), then remove the cover.
2. Remove the screws.
3. Pull the inner handle out to release the hook (E).
4. Pull the inner handle forward and out half-way to release the hook (F).

5. Disconnect the inner handle cable (G) and [power door lock switch](#) connector (H).
2. Lower the glass fully.

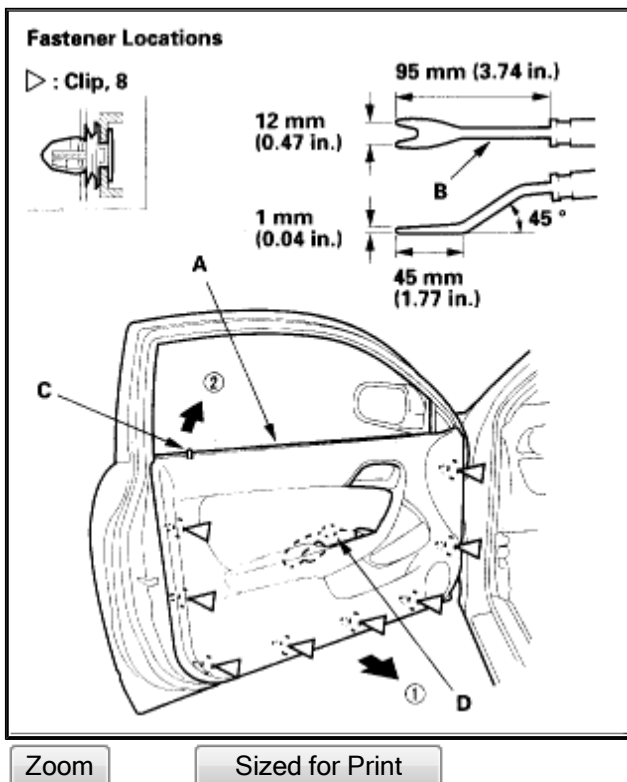


3. Remove the screws from the armrest portion and inner handle opening.



4. Remove the switch panel (A). Take care not to scratch the door panel.
  1. Pry out the front portion of the panel to release the clips.
  2. Release the hooks (B) by pulling the panel forward.
  3. Disconnect the power window switch connector (C).

- Remove the mirror mount cover.



- Release the clips that hold the door panel (A) with a commercially available trim pad remover (B), then remove the door panel by pulling it upward to release it from the lock knob (C) and door. Remove the door panel with as little bending as possible to avoid creasing or breaking it. Detach the harness clip (D) from the door panel.
- Install the door panel in the reverse order of removal, and note these items:
  - Replace any damaged or stress-whitened clips.
  - Make sure the connectors are plugged in properly, and the cable is connected properly.
  - Push the clips into place securely.
  - Do the power window control unit reset procedure.
  - Check the window and power door lock operations.