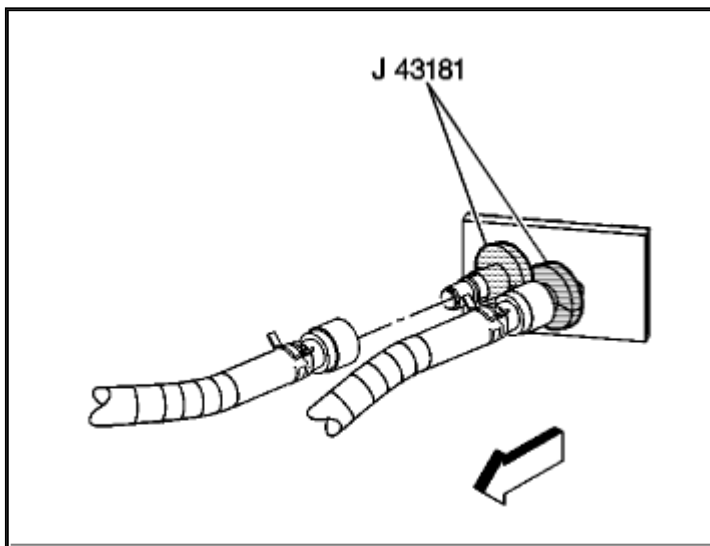


2003 Cadillac Truck Escalade V8-6.0L VIN N[Vehicle Level](#) → [Heating and Air Conditioning](#) → [Housing Assembly HVAC](#) → [Service and Repair](#) ←**Service and Repair**[Notes](#)**TOOLS REQUIRED**

J 43181 Quick Connect Connector Removal Tool

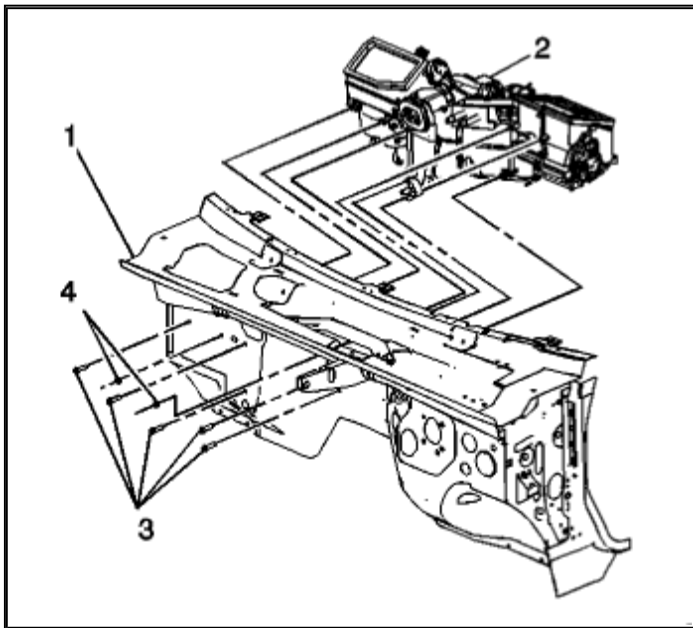
REMOVAL PROCEDURE

1. Drain the engine coolant.

[Zoom](#)[Sized for Print](#)

2. Using the J 43181 disconnect the inlet [heater hose](#) from the [heater core](#).
 - 2.1. Install the J 43181 to the [heater core](#) pipe.
 - 2.2. Close the tool around the [heater core](#) pipe.
 - 2.3. Firmly pull the tool into the quick connect end of the [heater hose](#).
 - 2.4. Firmly grasp the [heater hose](#). Pull the heater hose forward in order to disengage the inlet hose from the [heater core](#).
3. Using the J 43181 disconnect the surge tank outlet hose from the [heater core](#).

- 3.1. Install the J 43181 to the [heater core](#) pipe.
 - 3.2. Close the tool around the [heater core](#) pipe.
 - 3.3. Firmly pull the tool into the quick connect end of the [heater hose](#).
 - 3.4. Firmly grasp the [heater hose](#). Pull the heater hose forward in order to disengage the surge tank outlet hose from the [heater core](#).
4. Remove the accumulator.
 5. Remove the instrument panel carrier.
 6. Remove the HVAC module drain hose.
 7. Disconnect the electrical harnesses and the ground connections from the HVAC module.



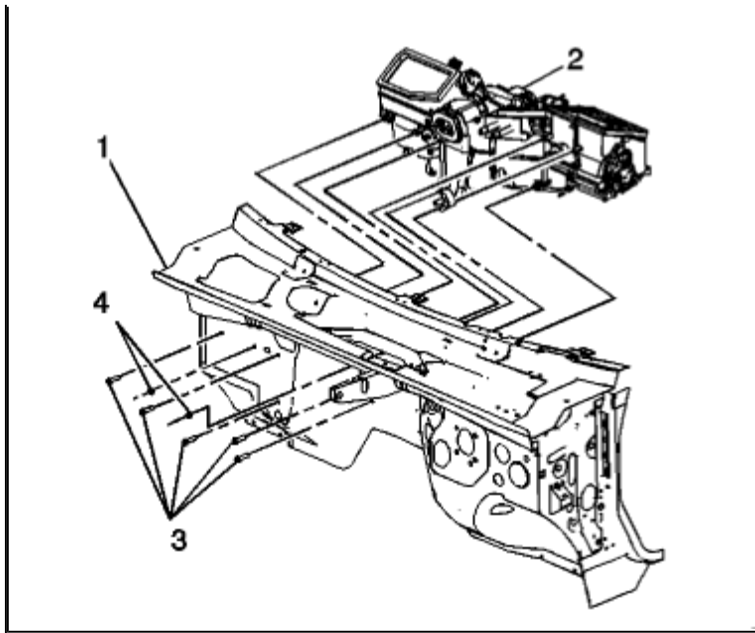
Zoom

Sized for Print

8. Remove the nuts (4) from the HVAC module (2).
9. Remove the bolts (3) from the HVAC module (2).
10. Remove the HVAC module (2) from the vehicle (1).

INSTALLATION PROCEDURE

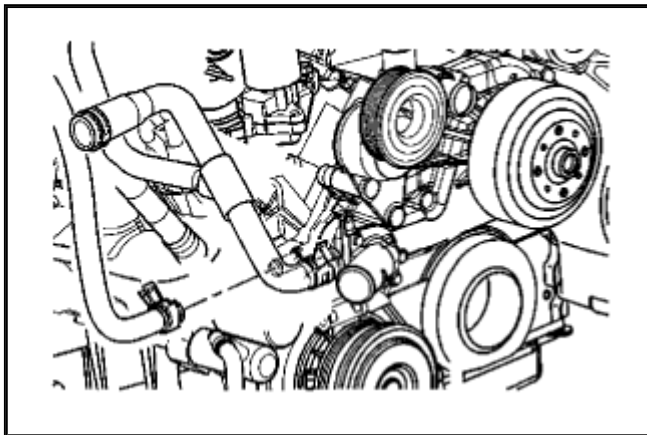




Zoom

Sized for Print

1. If replacing the HVAC module, transfer the components from the old HVAC module as necessary.
2. Install the HVAC module (2) to the vehicle (1).
3. Install the nuts (4) to the HVAC module (2). **NOTE:** Refer to Fastener Notice in Service Precautions. **Tighten** Tighten the nuts to **9 N.m (80 lb in)** .
4. Install the bolts(4) to the HVAC module (2). **Tighten** Tighten the bolts to **4 N.m (35 lb in)** .
5. Connect the electrical harnesses and the ground connections.
6. Install the HVAC module drain hose.
7. Install the instrument panel carrier.
8. Install the accumulator.



Zoom

Sized for Print

9. Install the surge tank outlet hose to the [heater core](#). Firmly push the quick connect onto the [heater core](#) pipe until you hear an audible click.
10. Install the inlet [heater hose](#) to the [heater core](#). Firmly push the quick connect

- onto the [heater core](#) pipe until you hear an audible click.
11. Fill the engine coolant.

© 2010 ALLDATA LLC. All rights reserved.
[Terms of Use](#)