

Select Vehicle | New TSBs | Technician's Reference Component Search:  OK

Conversion Calculator

2003 Cadillac Truck Escalade V8-6.0L VIN N

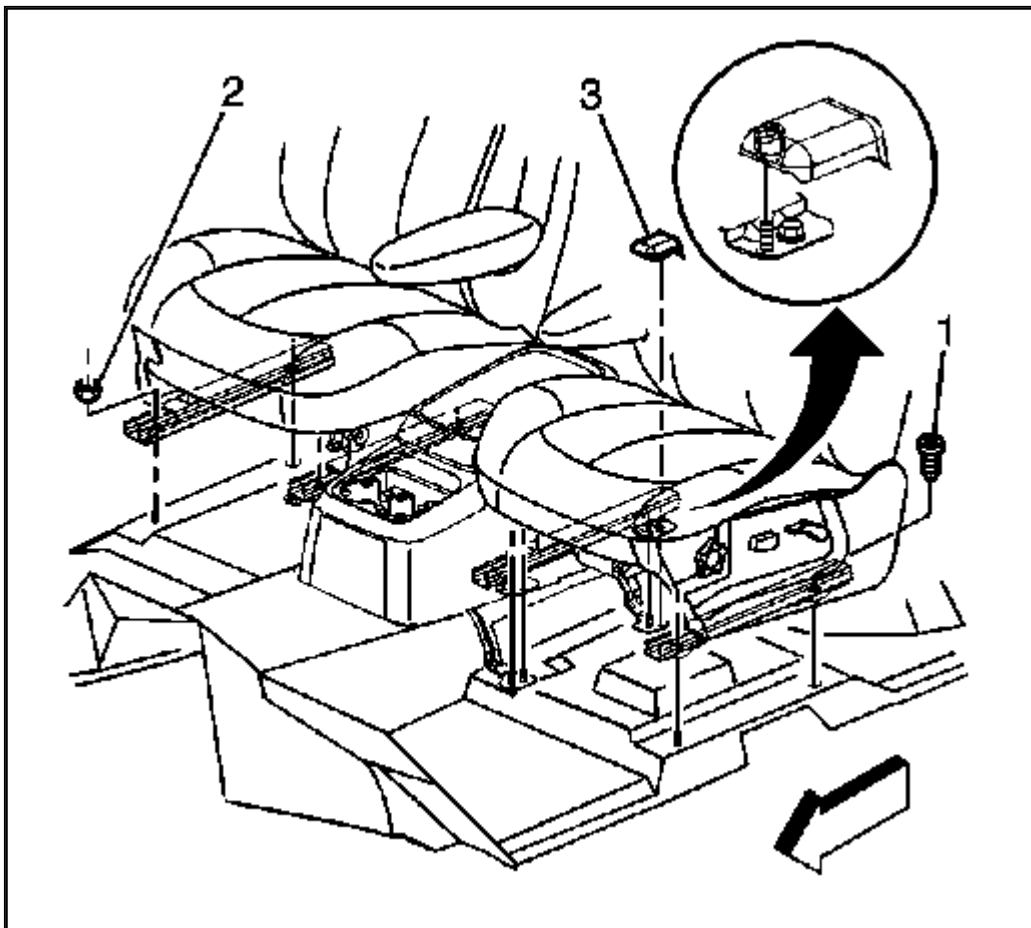
[Vehicle Level](#) → [Body and Frame](#) → [Seats](#) → [Service and Repair](#) → [Seat Replacement - Front Bucket](#) ←

## Seat Replacement - Front Bucket

[Notes](#)

### Seat Replacement - Front Bucket

#### Removal Procedure



Zoom

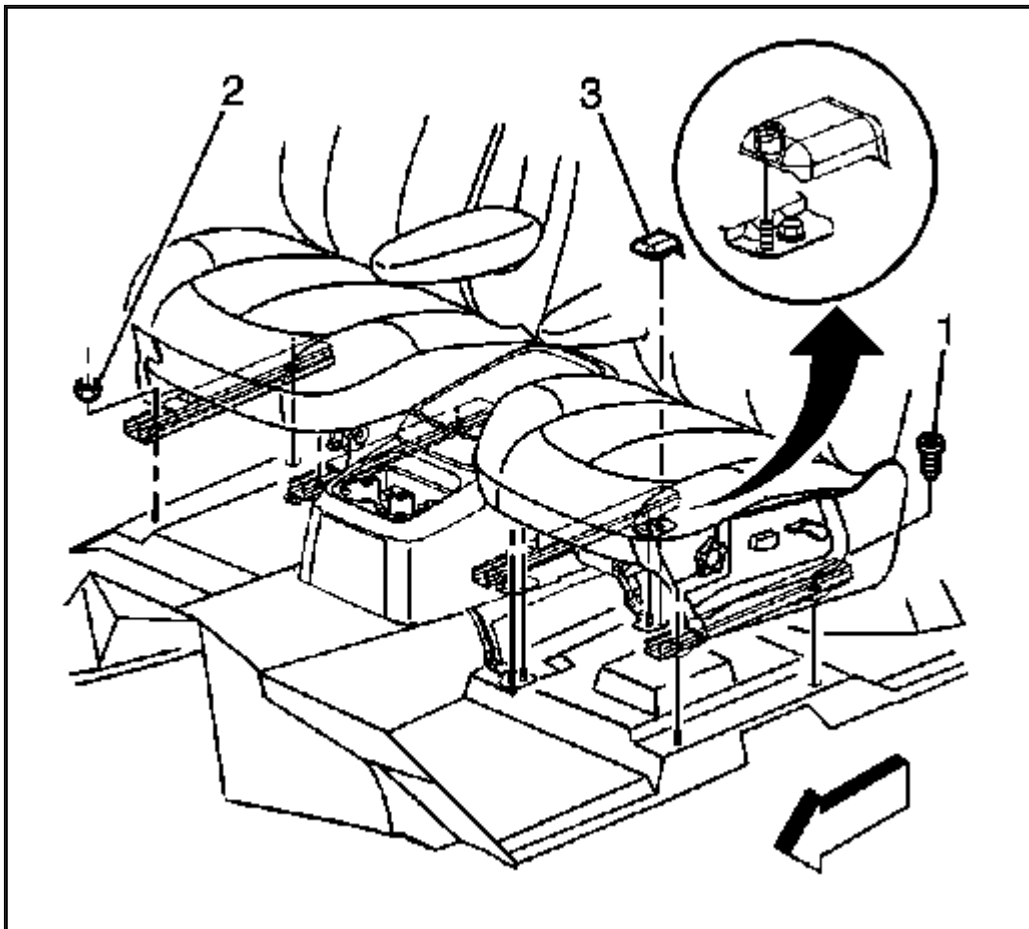
Sized for Print

#### Caution: Refer to SIR Caution in Service Precautions.

1. If equipped with side air bags, disable the SIR system. Refer to SIR Disabling and Enabling Zone 7 and SIR Disabling and Enabling Zone 9 in SIR.

2. Move the seat to the full rearward position. Remove the front seat nut cover (3), if equipped.
3. Remove the seat retaining front nuts (2).
4. Move the seat to the full forward position in order to remove the seat retaining rear bolts (1).
5. Disconnect the electrical harness, if equipped.
6. Remove the seat from the vehicle.

### Installation Procedure



Zoom

Sized for Print

1. Position the seat in the vehicle.
2. Connect the electrical harness, if equipped. **Notice:** Refer to Fastener Notice in Service Precautions.
3. Move the seat to the full forward position in order to install the seat retaining rear bolts (1). **Tighten the retaining rear bolts to 55 N.m (41 lb ft).**
4. Install the front seat adjuster bolt cover (3), if equipped.
5. Move the seat to the full rearward position and install the seat retaining front nuts (2). **Tighten the nuts to 55 N.m (41 lb ft).**
6. If equipped with side air bags, enable the SIR system. Refer to SIR Disabling and Enabling Zone 7 and SIR Disabling and Enabling Zone 9 in SIR.

© 2010 ALLDATA LLC. All rights reserved.  
[Terms of Use](#)