

[Home](#) | [Account](#) | [Contact ALLDATA](#) | [Log Out](#) | [Help](#)

TINO TORRES

[Select Vehicle](#) | [New TSBs](#) | [Technician's Reference](#)

Component Search:

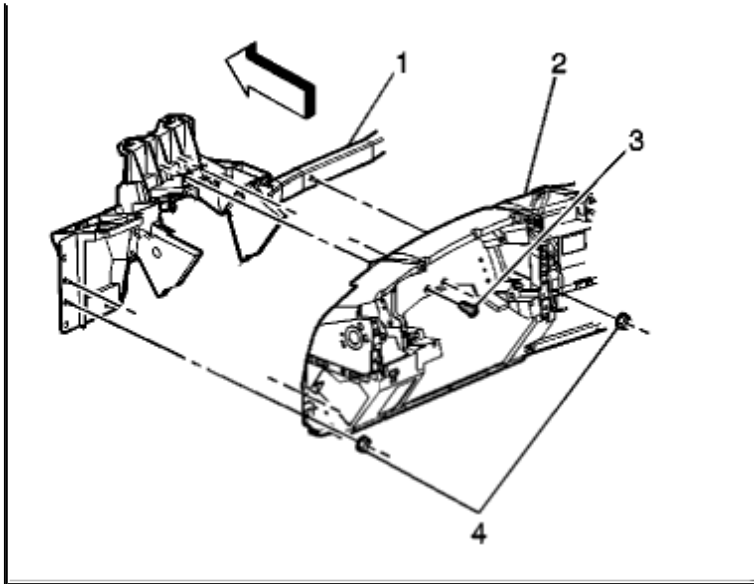
 OK

Conversion Calculator

2003 Cadillac Truck Escalade V8-6.0L VIN N[Vehicle Level](#) → [Body and Frame](#) → [Interior Moulding / Trim](#) → [Dashboard / Instrument Panel](#) → [Service and Repair](#) → [Instrument Panel \(I/P\) - Carrier Replacement](#) ←**Instrument Panel (I/P) - Carrier Replacement**[Notes](#)**REMOVAL PROCEDURE**

1. Remove the I/P [trim panel](#). **CAUTION:**
 - Refer to **Battery Disconnect Caution in Service Precautions**.
 - Refer to **SIR Caution in Service Precautions**.
2. Remove the center console, if equipped.
3. Disconnect the negative battery cable.
4. Remove the driver side knee bolster.
5. Remove the lower I/P [trim panel](#).
6. Remove the passenger side air bag module.
7. Remove the radio.
8. Remove the HVAC control.
9. Remove the accessory switch housing.
10. Remove the left air louver housing.
11. Remove the steering column.
12. Remove the CIM, if equipped.
13. Remove the remote control door lock receiver module, if equipped.
14. Remove the data link connector from the I/P.
15. Remove the park brake release lever from the I/P.
16. Remove the I/P cluster.
17. Remove both front window air duct from the I/P assembly.
18. Remove the harness from the I/P.

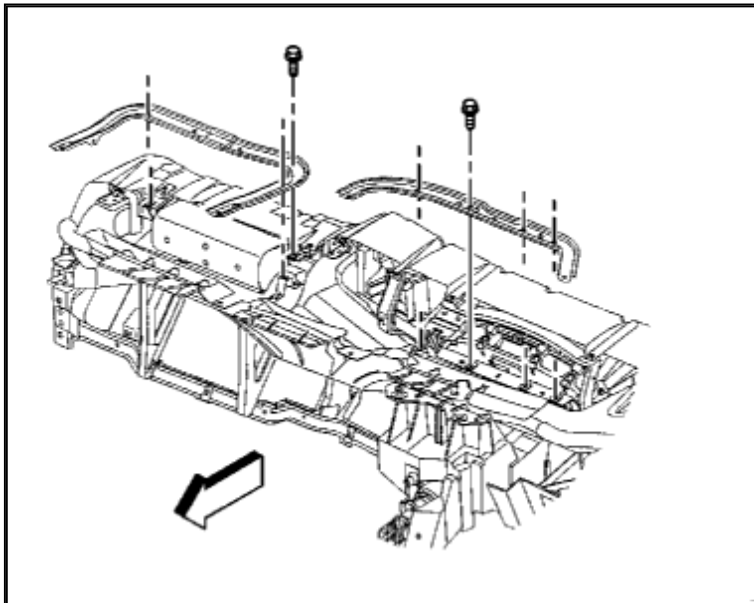




Zoom

Sized for Print

19. Remove the I/P assembly retaining nuts (4) and bolts (3).
20. Remove all harness hold down retainers from the I/P assembly.
21. Remove the I/P assembly from the vehicle.

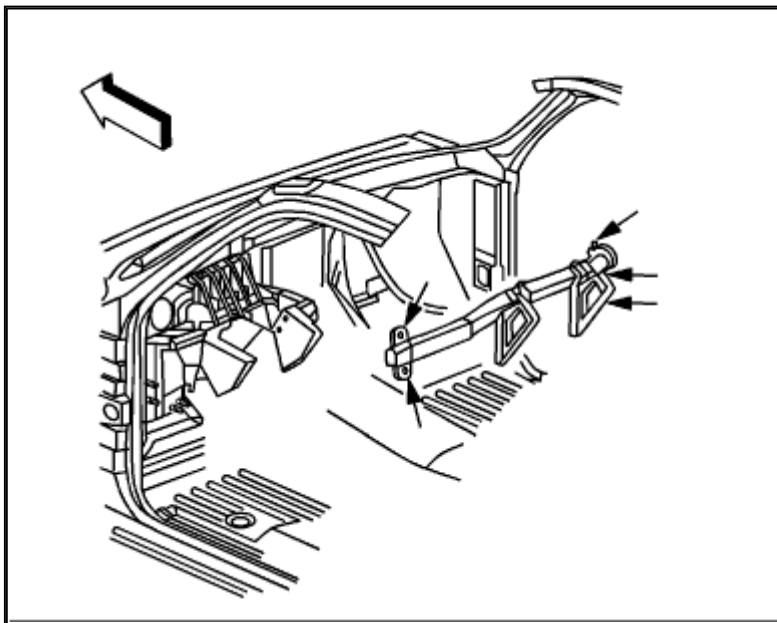


Zoom

Sized for Print

22. Remove the I/P upper brackets.
23. Disconnect all the electrical connectors from the wiring harness junction block.
24. Remove the transfer case control module from the bracket, if equipped.
25. Remove the antenna cable from the cross car duct.
26. Remove the cross car duct.
27. Remove the amplifier, if equipped.

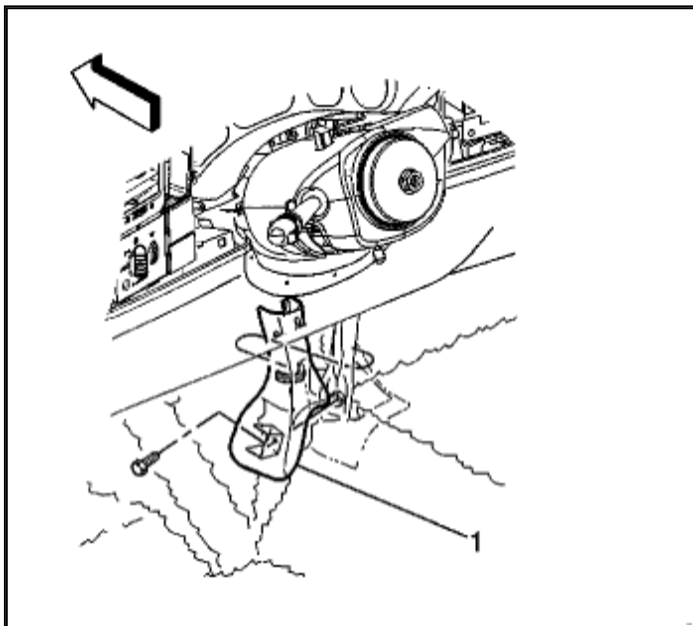
- 28. Separate the I/P harness from the carrier. Do not remove the I/P harness from the vehicle.



Zoom

Sized for Print

- 29. If replacing the HVAC module, remove the right side of the carrier from the vehicle to gain access to the module.

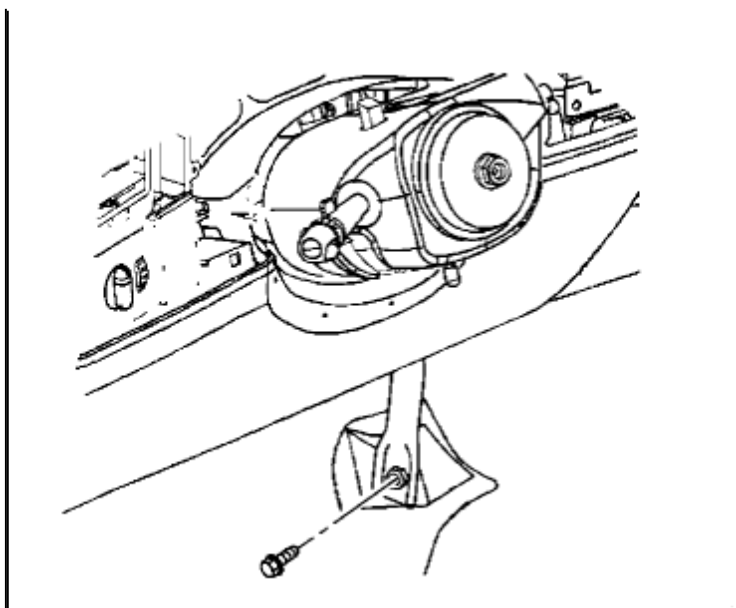


Zoom

Sized for Print

- 30. Remove the I/P center support bracket bezel (1).

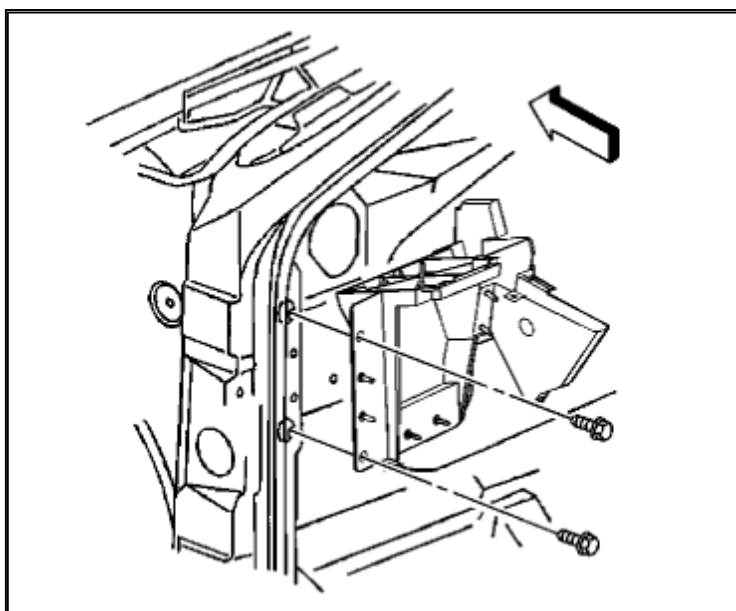




Zoom

Sized for Print

31. Remove the I/P center support bracket bolt. **IMPORTANT:** Remove all of the parts of the I/P carrier assembly from the vehicle as a unit.

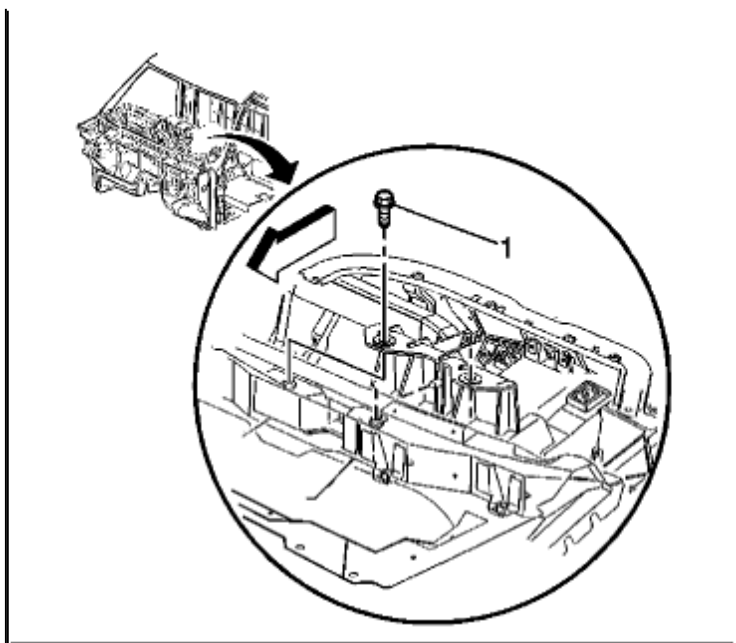


Zoom

Sized for Print

32. Remove the I/P carrier retaining bolts. The left side is shown, the right side is similar.

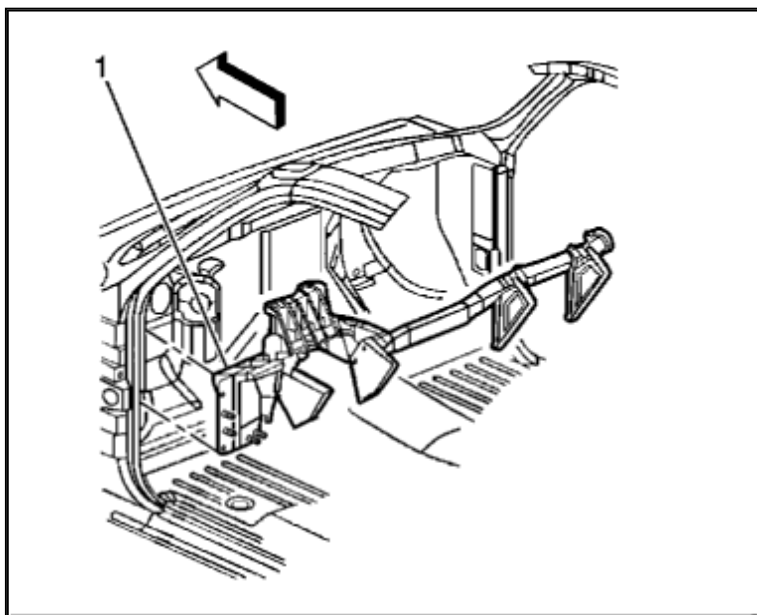




Zoom

Sized for Print

33. Remove the I/P carrier top bolts (1).



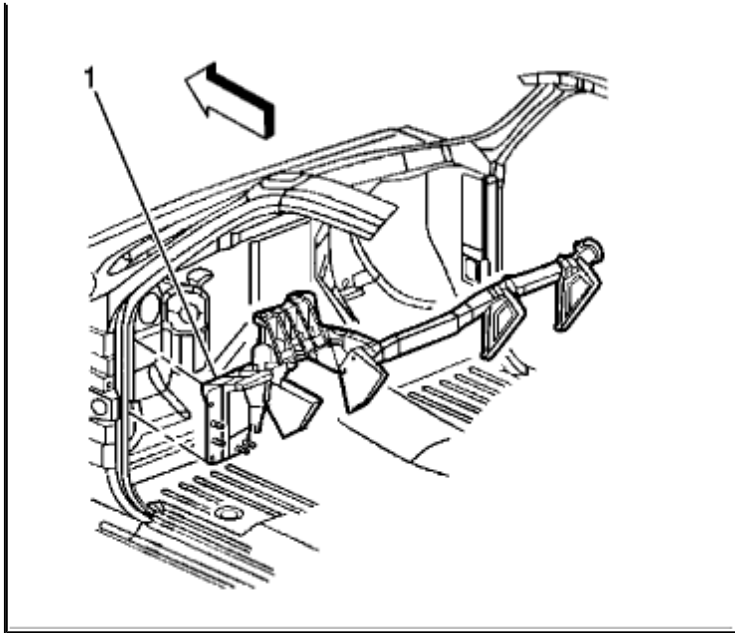
Zoom

Sized for Print

34. Remove the I/P carrier (1) from the vehicle.

INSTALLATION PROCEDURE

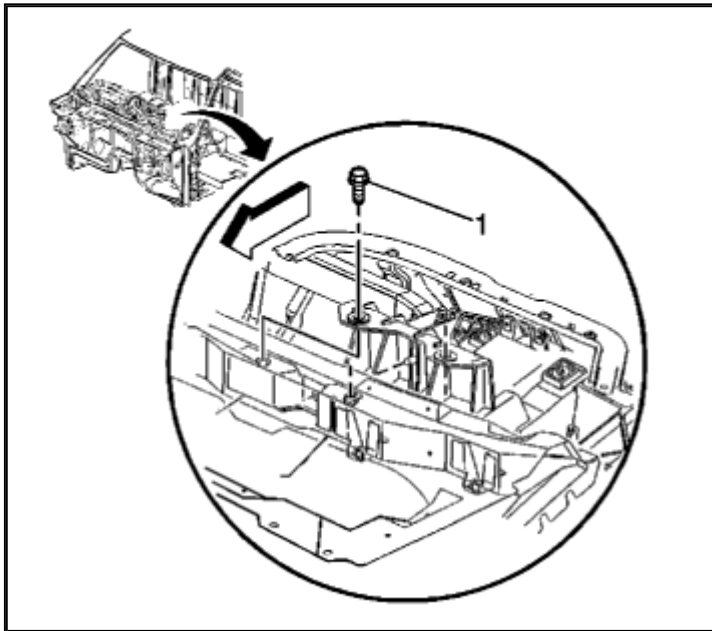




Zoom

Sized for Print

1. Position the I/P carrier (1) in the vehicle.

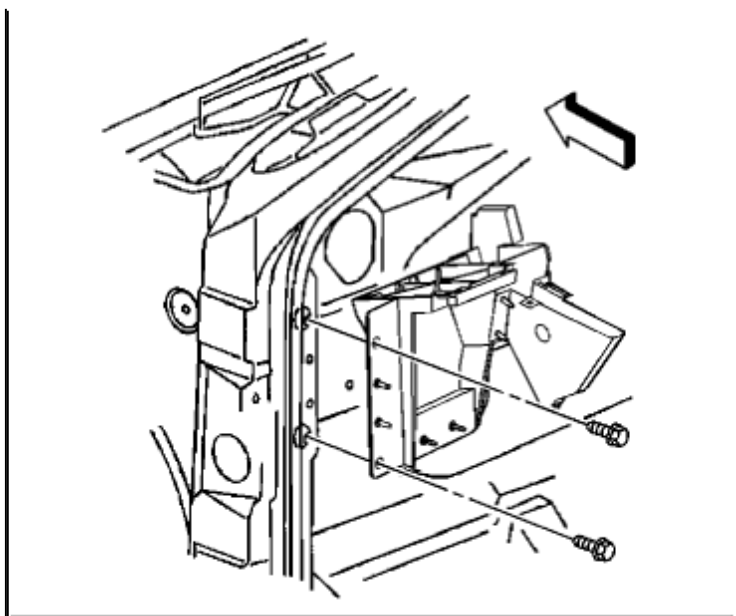


Zoom

Sized for Print

2. Install the I/P carrier top bolts (1). **NOTE:** Refer to Fastener Notice in Service Precautions. **Tighten** Tighten the bolts to **50 N.m (37 lb ft)** .

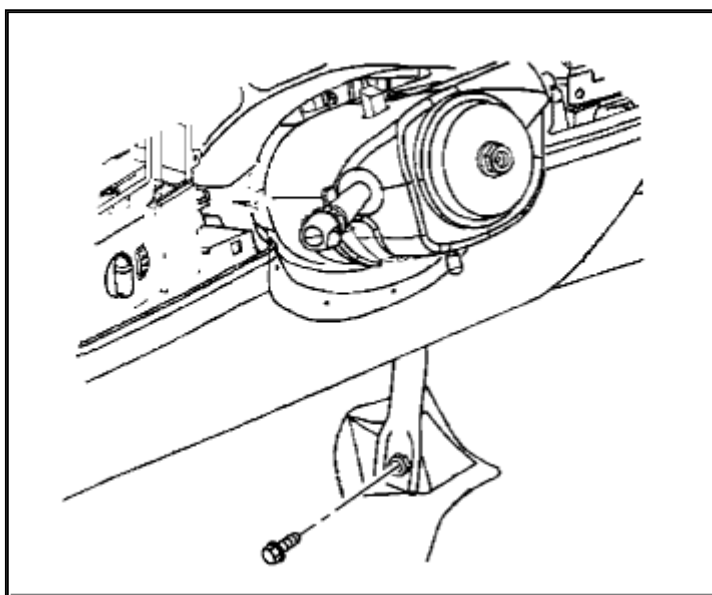




Zoom

Sized for Print

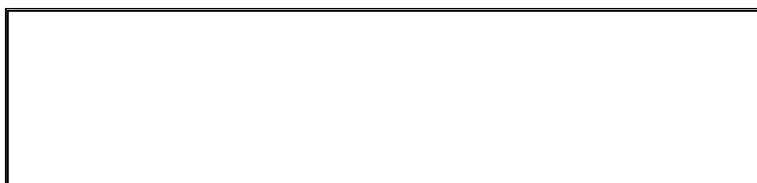
3. Install the I/P carrier retaining bolts. The left side is shown, the right is similar. **Tighten** Tighten the bolts to **50 N.m (37 lb ft)** .

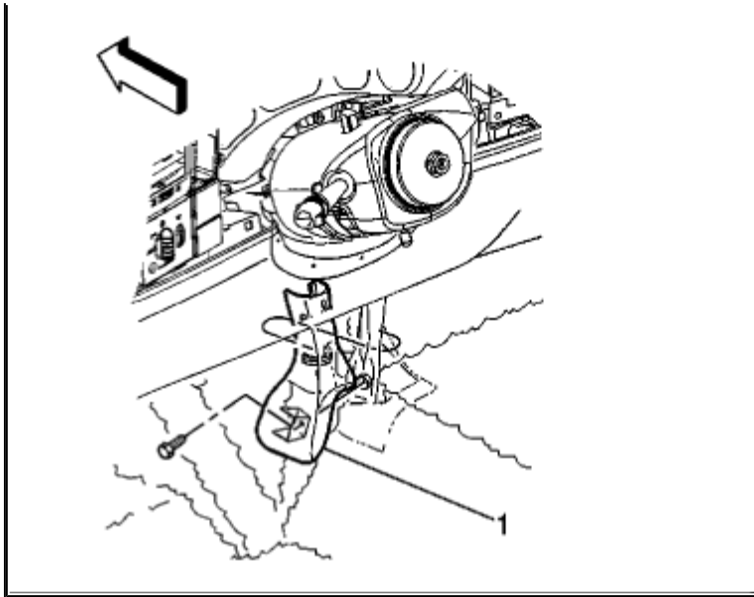


Zoom

Sized for Print

4. Install the I/P center support bracket bolt. **Tighten** Tighten the bolt to **25 N.m (18 lb ft)** .

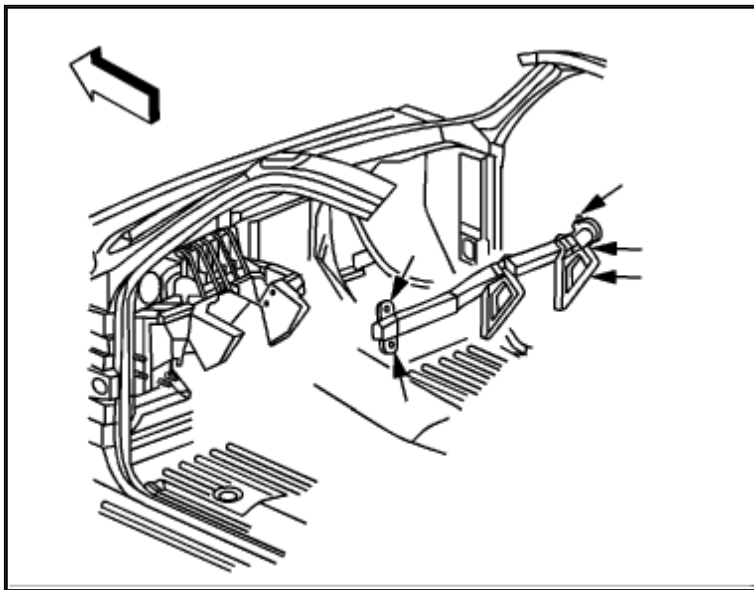




Zoom

Sized for Print

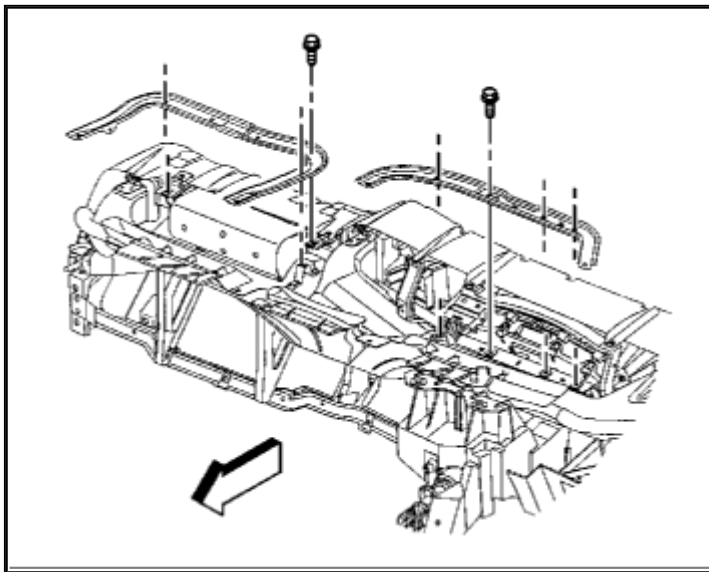
5. Install the I/P center support bracket bezel (1).



Zoom

Sized for Print

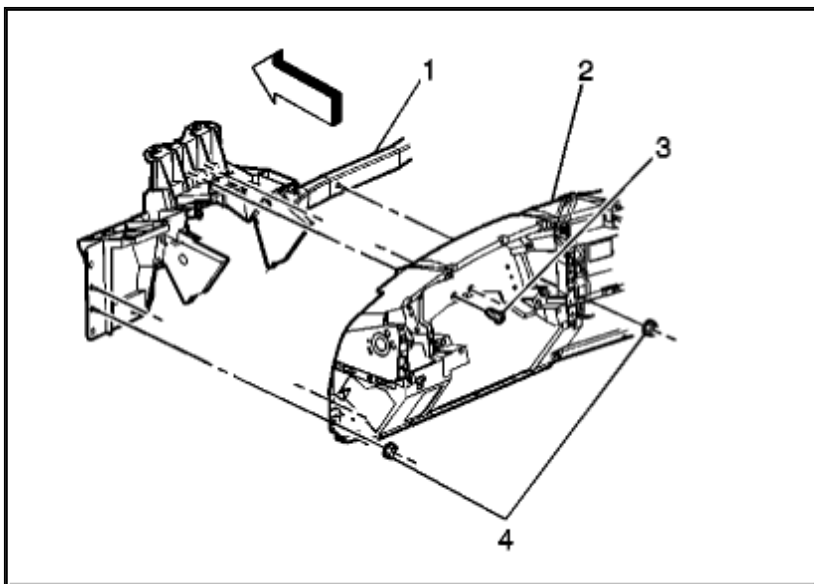
6. Install the right side of the carrier to the vehicle, if the HVAC module was removed.
7. Install the retaining bolts. **Tighten** Tighten the bolts to **50 N.m (37 lb ft)** .
8. Attach the I/P harness to the carrier.
9. Install the amplifier, if equipped.
10. Install the cross car duct.
11. Install the antenna cable to the cross car duct.
12. Install the transfer case control module to the bracket, if equipped.
13. Connect all of the electrical connectors to the wiring harness junction block.



Zoom

Sized for Print

14. Install the I/P upper brackets. **Tighten** Tighten the retaining bolts to **2 N.m (18 lb in)**.
15. Install the I/P assembly to the vehicle.



Zoom

Sized for Print

16. Install the I/P assembly retaining bolts (3) and nuts (4). Ensure the wire harness is routed to all of the openings. **Tighten** Tighten the retaining bolts and nuts to **9 N.m (80 lb in)**.
17. Install the harness hold down retainers to the I/P assembly.
18. Install the harness to the I/P.
19. Install both front window air duct to the I/P assembly.
20. Install the I/P cluster assembly.
21. Install the park brake release lever to the I/P.

22. Install the data link connector to the I/P.
23. Install the remote control door lock receiver module, if equipped.
24. Install the CIM, if equipped.
25. Install the steering column.
26. Install the left air louver housing.
27. Install the accessory switch housing.
28. Install the HVAC control.
29. Install the radio.
30. Install the passenger side airbag module.
31. Install the lower [trim panel](#).
32. Install the driver side knee bolster.
33. Connect the negative battery cable.
34. Install the center console, if equipped.
35. Install the I/P [trim panel](#).

© 2010 ALLDATA LLC. All rights reserved.
[Terms of Use](#)