

Select Vehicle | New TSBs | Technician's Reference

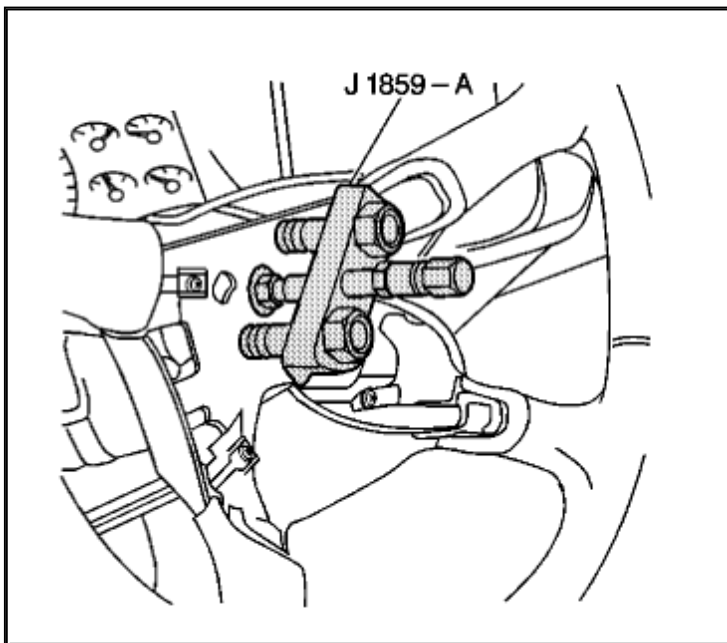
Component Search:

OK

Conversion Calculator

2003 Cadillac Truck Escalade V8-6.0L VIN N[Vehicle Level](#) → [Steering and Suspension](#) → [Steering](#) → [Steering Column](#) → [Service and Repair](#) → [Steering Wheel Replacement](#) ←**Steering Wheel Replacement**[Notes](#)**STEERING WHEEL REPLACEMENT****TOOLS REQUIRED**J 1859-A [Steering Wheel](#) Puller**REMOVAL PROCEDURE**

1. Disable the supplemental inflatable restraint (SIR) system. Refer to SIR Disabling and Enabling Zone 3 in Restraint Systems.
2. Remove the inflator module.
3. Remove the horn switch.
4. Make an alignment mark in order to note the relationship of the [steering wheel](#) to the [steering shaft](#).
5. Remove the [steering wheel](#) nut.



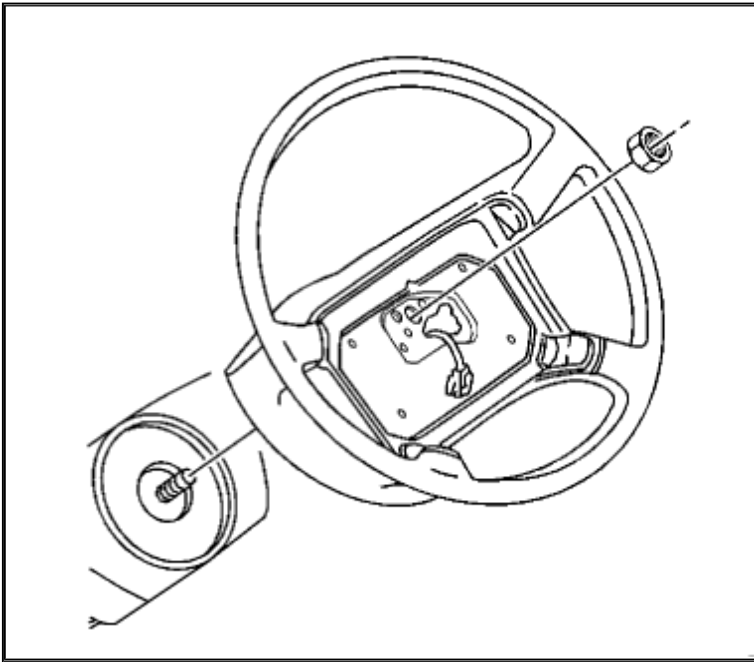
Zoom

Sized for Print

6. Remove the [steering wheel](#), using J 1859-A.

INSTALLATION PROCEDURE

1. Align the marks made during the removal of the [steering shaft](#) and the [steering wheel](#).



Zoom

Sized for Print

2. Install the [steering wheel](#) onto the [steering shaft](#).
3. Install the [steering wheel](#) nut to the [steering shaft](#). **NOTE:** Refer to Fastener Notice in Service Precautions. **Tighten** Tighten the nut to **40 N.m (29 lb ft)**.
4. Install the horn switch.
5. Install the inflator module.
6. Enable the SIR system. Refer to SIR Disabling and Enabling Zone 3 in Restraint Systems.