

2003 Cadillac Truck Escalade V8-6.0L VIN N

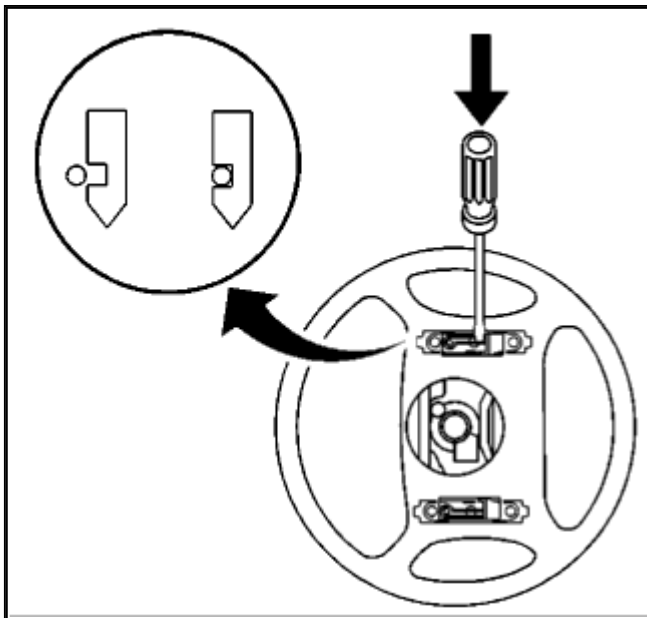
[Vehicle Level](#) → [Restraint Systems](#) → [Air Bag Systems](#) → [Air Bag](#) → [Service and Repair](#) → [Inflatable Restraint Steering Wheel Module Replacement](#) ←

Inflatable Restraint Steering Wheel Module Replacement[Notes](#)**REMOVAL PROCEDURE**

1. Disable the SIR system. Refer to SIR Disabling and Enabling Zone 3.

CAUTION:

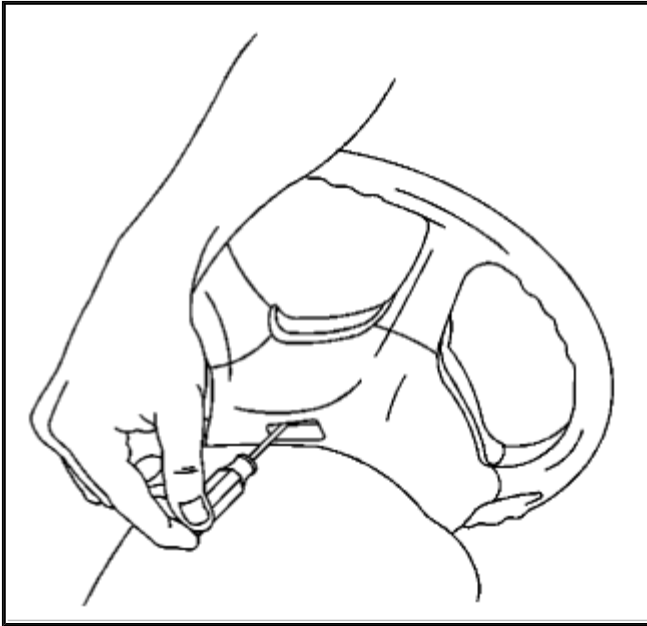
- Refer to **SIR Caution in Service Precautions.**
 - Refer to **SIR Inflator Module Handling and Storage Caution in Service Precautions .**
2. Turn the ignition switch to the ON position in order to unlock the steering wheel.
 3. Turn the steering wheel **90 degrees** so the side of the SIR module is at the **12 o'clock** position in order to gain access to the access holes behind the steering wheel.



Zoom

Sized for Print

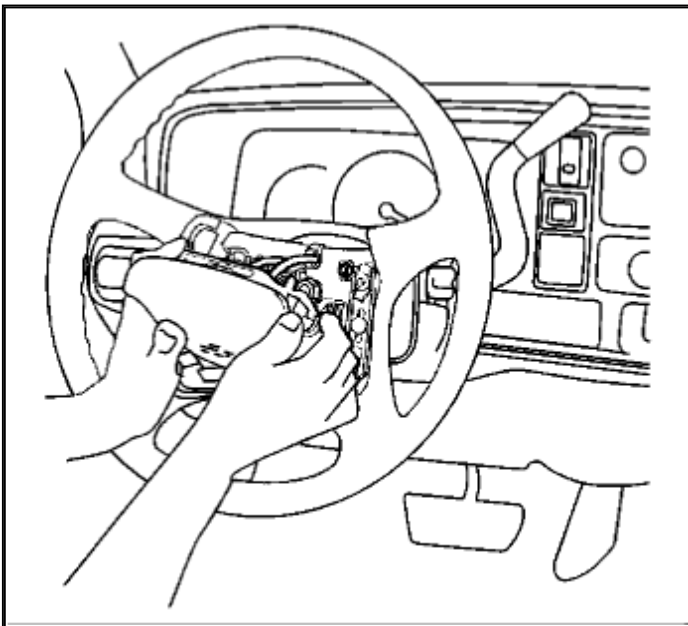
4. Insert a flat-bladed tool into each access hole and push the leaf spring in order to release the notched pin that retains the inflator module.



Zoom

Sized for Print

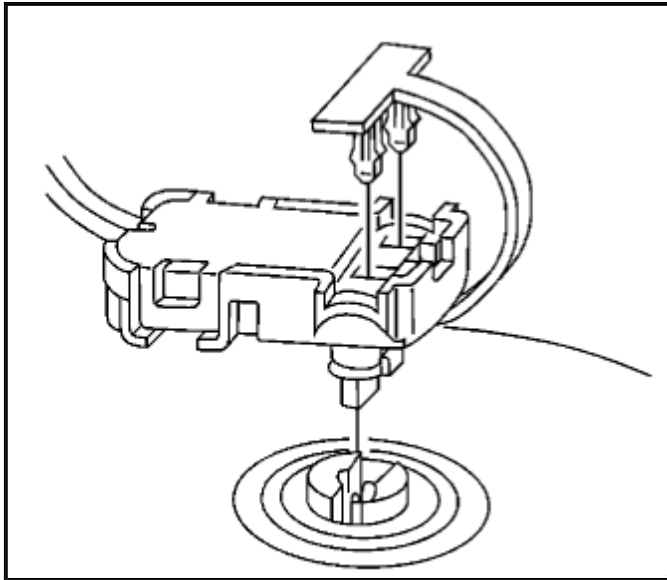
5. Turn the steering wheel **180 degrees** in order to gain access to the remaining access holes.
6. Insert a flat-bladed tool into the remaining access holes and push the leaf spring to release the notched pin that retains the inflator module.



Zoom

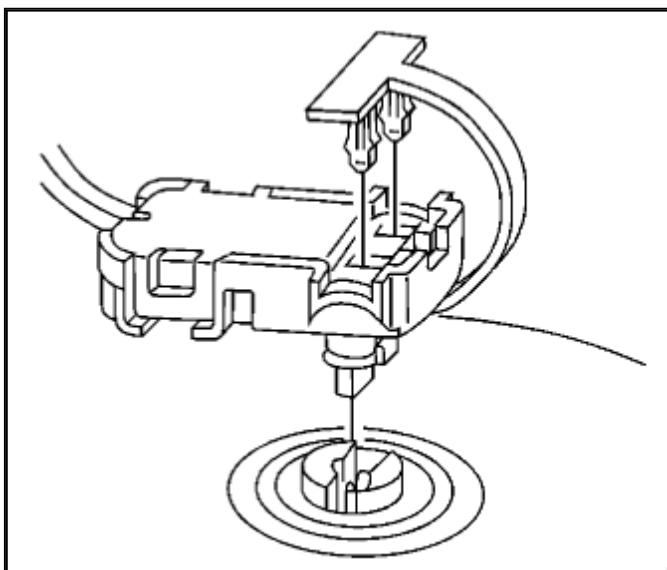
Sized for Print

7. Tilt the top of the inflator module rearward in order to gain access to the SIR wiring.
8. Disconnect the SIR lead wire from the clip on the inflator module.
9. Disconnect the SIR lead wire from the clip on the steering wheel.



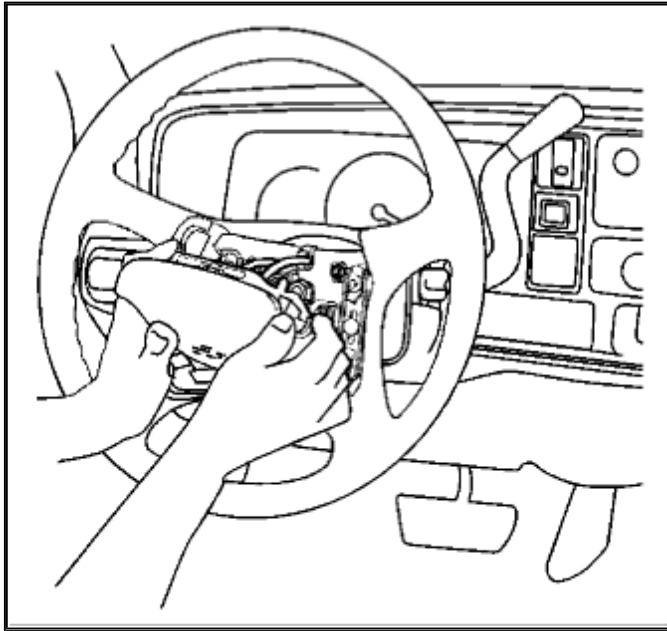
10. Disconnect the connector position assurance (CPA) retainer.
11. Disconnect the electrical connector.
12. Remove the inflator module from the vehicle. **CAUTION: Refer to SIR Inflator Module Handling and Storage Caution in Service Precautions .**
13. Fully deploy the module before disposal. If the module was replaced under warranty, fully deploy and dispose of the module after the required retention period.

INSTALLATION PROCEDURE



1. Connect the SIR electrical connector.
2. Connect the CPA retainer to the SIR connector.

3. Install the SIR lead wire to the clip on the steering wheel.
4. Install the SIR lead wire to the clip on the inflator module.



Zoom

Sized for Print

5. Press the inflator module into the steering wheel firmly enough that the module engages and latches the notched pins in the leaf springs.
IMPORTANT: Ensure that the SIR wires do not get pinched during installation of the inflator module.
6. Rotate the steering wheel back into the straight position.
7. Enable the SIR system. Refer to SIR Disabling and Enabling Zone 3.
8. Connect the battery negative cable.

© 2010 ALLDATA LLC. All rights reserved.

[Terms of Use](#)