

[Select Vehicle](#) | [New TSBs](#) | [Technician's Reference](#)

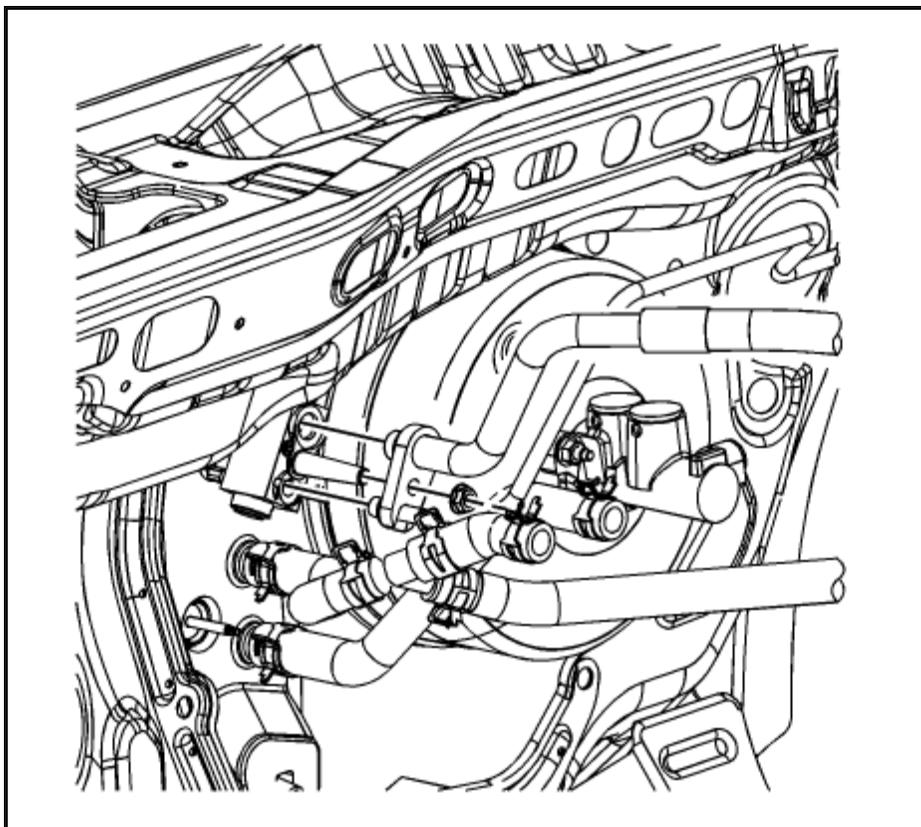
Component Search:

OK

[Conversion Calculator](#)**2006 Chevy Truck Equinox FWD V6-3.4L VIN F**[Vehicle Level](#) → [Heating and Air Conditioning](#) → [Housing Assembly HVAC](#) → [Service and Repair](#) → [HVAC Module Assembly Replacement](#) ←**HVAC Module Assembly Replacement**[Notes](#)**HVAC MODULE ASSEMBLY REPLACEMENT****TOOLS REQUIRED**

J 39400-A Halogen Leak Detector

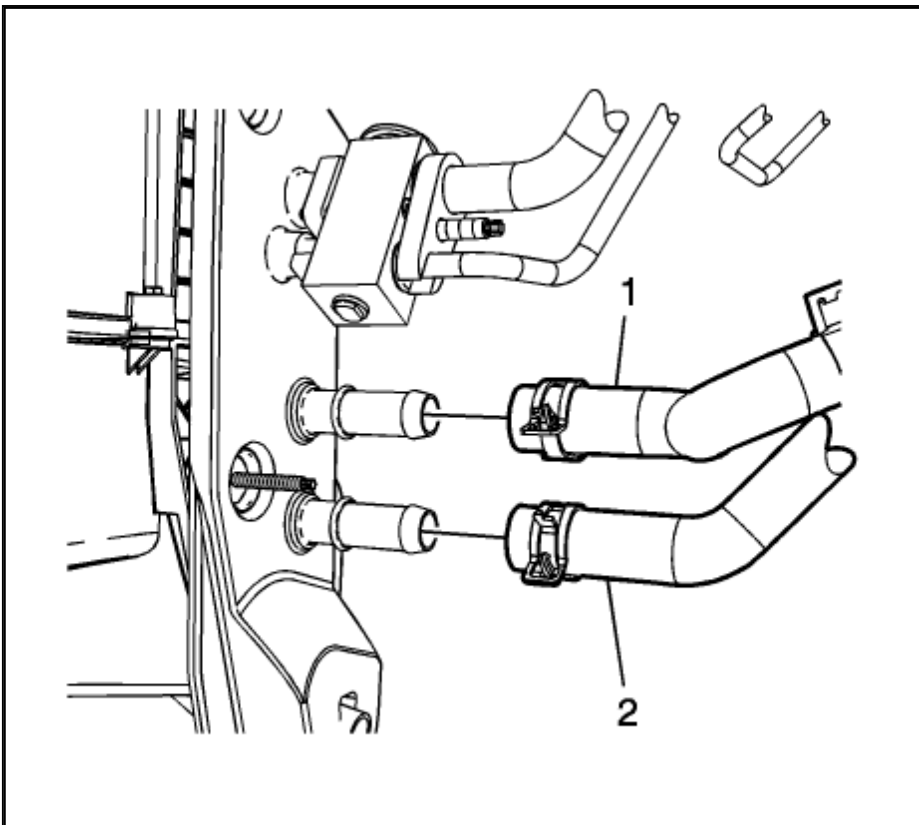
1. Disable the frontal and curtain air bags. Refer to SIR Disabling and Enabling Zone 2 , SIR Disabling and Enabling Zone 3 , SIR Disabling and Enabling Zone 5 , and SIR Disabling and Enabling Zone 6.
2. Recover the [refrigerant](#). Refer to Refrigerant Recovery and Recharging.
3. Drain the engine coolant. Refer to Draining and Filling Cooling System (Static Fill) Draining and Filling Cooling System (GE 47716 Fill).



Zoom

Sized for Print

4. Remove the evaporator outlet hose and liquid line nut from the thermal expansion valve (TXV).
5. Remove the evaporator outlet hose from the TXV.
6. Remove and discard the sealing washer from the evaporator outlet hose.
7. Remove the evaporator outlet hose and liquid line from the TXV.
8. Remove and discard the sealing washer from the liquid line.
9. Install a protective caps to the evaporator outlet hose and the liquid line to prevent contamination and desiccant saturation.

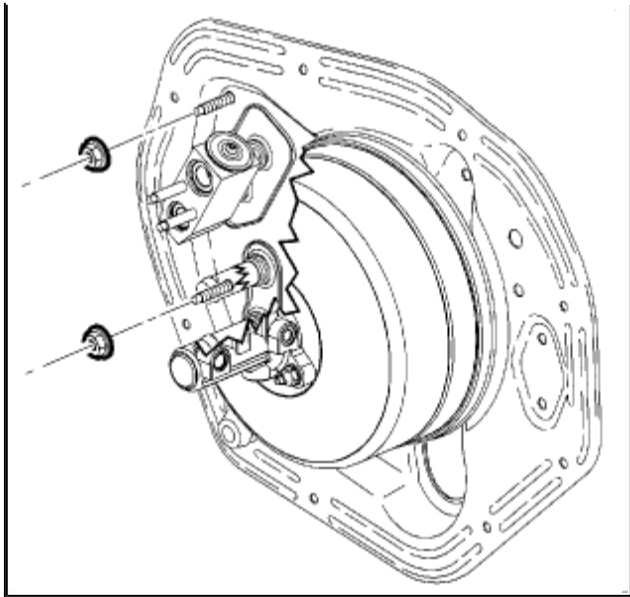


Zoom

Sized for Print

10. Reposition the heater outlet hose clamp at the [heater core](#).
11. Remove the heater outlet hose from the [heater core](#).
12. Reposition the heater inlet hose clamp at the [heater core](#).
13. Remove the heater inlet hose at the [heater core](#).
14. Plug the [heater core](#) and the [evaporator core](#) with clean towels to prevent spillage when the HVAC module is removed.

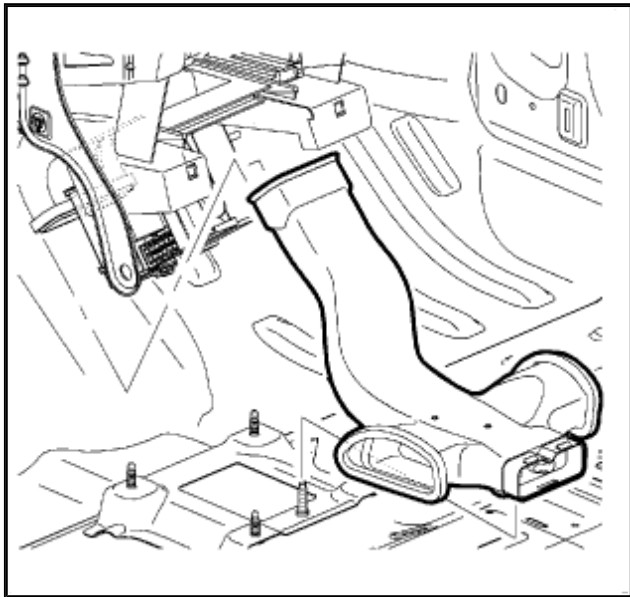




Zoom

Sized for Print

15. Remove the HVAC module seal nuts from the front of dash.
16. Remove the instrument panel (I/P) retainer.
17. Remove the shift control bracket.

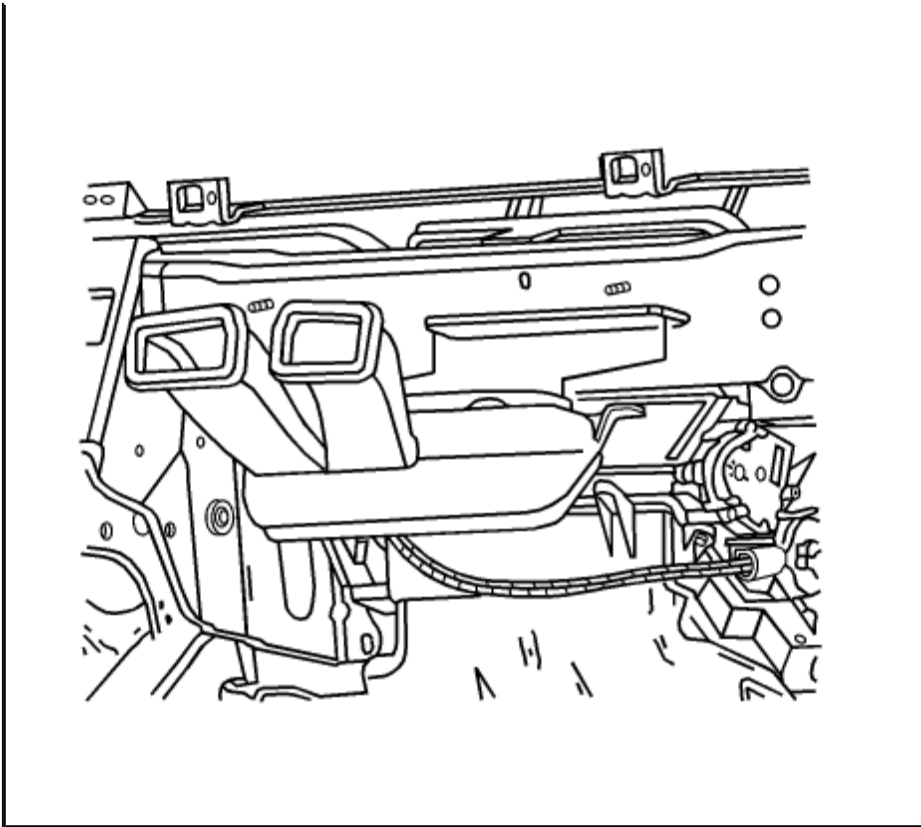


Zoom

Sized for Print

18. Remove the center floor air outlet duct by sliding the duct forward then up at the rear.



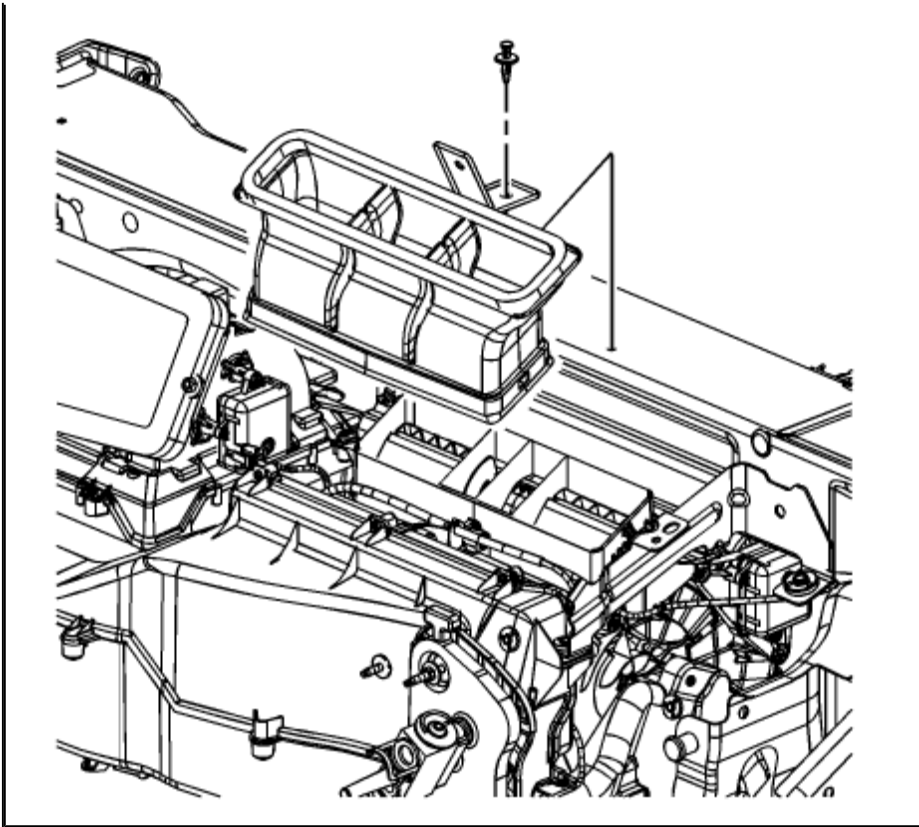


Zoom

Sized for Print

19. Remove the center I/P air outlet duct retainers from the instrument panel tie bar.
20. Remove the center I/P air outlet duct from the instrument panel tie bar.
21. Remove the instrument panel tie bar.
22. Disconnect the [blower motor](#) electrical connector from the I/P wire harness.
23. Disconnect the [blower motor resistor](#) electrical connector from the I/P wire harness.
24. Disconnect the HVAC module electrical connector from the I/P wire harness.



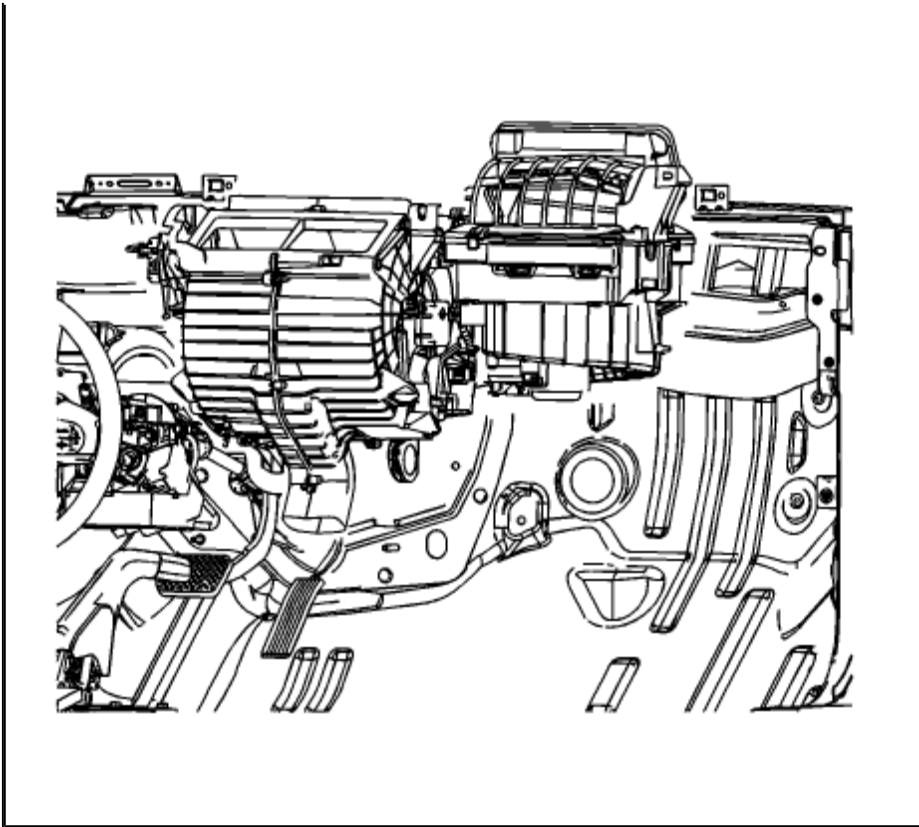


Zoom

Sized for Print

25. Remove the defroster duct retainer from the instrument panel tie bar.
26. Remove the defroster duct from the HVAC module.
27. Disconnect the I/P wire harness clips from the HVAC module.





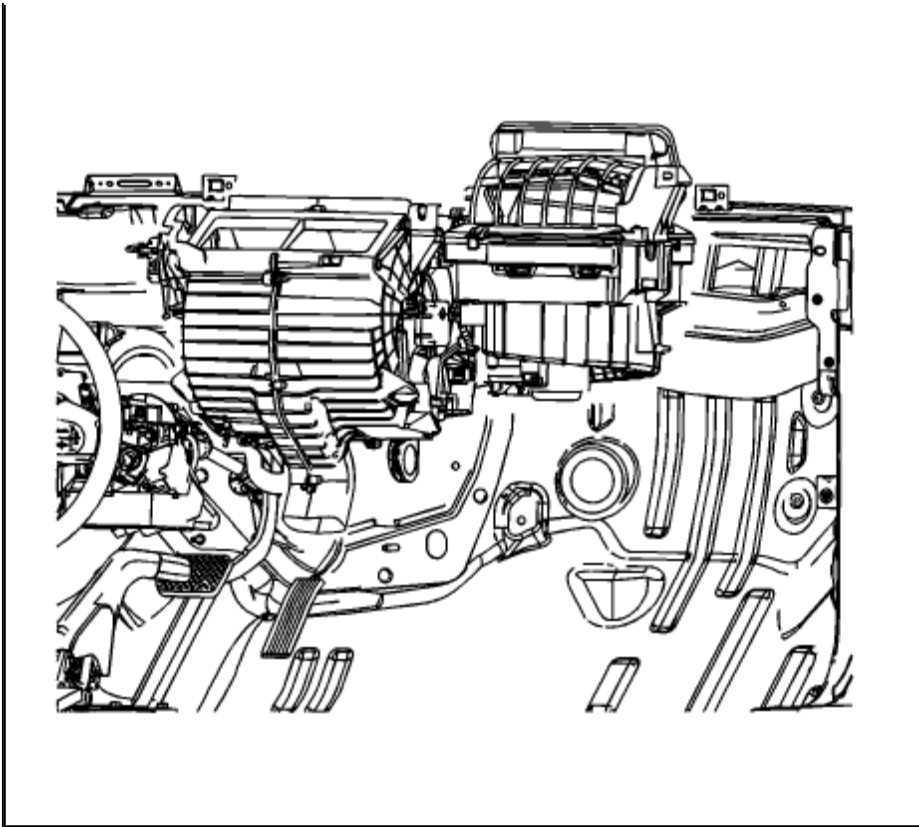
Zoom

Sized for Print

28. Remove the HVAC module from the vehicle.

INSTALLATION PROCEDURE



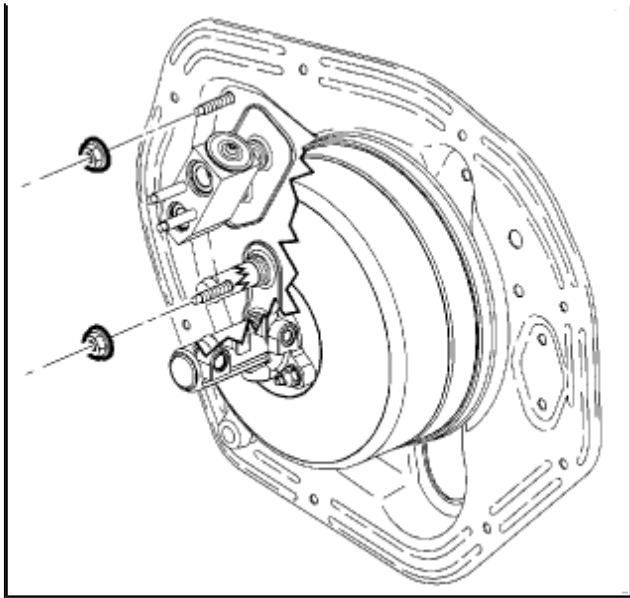


Zoom

Sized for Print

1. Inspect the front of dash seal for proper alignment. **IMPORTANT:** Make sure the HVAC module seals are flush and even as they meet their mating surfaces. This will reduce the chance of leaks and ensure proper fit.
2. Inspect the seal mating surfaces to ensure there are no obstructions.
3. Position the HVAC module in the vehicle.
4. Install, but do not tighten, the seal nuts to the front of dash.
5. Install the instrument panel tie bar.

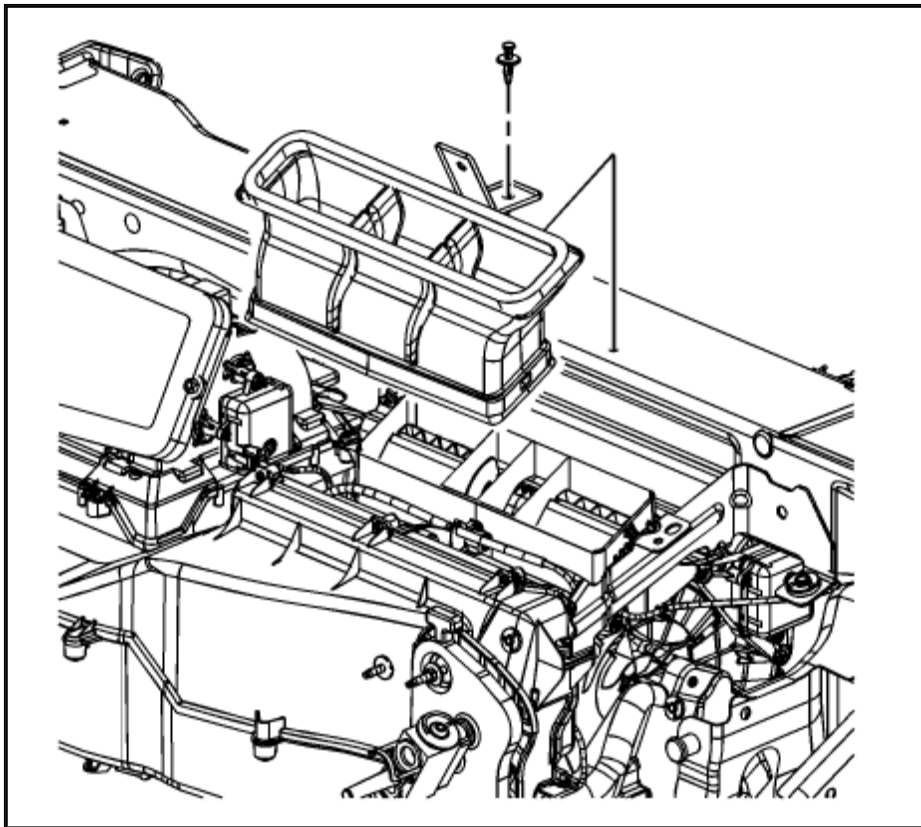




Zoom

Sized for Print

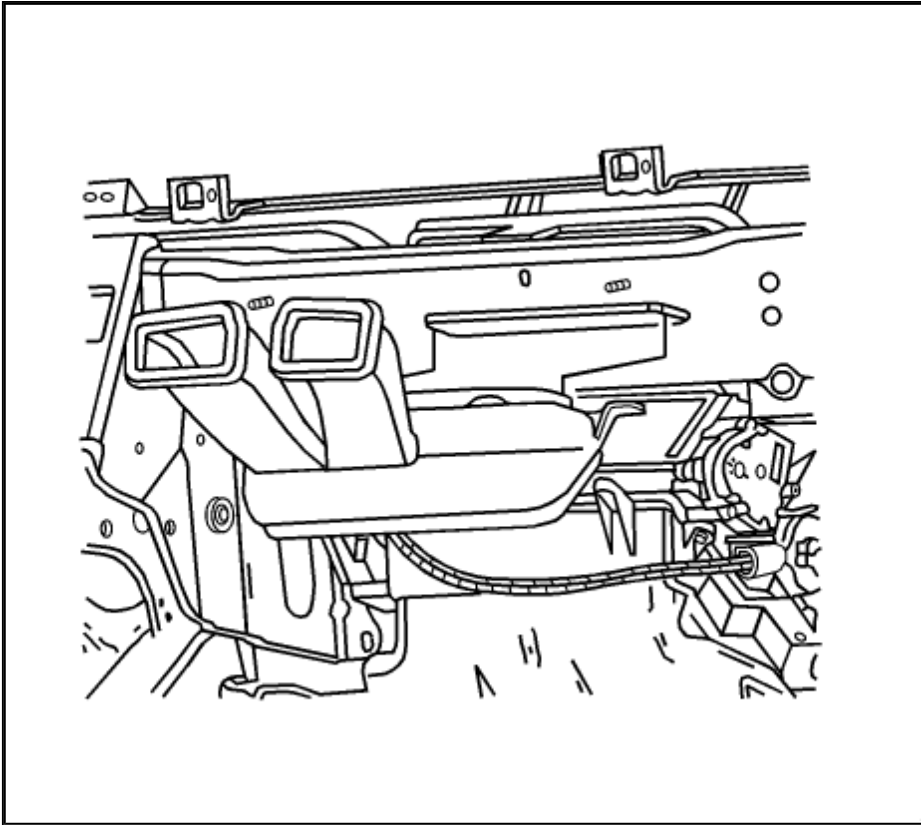
6. Tighten the HVAC module seal nuts to the front of dash. Draw the HVAC module to the front of dash evenly by alternating between the seal nuts. Tighten the nuts to **8 N.m (71 lb in)** . **NOTE:** Refer to Fastener Notice. **IMPORTANT:** New front of dash seal nuts must be used to prevent leaks.



Zoom

Sized for Print

7. Install the defroster duct to the HVAC module.
8. Install the defroster duct retainer to the instrument panel tie bar.
9. Connect the I/P wire harness clips to the HVAC module.
10. Connect the [blower motor](#) electrical connector to the I/P wire harness.
11. Connect the [blower motor resistor](#) electrical connector to the I/P wire harness.
12. Connect the HVAC module electrical connector to the I/P wire harness.

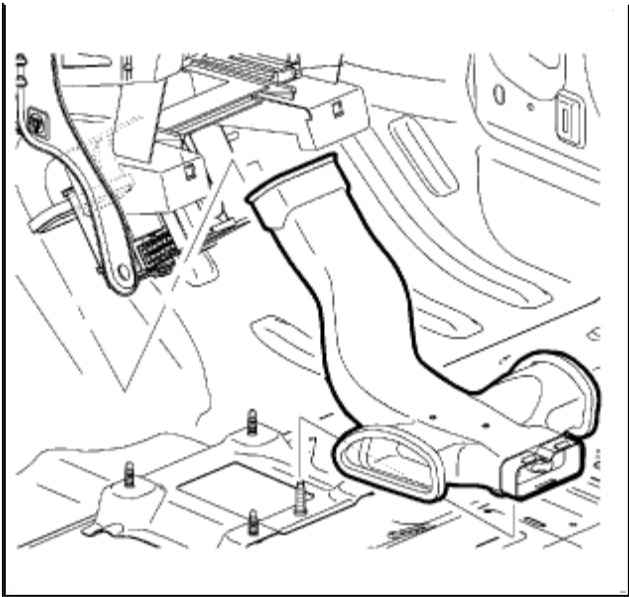


Zoom

Sized for Print

13. Install the center I/P duct to the instrument panel tie bar.
14. Install the center I/P duct retainers to the instrument panel tie bar.

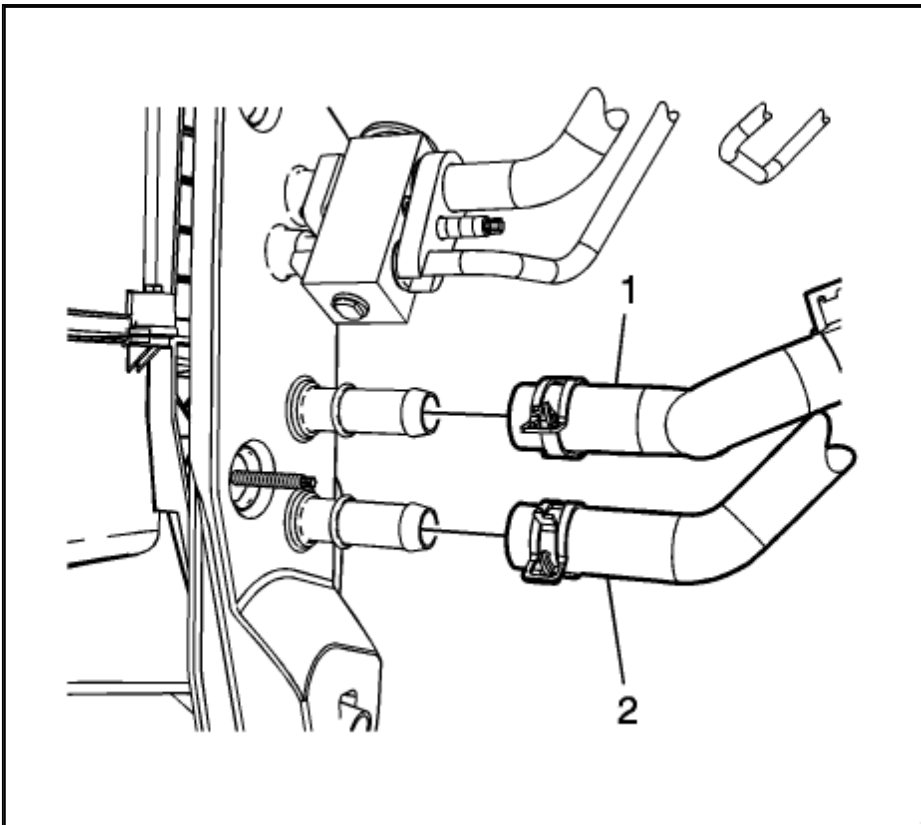




Zoom

Sized for Print

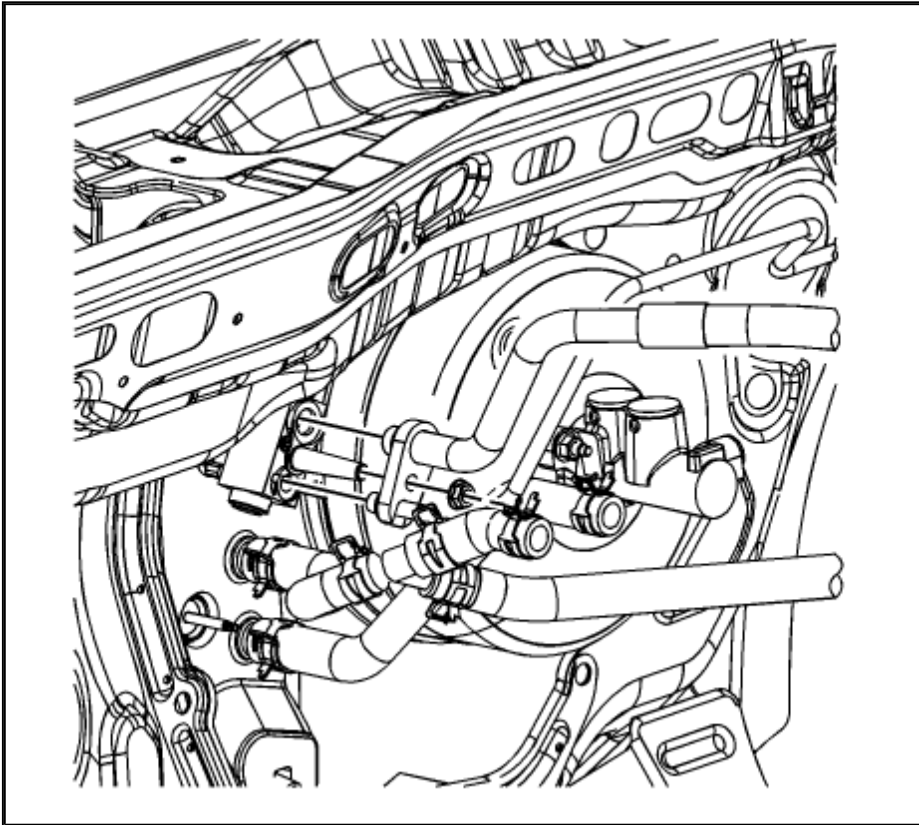
15. Install the center floor air outlet by sliding forward onto the front floor air outlet then down and rearward over the rear floor air outlet.
16. Install the shift control bracket.
17. Install the I/P retainer.



Zoom

Sized for Print

18. Install the heater inlet hose to the [heater core](#).
19. Install the heater inlet hose clamp to the [heater core](#).
20. Install the heater outlet hose to [heater core](#) outlet.
21. Install the heater outlet hose clamp to the [heater core](#).

[Zoom](#)[Sized for Print](#)

22. Ensure the mating surfaces are clean and free of debris, and install new seal washers to the evaporator outlet hose and the liquid line. Refer to Sealing Washer Replacement.
23. Install the evaporator outlet hose and the liquid line to the TXV.
24. Install the evaporator outlet hose and liquid line nut to the TXV. Tighten the nut to **20 N.m (15 lb ft)**.
25. Enable the frontal and curtain air bags. Refer to SIR Disabling and Enabling Zone 2 , SIR Disabling and Enabling Zone 3 , SIR Disabling and Enabling Zone 5 , and SIR Disabling and Enabling Zone 6.
26. Fill the coolant. Refer to Draining and Filling Cooling System (Static Fill) Draining and Filling Cooling System (GE 47716 Fill).
27. Evacuate and charge the A/C system. Refer to [Refrigerant](#) Recovery and Recharging.
28. Test the affected A/C joints for leaks using J 39400-A.

© 2010 ALLDATA LLC. All rights reserved.

[Terms of Use](#)